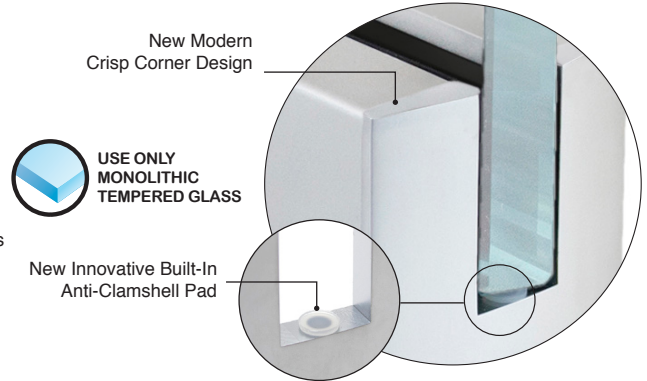
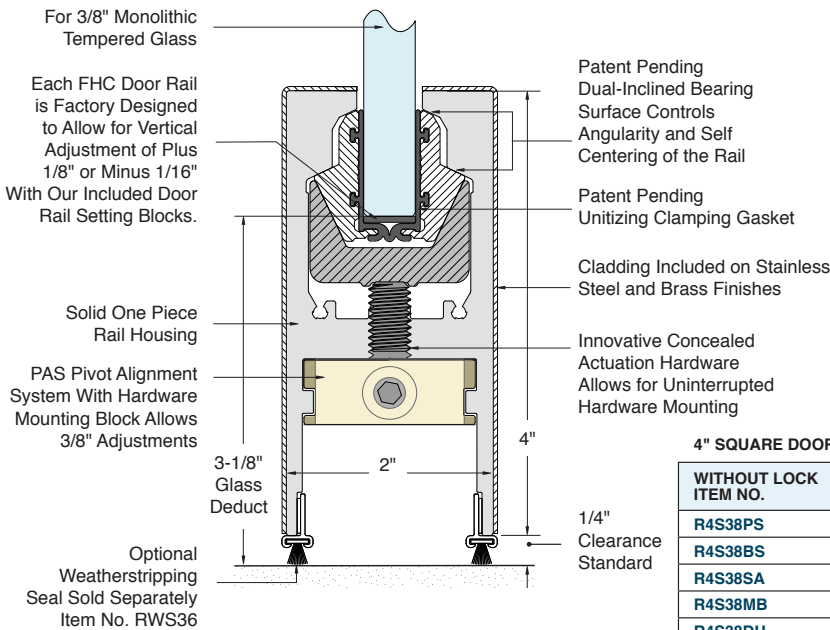


FHC-ADVANCE SERIES FRAMELESS GLASS ENTRANCE SYSTEM

Advance HERC-DOOR[™] Rail

4" Square Door Rail 3/8" Monolithic Tempered Glass

- Patent Pending UNITIZING GASKET / Dual-Inclined Control Surfaces
- Easiest and Fastest Rail to Install in the Industry
- New Modern Crisp Corner Design
- For 3/8" Monolithic Tempered Glass
- Class 1 Anodizing UV Stable Finishes That Will Not Fade
- New Improved Pivot Alignment System "PAS" Included With Each Rail
- Increased Glass Bite Improves Holding Strength and Aesthetics
- Solid One Piece Aluminum Housing
- State of the Art Solid Forged Brass Plated End Caps With Premium Finishes
- New Innovative Anti-Clamshell Pad End Cap
- Available With or Without Lock
- Available In a Wide Range of Architectural Finishes



4" SQUARE DOOR RAILS 35-3/4" LENGTH - STOCK PRODUCTS

WITHOUT LOCK ITEM NO.	WITH LOCK ITEM NO.	DESCRIPTION
R4S38PS	R4S38PSL	Square Door Rail 35-3/4" Long Polished Stainless Steel
R4S38BS	R4S38BSL	Square Door Rail 35-3/4" Long Brushed Stainless Steel
R4S38SA	R4S38SAL	Square Door Rail 35-3/4" Long Satin Anodized
R4S38MB	R4S38MBL	Square Door Rail 35-3/4" Long Matte Black (Powder Coat)
R4S38DU	R4S38DUL	Square Door Rail 35-3/4" Long Dark Bronze Anodized

CUSTOM LENGTH 4" SQUARE DOOR RAILS - SPECIFICATION AS SUPPLIED BY CUSTOMER

WITHOUT LOCK ITEM NO.	WITH LOCK ITEM NO.	DESCRIPTION
R4S38PSC	R4S38PSLC	Custom Square Door Rail Length Polished Stainless Steel
R4S38BSC	R4S38BSLC	Custom Square Door Rail Length Brushed Stainless Steel
R4S38SAC	R4S38SALC	Custom Square Door Rail Length Satin Anodized
R4S38MBC	R4S38MBLC	Custom Square Door Rail Length Matte Black (Powder Coat)
R4S38DUC	R4S38DULC	Custom Square Door Rail Length Dark Bronze Anodized
R4S38PTC	R4S38PTLC	Custom Square Door Rail Length Custom Paint Color

PRODUCT INFO/SPECIFICATIONS:

- CSI Format Specifications are Available for Download
- End Caps are Included with Every Door Rail
- Door Rails With Locks are Supplied Prepped and Installed, Keyed Cylinders, and Thumbturns are Sold Separately
- FHC Follows GANA Guidelines for Maximum Door Height and Widths. Reference the FHC Herc-Door Sizing Guidelines.

CARE & CLEANING

Brushed Stainless Steel, Polished Stainless Steel or Class 1 Anodized Finishes should be cleaned with a foam spray cleaner, such as: FHC GW19 Ammonia Free Cleaner. GW19 cleaner will assist with removing fingerprints, grease and water splatter. GW19 cleaner will also preserve the durable factory finish and can be wiped with a clean, dry cloth. FHC Lint Free Shop Wipes FHC3255 are recommended. These high performance wipes maintain their strength wet or dry and will not scratch the surface.



For Technical Support
Call Toll Free in the U.S.
(888) 295-4531

