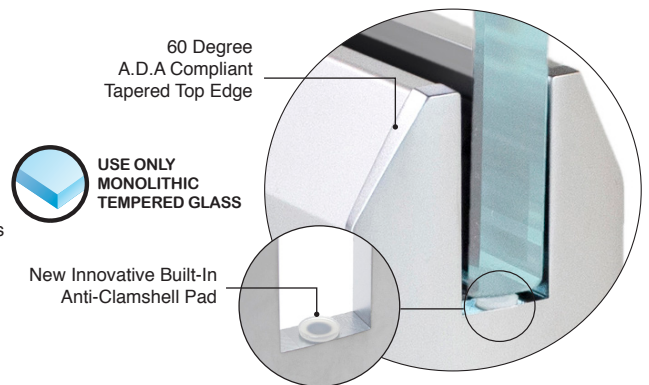
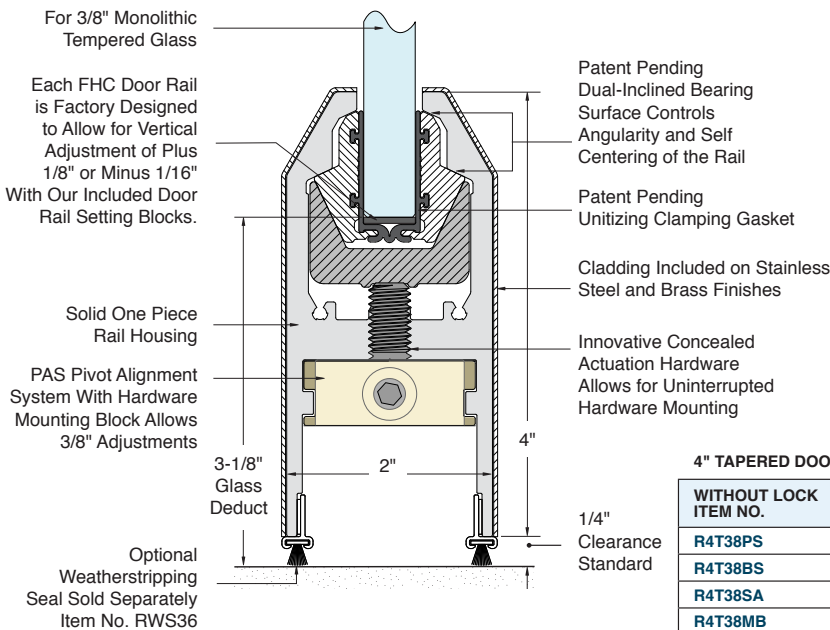


# FHC-ADVANCE SERIES FRAMELESS GLASS ENTRANCE SYSTEM

## Advance **HERC-DOOR** Rail

### 4" Tapered Door Rail 3/8" Monolithic Tempered Glass

- Patent Pending UNITIZING GASKET / Dual-Inclined Control Surfaces
- Easiest and Fastest Rail to Install in the Industry
- New Modern Crisp Corner Design
- For 3/8" Monolithic Tempered Glass
- Class 1 Anodizing UV Stable Finishes That Will Not Fade
- New Improved Pivot Alignment System "PAS" Included With Each Rail
- Increased Glass Bite Improves Holding Strength and Aesthetics
- Solid One Piece Aluminum Housing
- State of the Art Solid Forged Brass Plated End Caps With Premium Finishes
- New Innovative Anti-Clamshell Pad End Cap
- Available With or Without Lock
- Available In a Wide Range of Architectural Finishes



#### 4" TAPERED DOOR RAILS 35-3/4" LENGTH - STOCK PRODUCTS

WITHOUT LOCK ITEM NO.	WITH LOCK ITEM NO.	DESCRIPTION
R4T38PS	R4T38PSL	Tapered Door Rail 35-3/4" Long Polished Stainless Steel
R4T38BS	R4T38BSL	Tapered Door Rail 35-3/4" Long Brushed Stainless Steel
R4T38SA	R4T38SAL	Tapered Door Rail 35-3/4" Long Satin Anodized
R4T38MB	R4T38MBL	Tapered Door Rail 35-3/4" Long Matte Black (Powder Coat)
R4T38DU	R4T38DUL	Tapered Door Rail 35-3/4" Long Dark Bronze Anodized

#### CUSTOM LENGTH 4" TAPERED DOOR RAILS - SPECIFICATION AS SUPPLIED BY CUSTOMER

WITHOUT LOCK ITEM NO.	WITH LOCK ITEM NO.	DESCRIPTION
R4T38PSC	R4T38PSLC	Custom Tapered Door Rail Length Polished Stainless Steel
R4T38BSC	R4T38BSLC	Custom Tapered Door Rail Length Brushed Stainless Steel
R4T38SAC	R4T38SALC	Custom Tapered Door Rail Length Satin Anodized
R4T38MBC	R4T38MBLC	Custom Tapered Door Rail Length Matte Black (Powder Coat)
R4T38DUC	R4T38DULC	Custom Tapered Door Rail Length Dark Bronze Anodized
R4T38PTC	R4T38PTLC	Custom Tapered Door Rail Length Custom Paint Color

#### PRODUCT INFO/SPECIFICATIONS:

- CSI Format Specifications are Available for Download
- End Caps are Included with Every Door Rail
- Door Rails With Locks are Supplied Prepped and Installed, Keyed Cylinders, and Thumbturns are Sold Separately
- FHC Follows GANA Guidelines for Maximum Door Height and Widths. Reference the FHC Herc-Door Sizing Guidelines.

#### CARE & CLEANING

Brushed Stainless Steel, Polished Stainless Steel or Class 1 Anodized Finishes should be cleaned with a foam spray cleaner, such as: FHC GW19 Ammonia Free Cleaner. GW19 cleaner will assist with removing fingerprints, grease and water splatter. GW19 cleaner will also preserve the durable factory finish and can be wiped with a clean, dry cloth. FHC Lint Free Shop Wipes FHC3255 are recommended. These high performance wipes maintain their strength wet or dry and will not scratch the surface.



For Technical Support  
Call Toll Free in the U.S.  
**(888) 295-4531**

