

# FHC-ADVANCE SERIES FRAMELESS GLASS ENTRANCE SYSTEM

## Advance **HERC-DOOR** Rail

FRAMELESS HARDWARE CO.



### 4" Tapered Door Rail 5/8" or 11/16" Tempered Glass

- Patent Pending UNITIZING GASKET / Dual-Inclined Control Surfaces
- Easiest and Fastest Rail to Install in the Industry
- New Modern Crisp Corner Design
- For 5/8" Monolithic Tempered and 11/16" Laminated Tempered Glass
- Class 1 Anodizing UV Stable Finishes That Will Not Fade
- New Improved Pivot Alignment System "PAS" Included With Each Rail
- Increased Glass Bite Improves Holding Strength and Aesthetics
- Solid One Piece Aluminum Housing
- State of the Art Solid Forged Brass Plated End Caps With Premium Finishes
- New Innovative Anti-Clamshell Pad End Cap
- Available With or Without Lock
- Available In a Wide Range of Architectural Finishes

For 5/8" Monolithic Tempered and 11/16" Ionoplast Laminated Glass

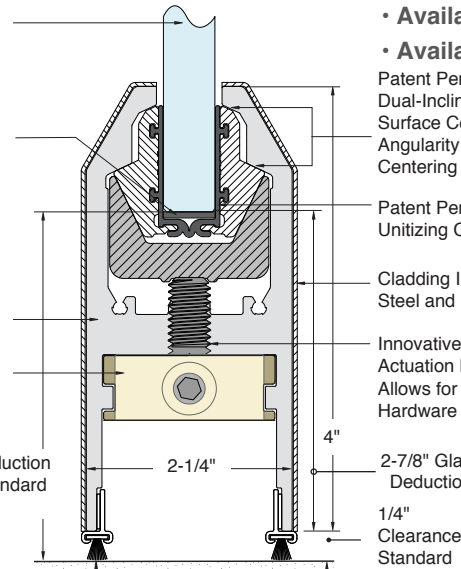
Each FHC Door Rail is Factory Designed to Allow for Vertical Adjustment of Plus 1/8" or Minus 1/16" With Our Included Door Rail Setting Blocks.

Solid One Piece Rail Housing

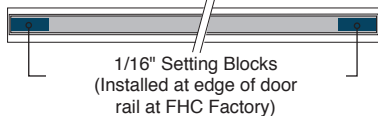
PAS Pivot Alignment System With Hardware Mounting Block Allows 3/8" Adjustments

3-1/8" Overall Deduction (Includes 1/4" Standard Clearance)

Optional Weatherstripping Seal Sold Separately Item No. RWS36



Door Rail Top View



Patent Pending Dual-Inclined Bearing Surface Controls Angularity and Self Centering of the Rail

Patent Pending Unitizing Clamping Gasket

Cladding Included on Stainless Steel and Brass Finishes

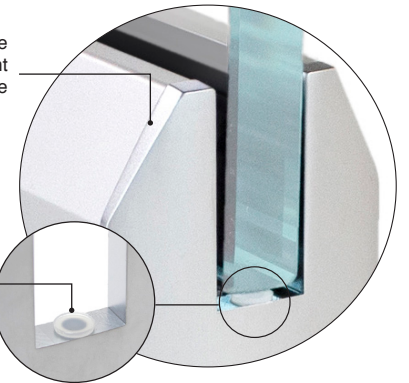
Innovative Concealed Actuation Hardware Allows for Uninterrupted Hardware Mounting

2-7/8" Glass Deduction

1/4" Clearance Standard

60 Degree A.D.A Compliant Tapered Top Edge

New Innovative Built-In Anti-Clamshell Pad



#### 4" TAPERED DOOR RAILS 35-3/4" LENGTH - STOCK PRODUCTS

WITHOUT LOCK ITEM NO.	WITH LOCK ITEM NO.	DESCRIPTION
R4T58PS	R4T58PSL	Tapered Door Rail 35-3/4" Long Polished Stainless Steel
R4T58BS	R4T58BSL	Tapered Door Rail 35-3/4" Long Brushed Stainless Steel
R4T58SA	R4T58SAL	Tapered Door Rail 35-3/4" Long Satin Anodized
R4T58MB	R4T58MBL	Tapered Door Rail 35-3/4" Long Matte Black (Powder Coat)
R4T58DU	R4T58DUL	Tapered Door Rail 35-3/4" Long Dark Bronze Anodized

#### CUSTOM LENGTH 4" TAPERED DOOR RAILS - SPECIFICATION AS SUPPLIED BY CUSTOMER

WITHOUT LOCK ITEM NO.	WITH LOCK ITEM NO.	DESCRIPTION
R4T58PSC	R4T58PSLC	Custom Tapered Door Rail Length Polished Stainless Steel
R4T58BSC	R4T58BSLC	Custom Tapered Door Rail Length Brushed Stainless Steel
R4T58SAC	R4T58SALC	Custom Tapered Door Rail Length Satin Anodized
R4T58MBC	R4T58MBLC	Custom Tapered Door Rail Length Matte Black (Powder Coat)
R4T58DUC	R4T58DULC	Custom Tapered Door Rail Length Dark Bronze Anodized
R4T58PTC	R4T58PTLC	Custom Tapered Door Rail Length Custom Paint Color

#### PRODUCT INFO/SPECIFICATIONS:

- CSI Format Specifications are Available for Download
- End Caps are Included with Every Door Rail
- Door Rails With Locks are Supplied Prepped and Installed, Keyed Cylinders, and Thumbturns are Sold Separately
- FHC Follows GANA Guidelines for Maximum Door Height and Widths. Reference the FHC Herc-Door Sizing Guidelines.

#### CARE & CLEANING

Brushed Stainless Steel, Polished Stainless Steel or Class 1 Anodized Finishes should be cleaned with a foam spray cleaner, such as: FHC GW19 Ammonia Free Cleaner. GW19 cleaner will assist with removing fingerprints, grease and water splatter. GW19 cleaner will also preserve the durable factory finish and can be wiped with a clean, dry cloth. FHC Lint Free Shop Wipes FHC3255 are recommended. These high performance wipes maintain their strength wet or dry and will not scratch the surface.



For Technical Support  
Call Toll Free in the U.S.  
**(888) 295-4531**

