

# FHC RD-SERIES ROUND TYPE RADIUS BASE

CLAMPS FOR 1/4" - 5/16" GLASS

ITEM NO. R706

DO NOT MEASURE / SCALE DRAWING  
USE DIMENSIONS SHOWN

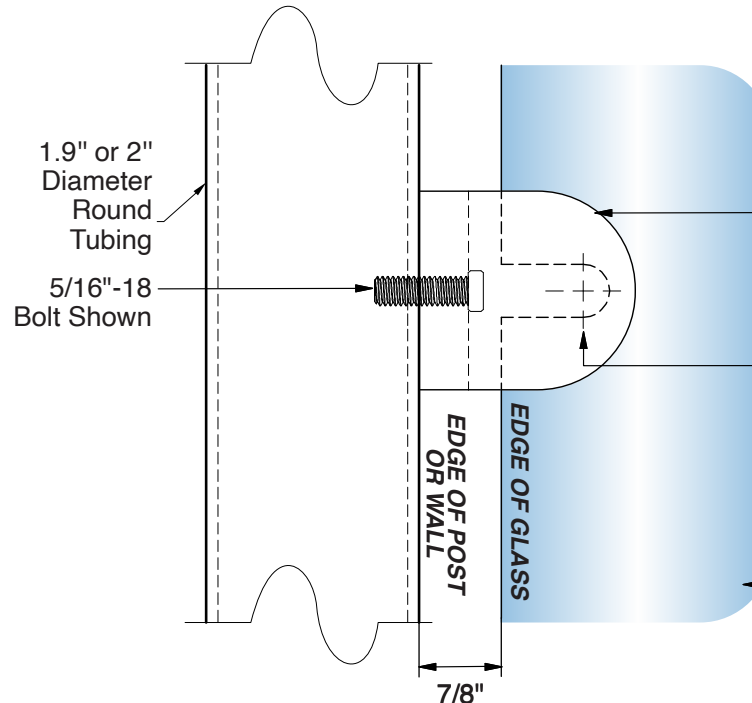
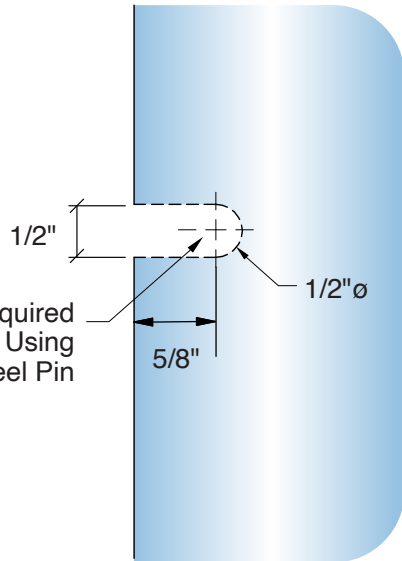


Use Monolithic Tempered Glass

OR



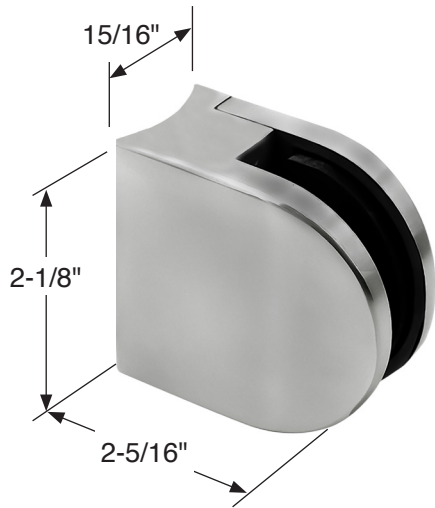
Use Laminated Tempered Glass



**IMPORTANT:**  
Measure from Finished Edge of Glass

FHC Round Glass Clamps

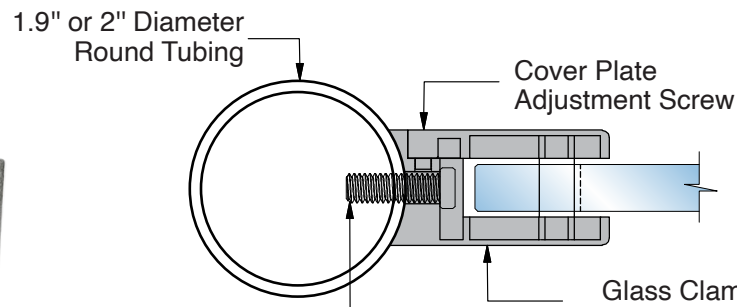
FHC's RD Series Glass Clamps include an optional removable internal pin that eliminates glass slippage. FHC recommends using a minimum of 1 pin on each opposing side of glass panel when no bottom support is used.



Front View



Rear View



Use Item No. **SBOLT** If Attaching To Stainless Steel or Aluminum Posts (Sold Separately)

Use Item No. **SLAG** If Attaching to Wood (Sold Separately)



For Technical Support  
Call Toll Free in the U.S.  
**(888) 295-4531**  
Email: [Railings@fhc-usa.com](mailto:Railings@fhc-usa.com)