

FHC RD-SERIES ROUND TYPE RADIUS BASE

GLASS CLAMPS FOR 1/2" - 9/16" GLASS

ITEM NO. R712

DO NOT MEASURE / SCALE DRAWING
USE DIMENSIONS SHOWN



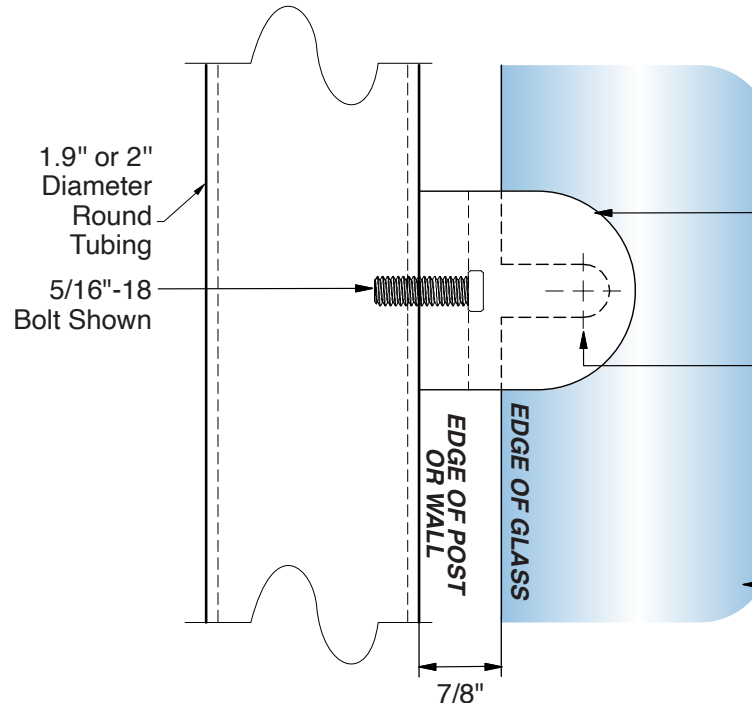
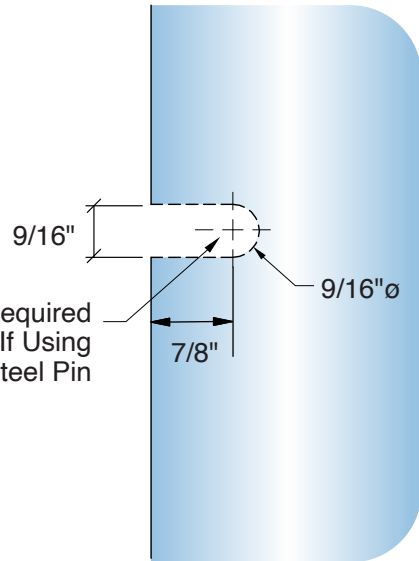
Use Monolithic Tempered Glass

OR



Use Laminated Tempered Glass

Notch Required In Glass If Using Provided Steel Pin

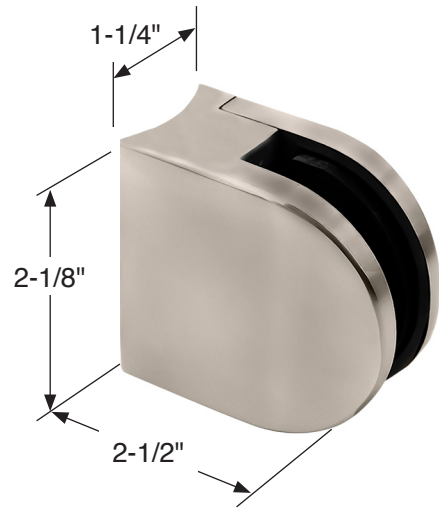


IMPORTANT:
Measure from Finished Edge of Glass

FHC Round Glass Clamps

FHC's RD Series Glass Clamps include an optional removable internal pin that eliminates glass slippage. FHC recommends using a minimum of 1 pin on each opposing side of glass panel when no bottom support is used.

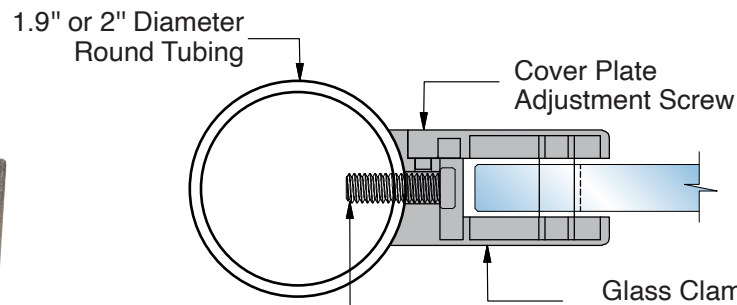
1/2" - 9/16" Glass



Front View



Rear View



Use Item No. **SBOLT** If Attaching To Stainless Steel or Aluminum Posts (Sold Separately)

Use Item No. **SLAG** If Attaching to Wood (Sold Separately)



For Technical Support
Call Toll Free in the U.S.
(888) 295-4531
Email: Railings@fhc-usa.com