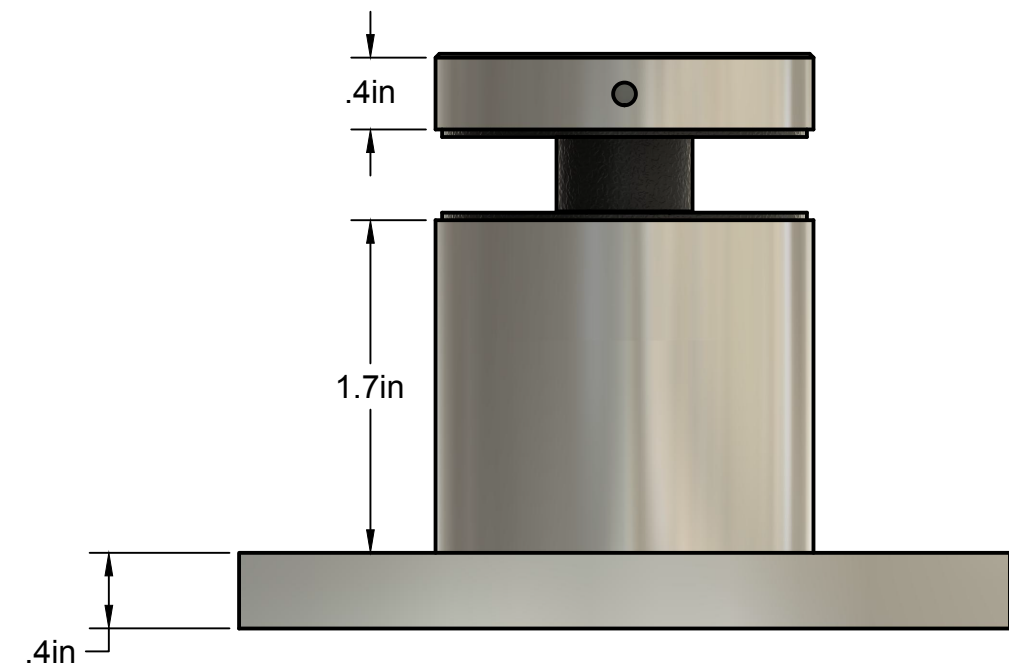


tested for  $\frac{11}{16}$ " and  $\frac{13}{16}$ " laminated glass  
 consult an engineer if using  $\frac{9}{16}$ " laminated glass  
 type 316 SS  
 $\text{Ø}\frac{3}{4}$ " glass hole



Project:	Railing Products and Mock Ups	
Title:	<b>S21-2048VELB</b>	
Description:		
	Scale:	1:1
	Date:	8/20/2019
	Drawn:	