

# FHC SQ-SERIES SQUARE TYPE FLAT BASE

GLASS CLAMPS FOR 1/2" - 9/16" GLASS

ITEM NO. S912

DO NOT MEASURE / SCALE DRAWING  
USE DIMENSIONS SHOWN



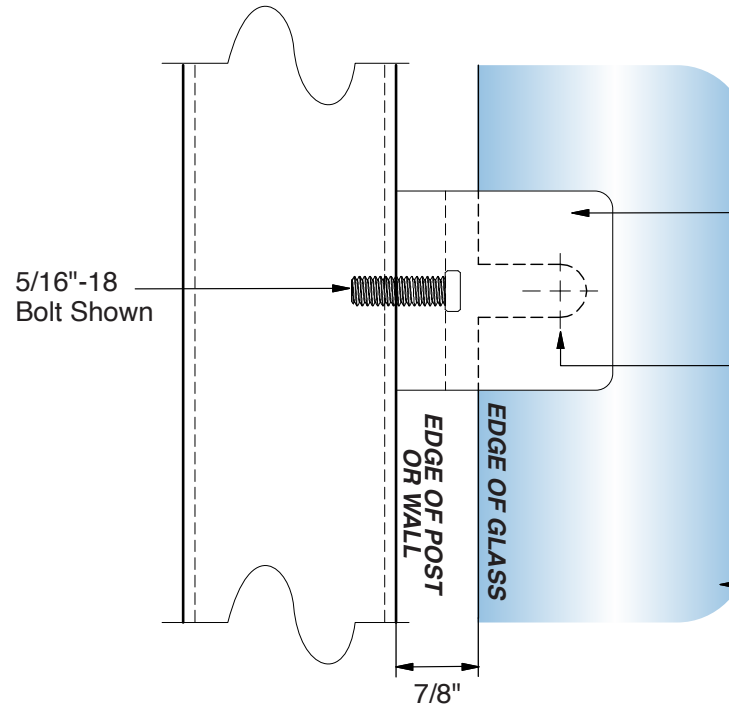
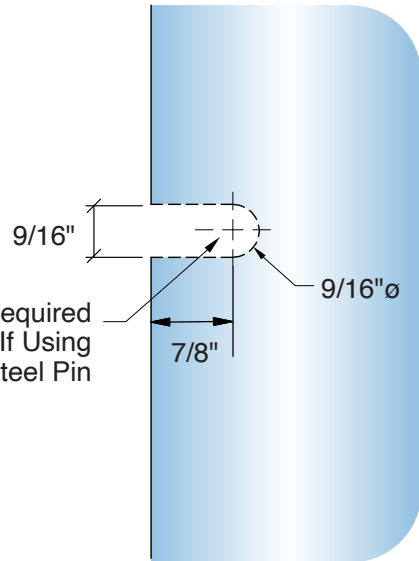
Use Monolithic Tempered Glass

OR



Use Laminated Tempered Glass

Notch Required In Glass If Using Provided Steel Pin



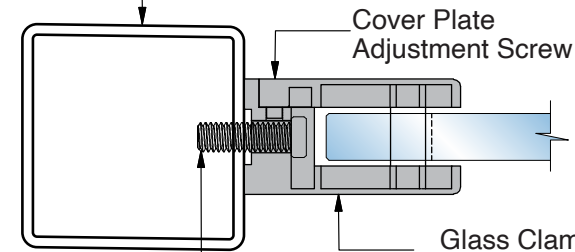
**IMPORTANT:**  
Measure from Finished Edge of Glass

FHC Square Glass Clamps

FHC's SQ Series Glass Clamps include an optional removable internal pin that eliminates glass slippage. FHC recommends using a minimum of 1 pin on each opposing side of glass panel when no bottom support is used.

1/2" - 9/16" Glass

Square Post

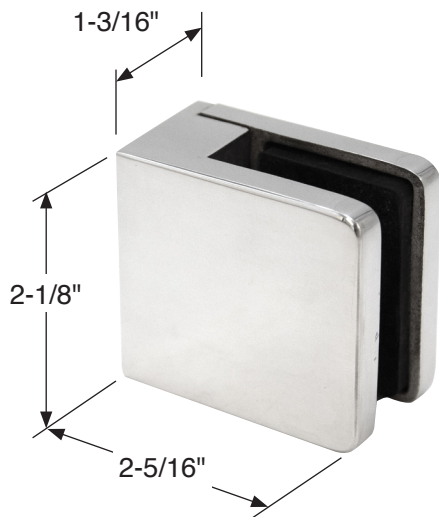


Use Item No. **SBOLT** If Attaching To Stainless Steel or Aluminum Posts (Sold Separately)

Use Item No. **SLAG** If Attaching to Wood (Sold Separately)



For Technical Support  
Call Toll Free in the U.S.  
**(888) 295-4531**  
Email: [Railings@fhc-usa.com](mailto:Railings@fhc-usa.com)



Exterior View



Interior View

**EXPERIENCE AND INNOVATION**