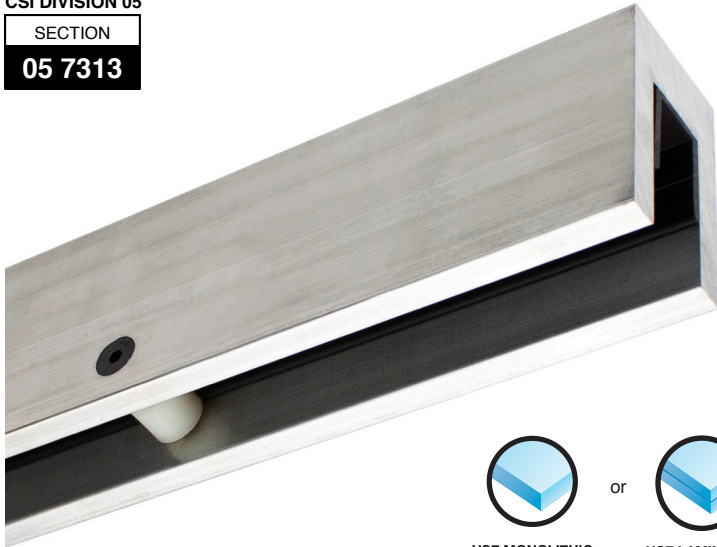


CSI DIVISION 05

SECTION

05 7313



USE MONOLITHIC TEMPERED GLASS

or



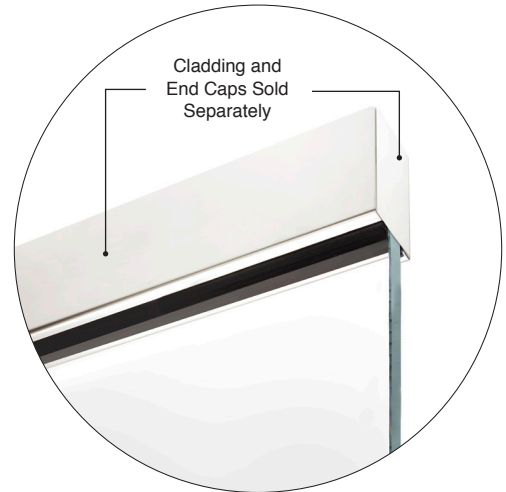
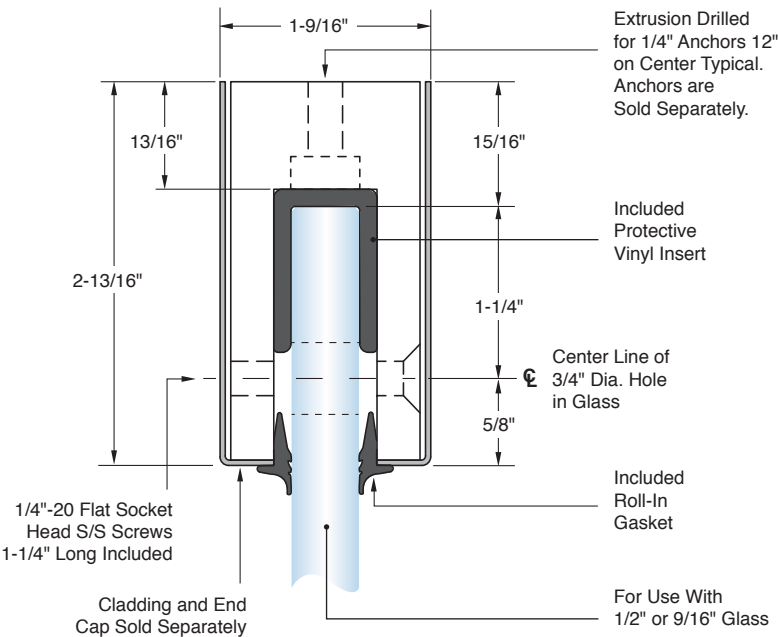
USE LAMINATED TEMPERED GLASS

Smoke Baffle

FHC 120" Long Aluminum Smoke Baffle For 1/2" and 9/16" Glass

Item No. **SB12C10**

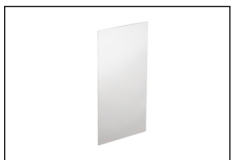
- 6063 - T52 Aluminum Alloy
 - Used to Create Unobtrusive Smoke Barriers
 - Helps Confine Smoke to a Specific Area
 - Required to Meet Building Codes in Some Regions
 - Used with 1/2" and 9/16" Tempered Glass
 - 120" Long Stock Lengths
 - Requires 3/4" Diameter Holes in Glass For Pinning, 12" on Center
 - FHC Smoke Baffle Includes Pinning Bolts, Nylon Grommets, Roll-In Gaskets and a Rigid Vinyl Glass Protective Insert
 - Cladding and End Caps Sold Separately
 - Custom Smoke Baffles Available
- Per Your Specifications, Contact**
railings@fhc-usa.com or (888) 295-4531



120" LONG CLADDING FOR WINDSCREEN/SMOKE BAFFLE

| ITEM NO. | FINISH |
|---------------|----------------------|
| SBC1BS | Brushed Stainless |
| SBC1PS | Polished Stainless |
| SBC1SA | Satin Anodized |
| SBC1DU | Dark Bronze Anodized |

Minimum Order: 1 Each.



END CAPS FOR WINDSCREEN/SMOKE BAFFLE

| ITEM NO. | FINISH |
|----------------|----------------------|
| SBECBS | Brushed Stainless |
| SBECPS | Polished Stainless |
| SBECSA | Satin Anodized |
| SBECSDU | Dark Bronze Anodized |

Minimum Order: 1 Each.



Item No. **P1NBLTG10**
 Ten (10) Pinning Bolts and
 Ten (10) Nylon Grommets



Item No. **R1G12B**
 Roll-In Gaskets
 Two (2) at 120"



Item No. **CR12PV**
 Rigid Vinyl Glass Protective Insert
 One (1) at 120"



For Technical Support
 Call Toll Free in the U.S.
(888) 295-4531

