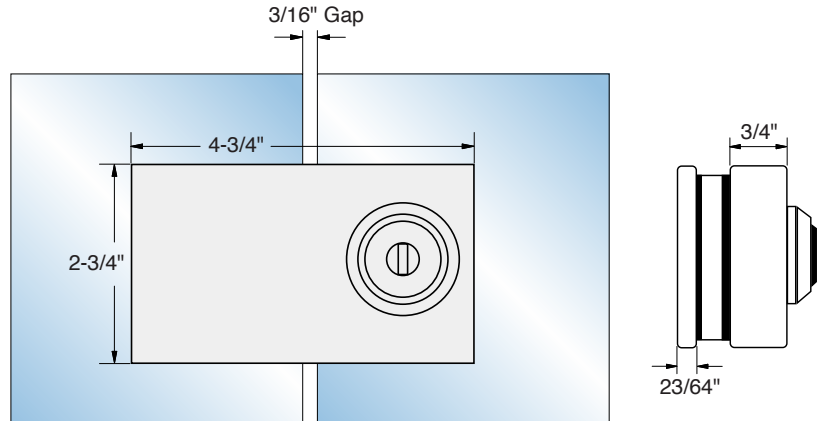


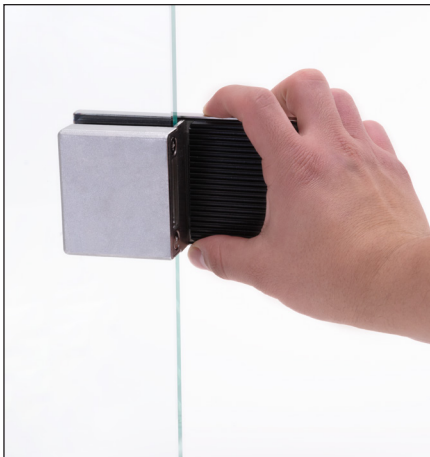


SPECIFICATIONS:

#S01P38 For Use with 3/8" Thick Glass
#S01P12 For Use with 1/2" Thick Glass
 Recommended Gap Between Panels: 3/16"
NO GLASS FABRICATION REQUIRED



DIRECTIONS:



STEP 1:

No glass fabrication required. Just remove the cover plate and slide the double gasketed section onto the fixed panel. The ribbed rubber lining creates suction, holding the lock firmly to the glass.



STEP 2:

Close the second glass leaf or panel of the door and attach the second component of the lock. Utilize the key to activate the locking bolt, ensuring precise fitting and a secure closure.
NOTE: Recommended gap between glass panels is 3/16".



STEP 3:

The FHC Slip-On Glass-to-Glass Door Lock is straight forward to install at any location along the door's edge.