

NEW

FHC Tidewater Series

180 Degree Soft Stop Sliding Shower Door Kit

PROFESSIONAL GRADE

- » Use With 3/8" (10 mm) Tempered Glass
- » Included Soft Stop Technology for Greater Safety, With a Linear, Impact-Free Closing and Opening
- » Single Door with Fixed Panel Shower Kit
- » No Glass Fabrication Required
- » Minimalistic Design With All Concealed Hardware With a Compact Profile
- » Stoppers Can Be Removed and Re-Installed after Installation
- » Ball Bearing Rollers for Smooth, Silent, and Effortless Sliding
- » 84" Cut to Size Stock Length
- » Offered in Four Popular Architectural Finishes: Brite Chrome Anodized, Brushed Nickel, Matte Black, and Satin Brass



The Next Generation of Sliding Shower Door Systems

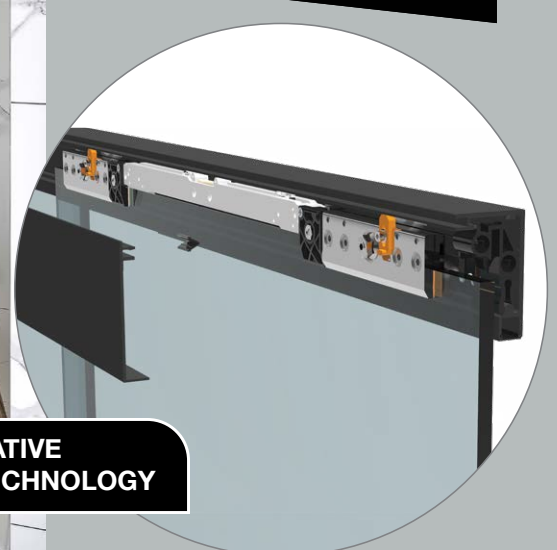


CSI DIVISION 10

SECTION

10 2885

INNOVATIVE
SOFT-STOP TECHNOLOGY



Our **FHC Tidewater Series 180 Degree Sliding Shower Door Kit** is a single-sliding door with our new Soft Stop technology. The Soft Stop innovation prevents the sliding glass door panel from slamming open or closed when engaged, and adds an extra dimension of safety. Available in four designer finishes, the Tidewater offers a sleek appearance without exposed rollers. Extra wide and heavy doors are no obstacle for the **FHC Tidewater**, handling 3/8" thick glass doors up to 132 pounds. The header length is 84", allowing for the possibility of using a sliding door in excess of 40" wide! There is no glass fabrication required for the roller carriers. With components to design a 90 degree return enclosure (sold separately), the **FHC Tidewater** is a superior choice when making a high quality, safety conscious frameless shower enclosure.

FHC
FRAMELESS HARDWARE COMPANY

The Glazing
Supply Company

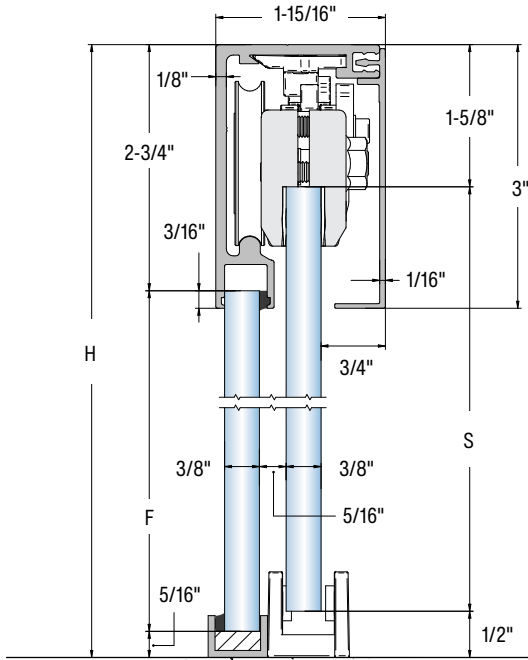
EXPERIENCE AND INNOVATION



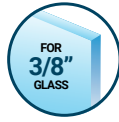
4361 Firestone Blvd. South Gate, CA 90280
Toll Free (888) 295-4531 | Fax (323) 336-8307
email showers@fhc-usa.com
FHC-USA.COM

FHC Tidewater Series 180 Degree Soft Stop Sliding Shower Door Kit

Section View of Sliding Shower Kit



Fixed Panel (F) Glass Deducts = Height (H) Minus 3-1/16"
 Slider Panel (S) Glass Deducts = Height (H) Minus 2-1/8"



SPECIFICATIONS

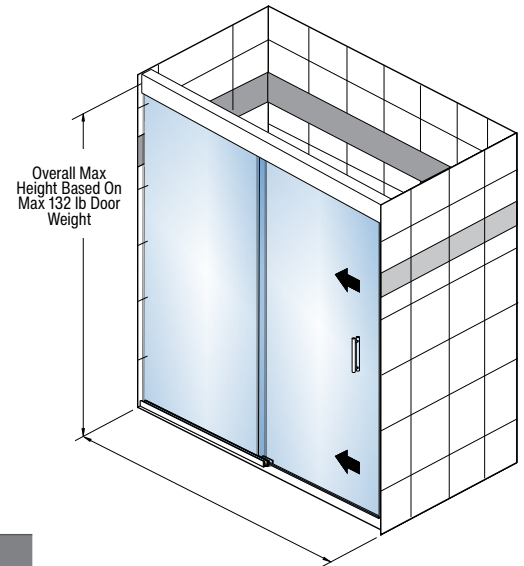
- » Glass Sizes: 3/8" (10 mm) Tempered Glass (Not Included)
- » Construction: Aluminum
- » Glass Fabrication Not Required:
- » Includes: Mounting Hardware and Installation Instructions

Tidewater Series Kits

ITEM NO.	FINISH
TW180BA	Brite Chrome Anodized
TW180BN	Brushed Nickel
TW180MB	Matte Black
TW180SB	Satin Brass

Minimum Order: 1 Each.

Isometric View of Sliding Shower Kit



Kits Include the Following Components:



ITEM NO. **TWSH1XX**

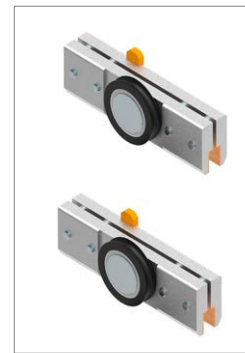
84" Top Track Extrusion Kit With Fixed Panel (Qty. 1)



INCLUDED IN TIDEWATER KITS

ITEM NO. **TW180SSK**

Soft-Stop Kit (Also Sold Separately)



ITEM NO. **TWSR1XX**

Two Roller Carrier (Qty. 2)

Available Finishes



BA
BRITE CHROME ANODIZED



BN
BRUSHED NICKEL



MB
MATTE BLACK



SB
SATIN BRASS



ITEM NO. **TWSS2XX**
Stopper Retaining Break (Qty. 2)



ITEM NO. **TWSG1XX**
Bottom Guide (Qty. 1)



ITEM NO. **TWS90LXX**
90 Degree Left Return Glass Adapter Sold Separately

XX = FINISH



ITEM NO. **TWSW2**
Wall Brackets (Qty. 2)



ITEM NO. **CLSB3812**
95" Jamb L-Seal (Qty. 1)



ITEM NO. **TWS90RXX**
90 Degree Right Return Glass Adapter Sold Separately

