

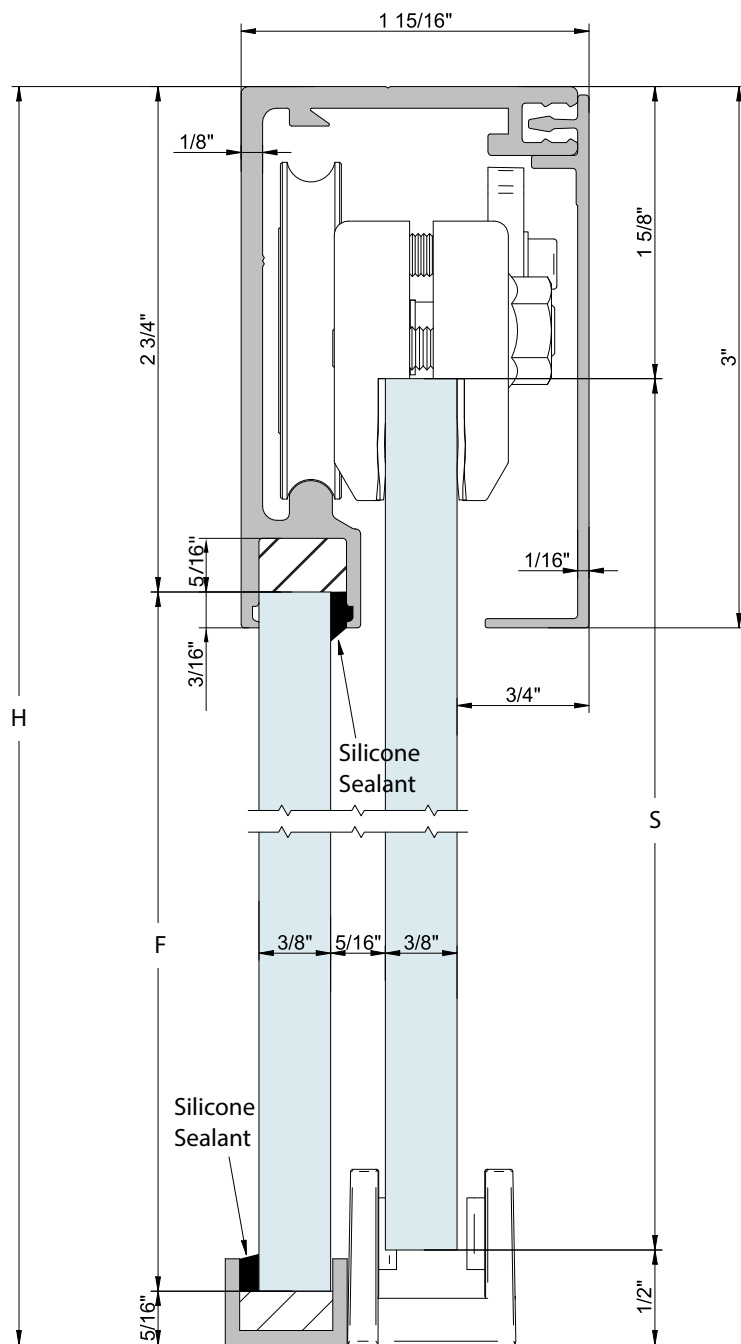
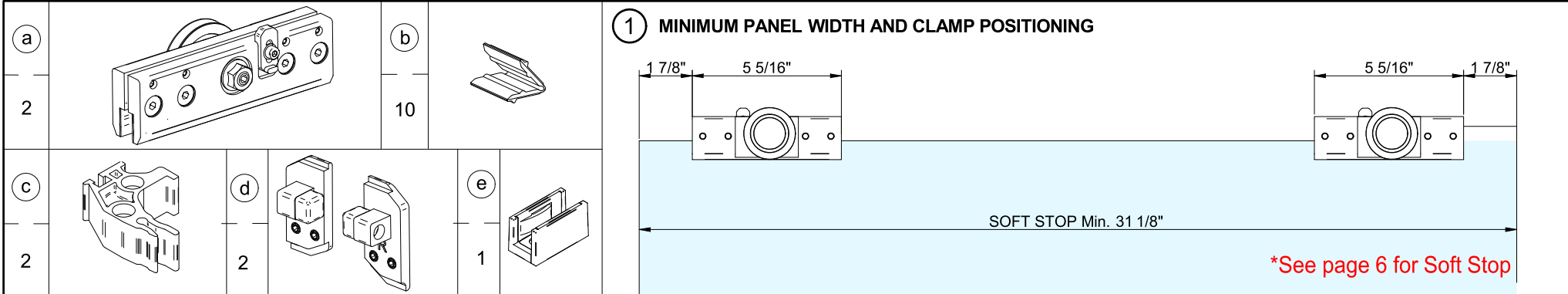
TideWater Series

Soft-Stop Sliding Shower Door Kit

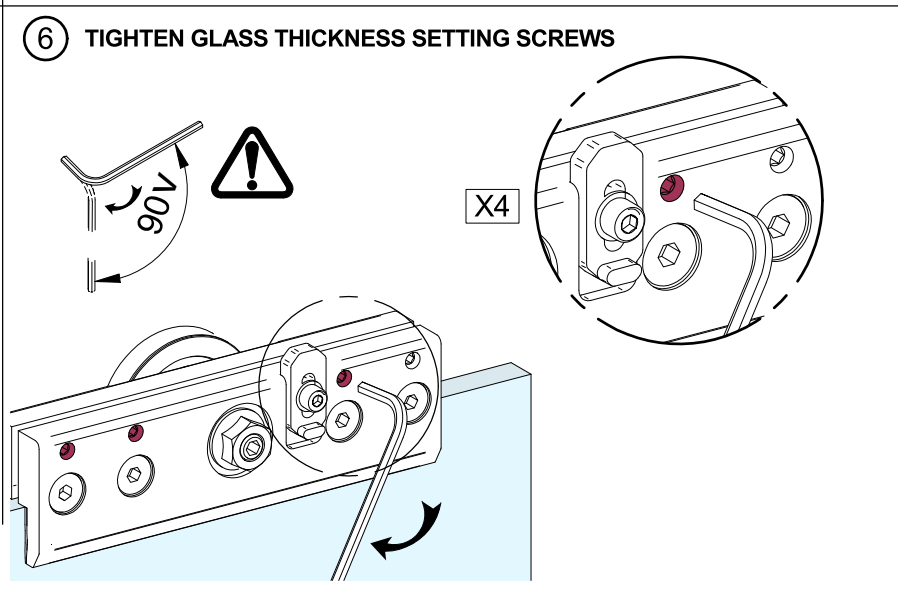
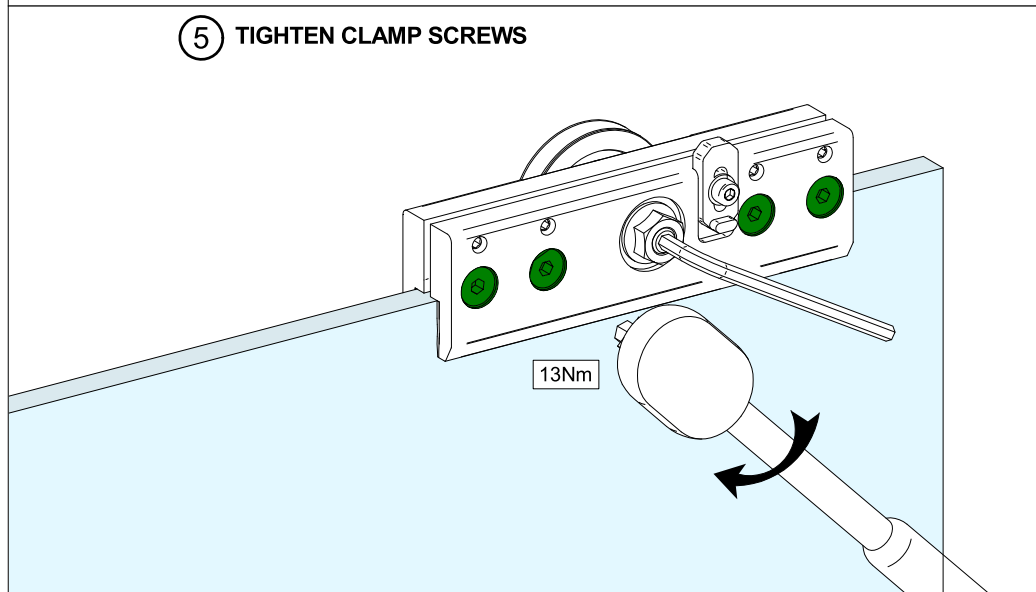
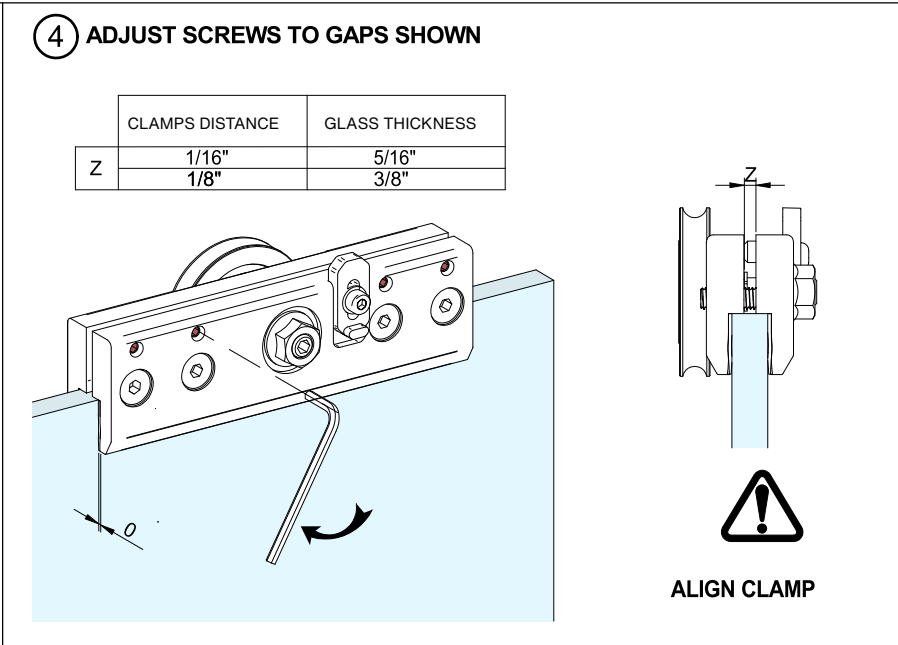
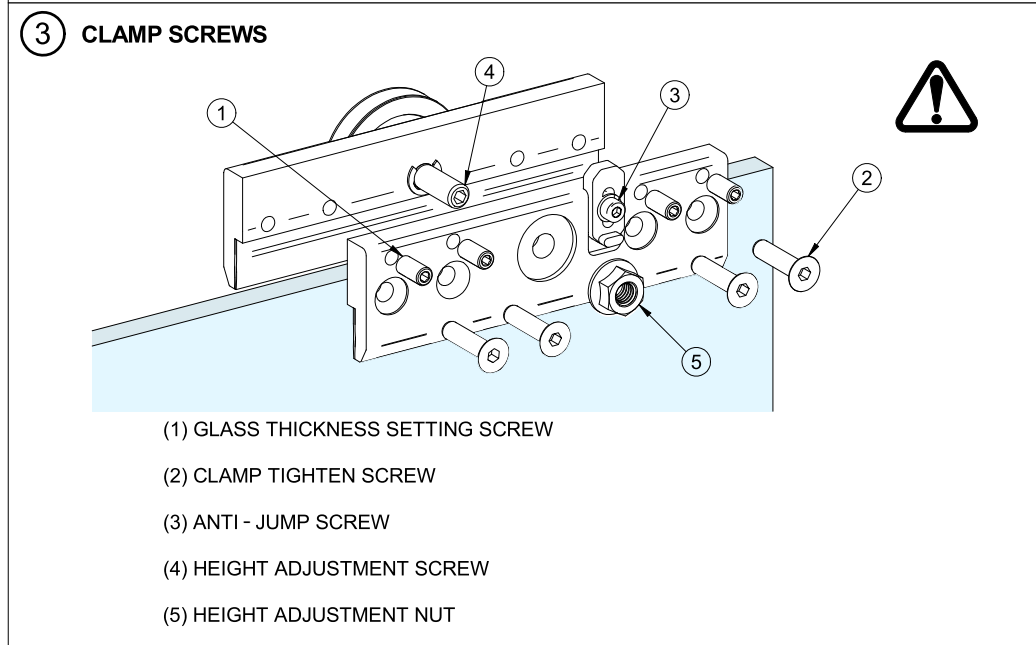
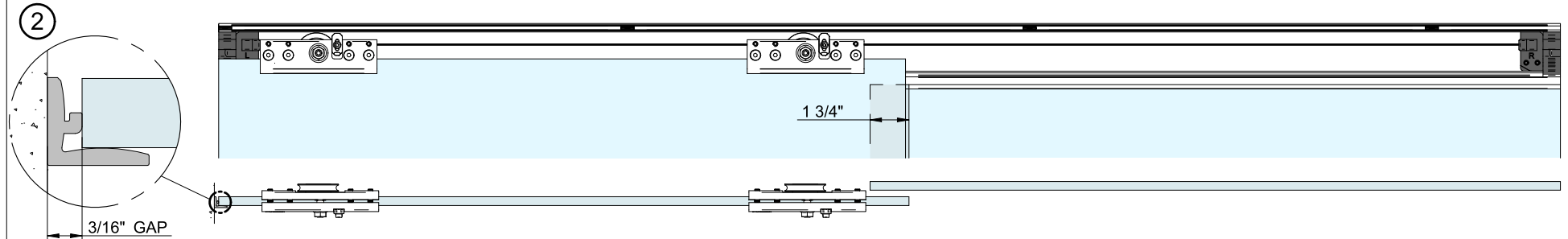
Installation Instructions ITEM NO. TW180



038060792

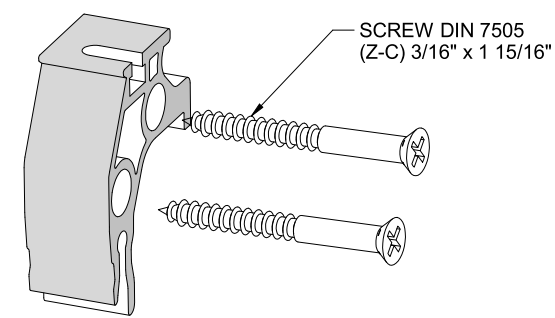
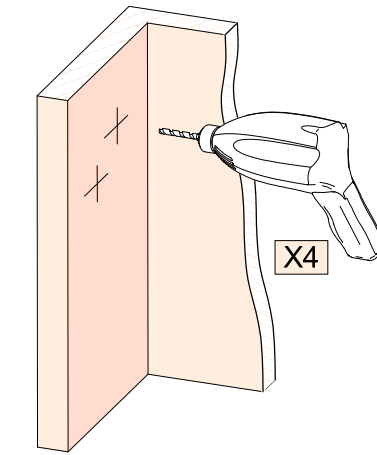
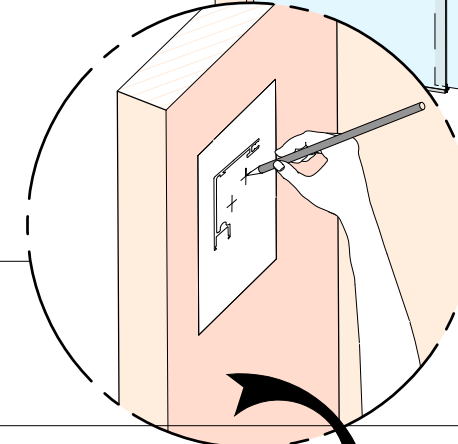
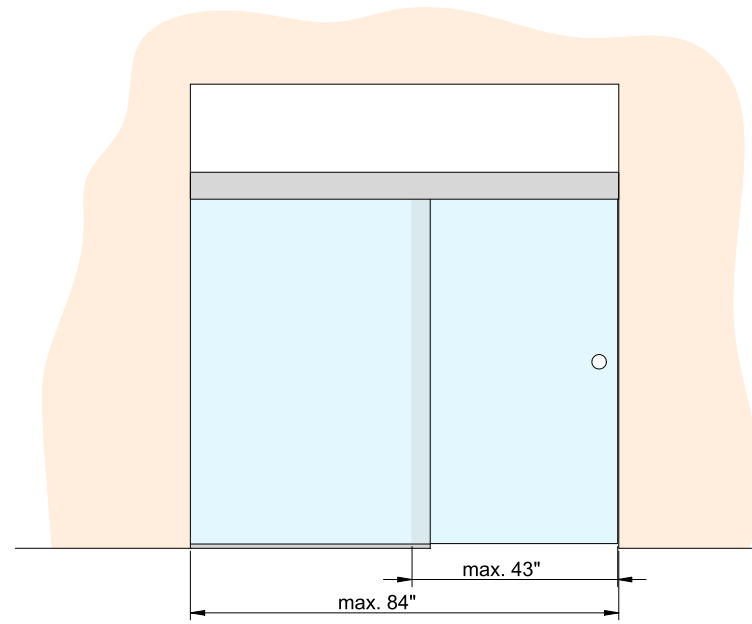
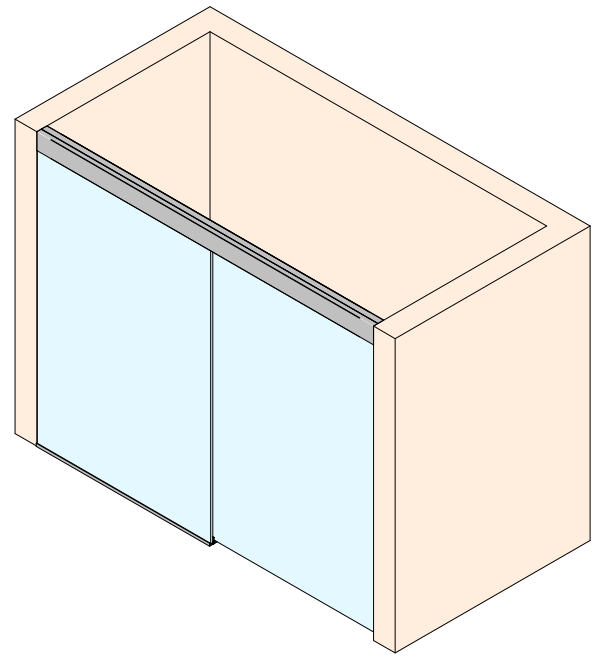


Fixed Panel (F) Glass Deducts = Height (H) Minus 3-1/16"
 Sliding Panel (S) Glass Deducts = Height (H) Minus 2-1/8"

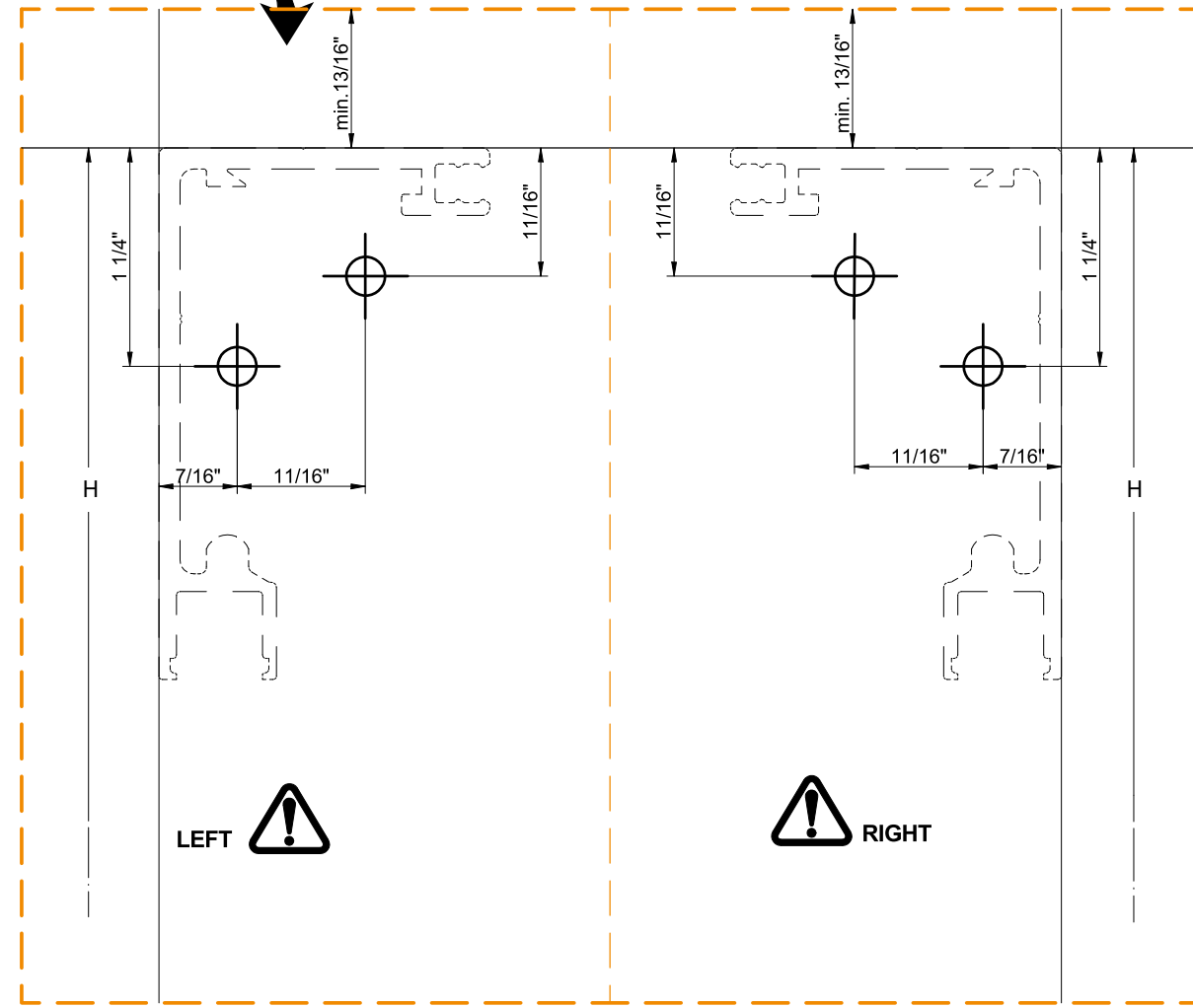
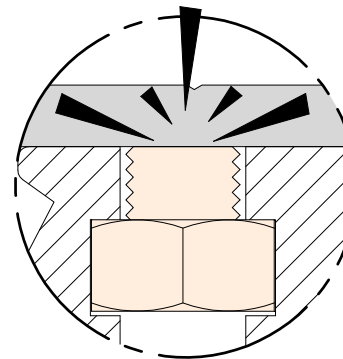
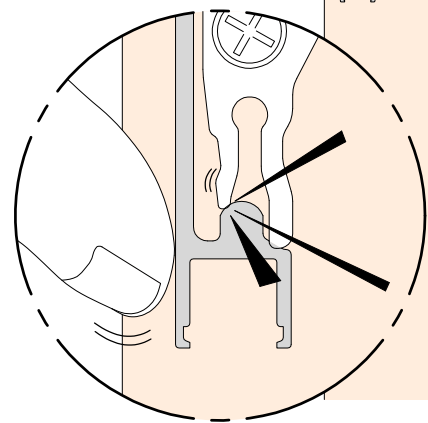
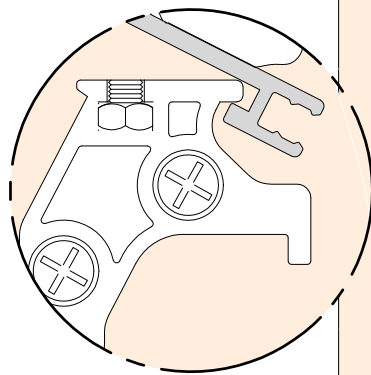
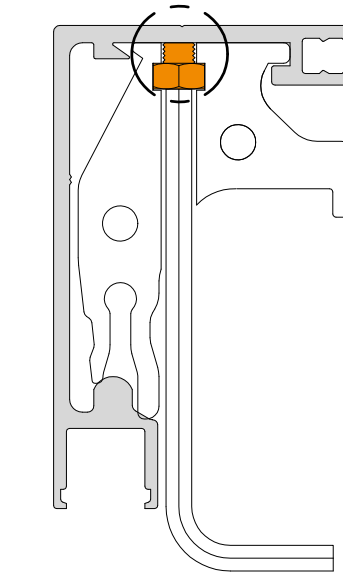
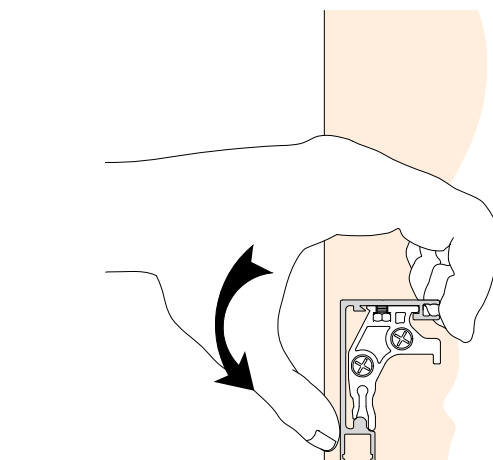
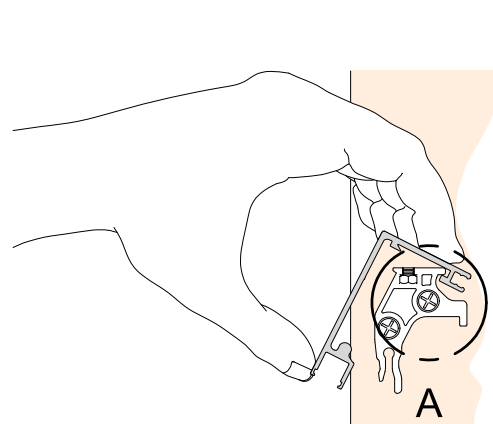


LIT0206 PAGE 1 OF 7 REV. 11.10.22

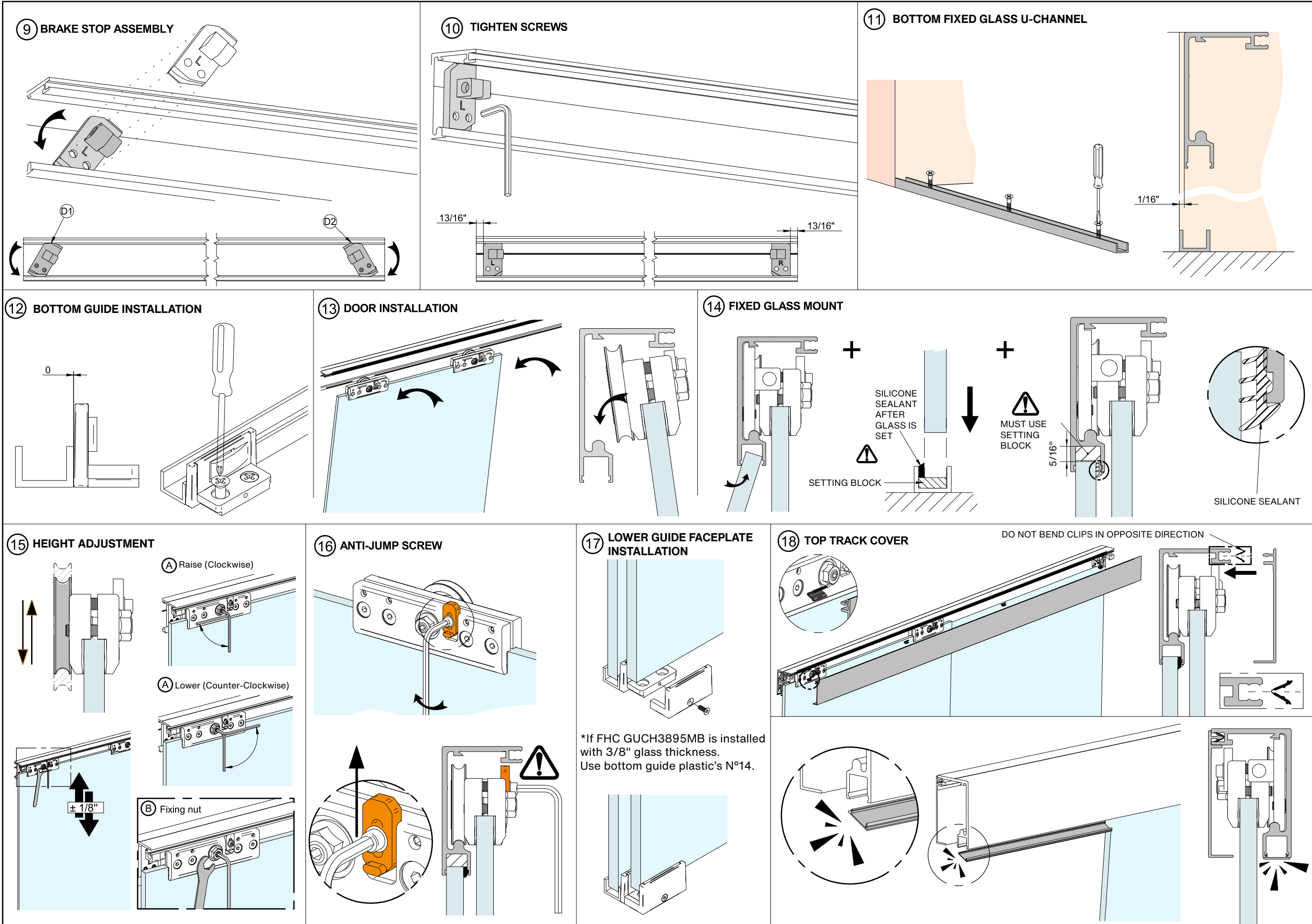
7 WALL-TO-WALL MOUNT



8 TOP TRACK MOUNT

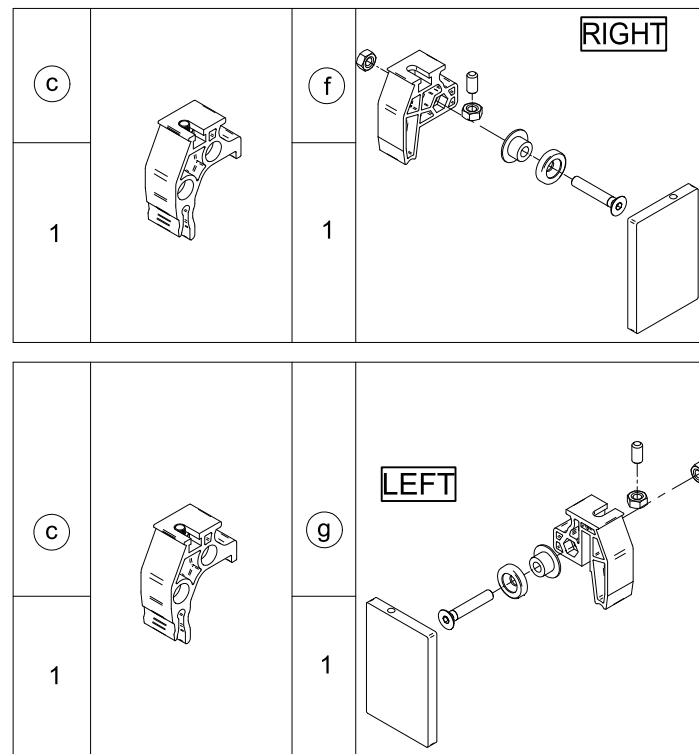
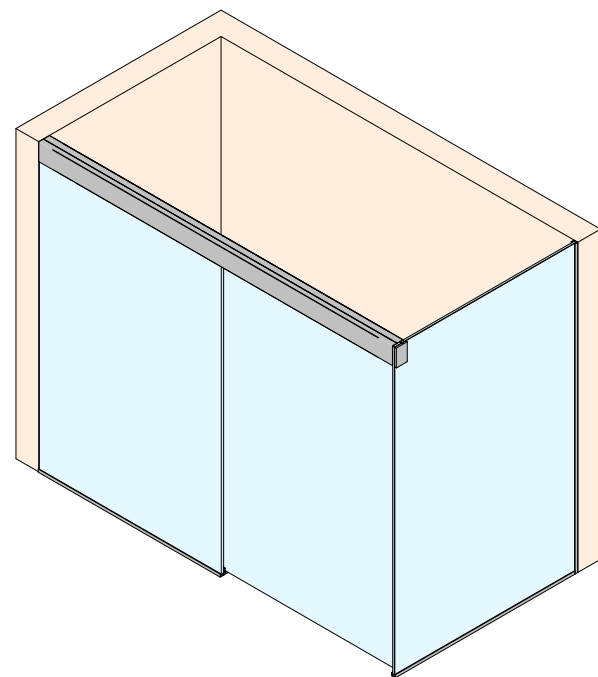


LIT0206 PAGE 2 OF 7 REV.11.10.22

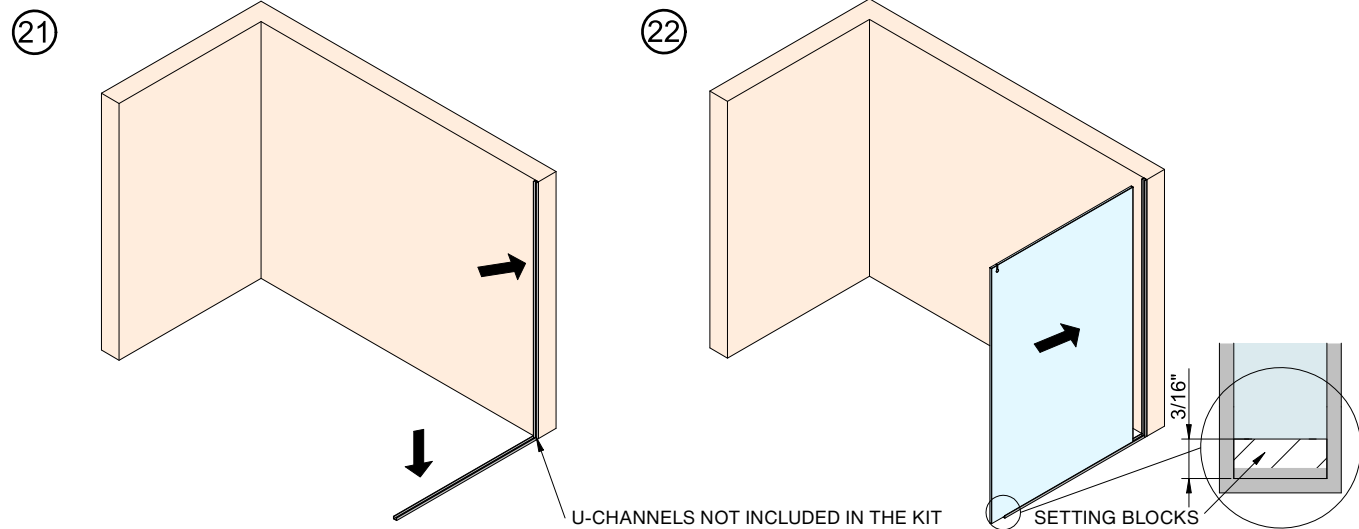


LIT0206 PAGE 3 OF 7 REV.11.10.22

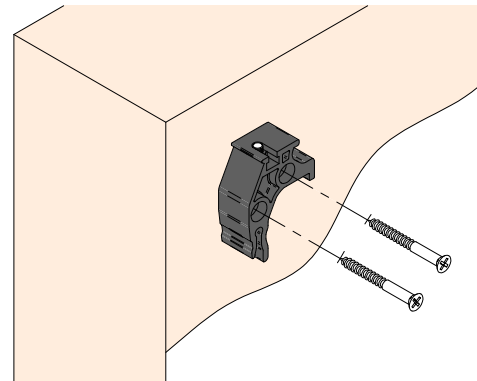
19 90 DEGREE RETURN PANEL OPTION



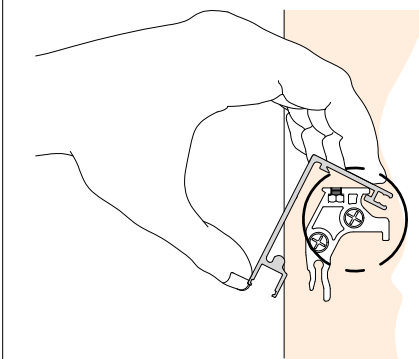
20 GLASS FABRICATION



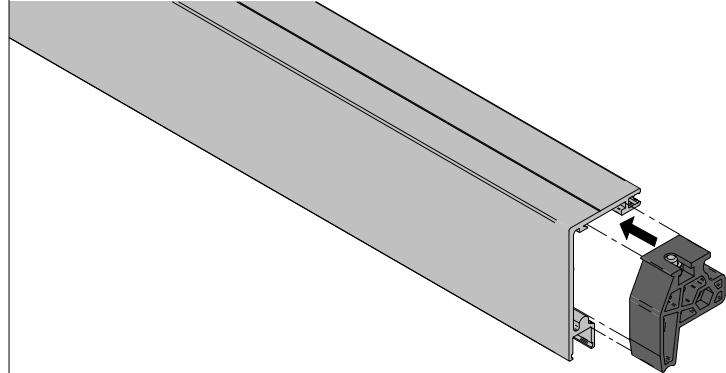
23 WALL BRACKET MOUNT



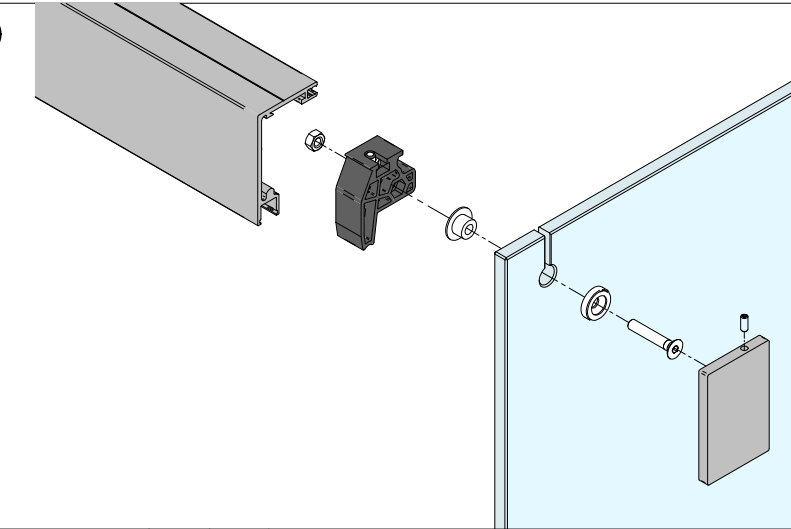
24



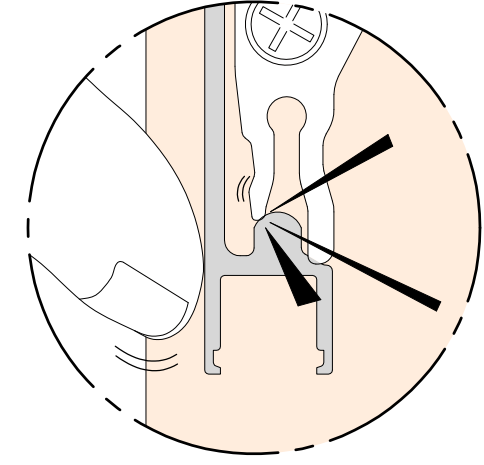
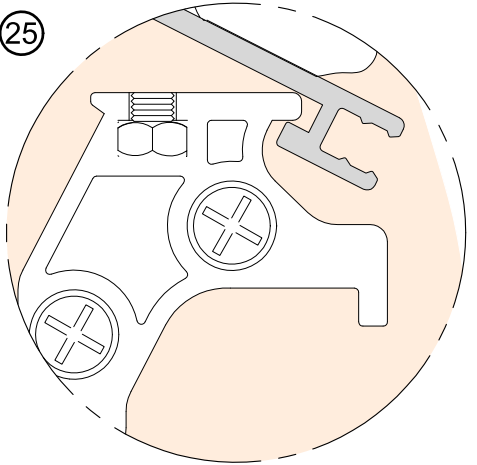
26 90 DEGREE GLASS BRACKET MOUNT



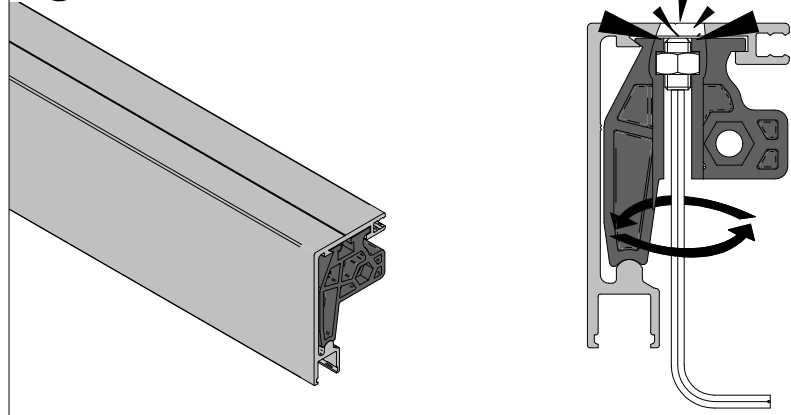
28



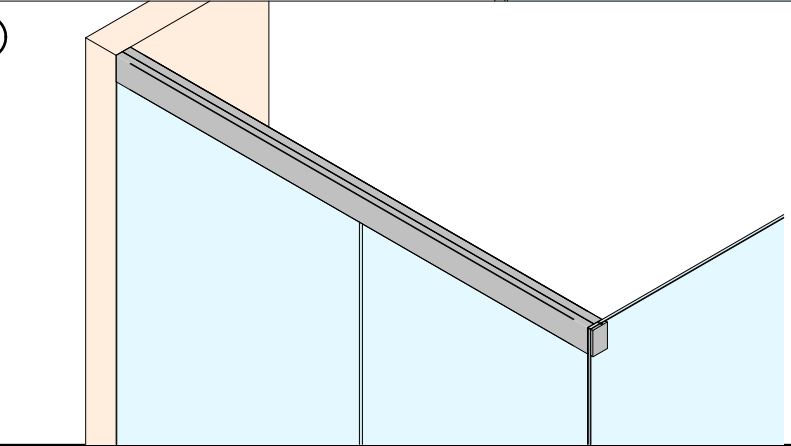
25



27 TIGHTEN GLASS BRACKET INTO TOP TRACK

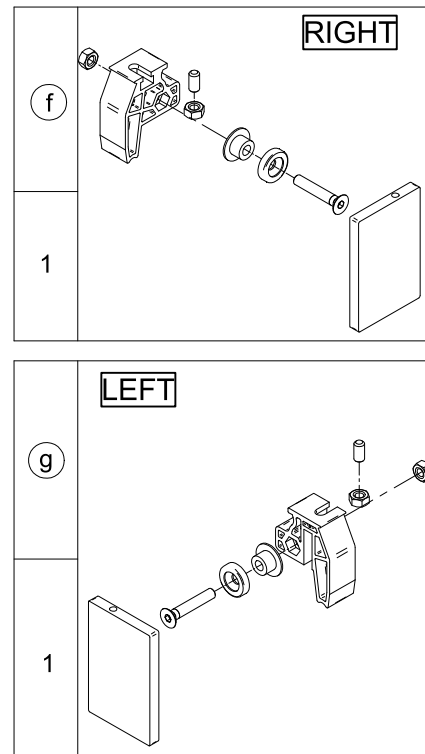
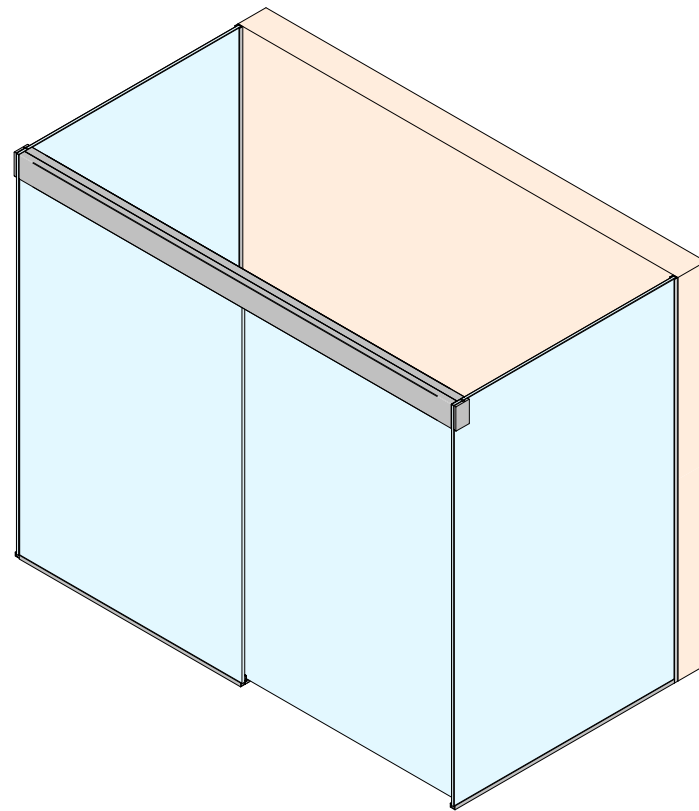


29

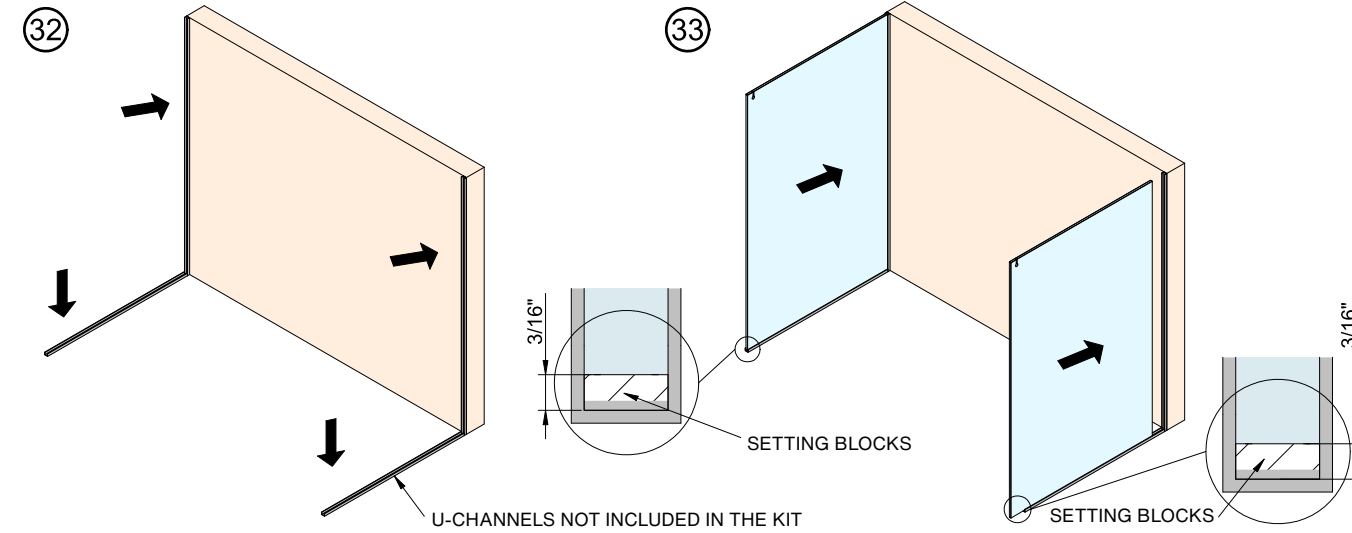
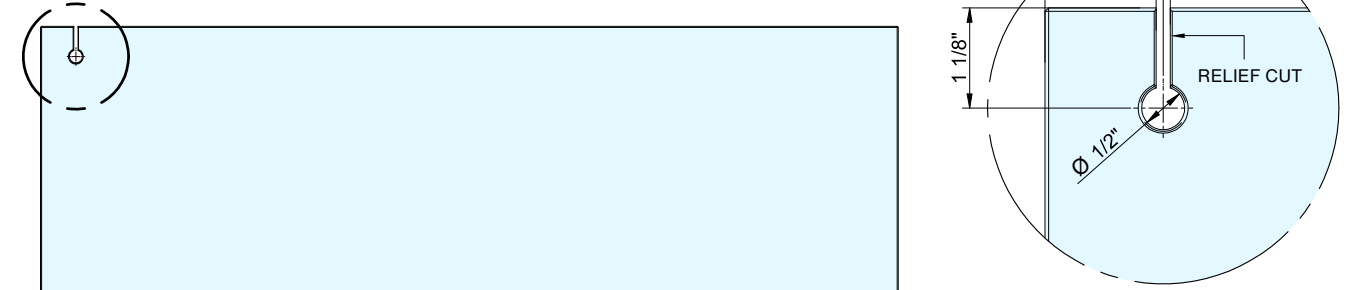


LIT0206 PAGE 4 OF 7 REV.11.10.22

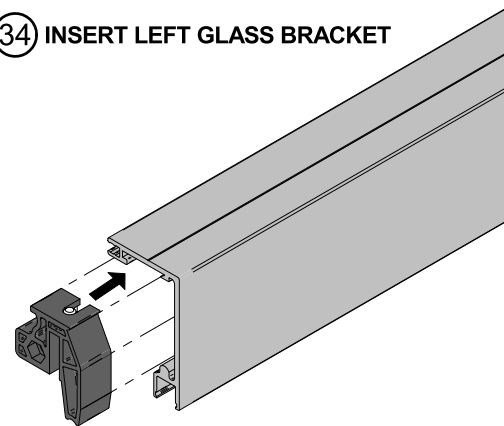
30 DOUBLE 90 DEGREE RETURN PANELS OPTION



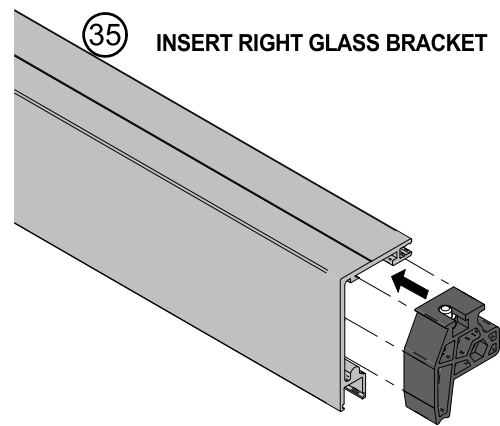
31 GLASS FABRICATION



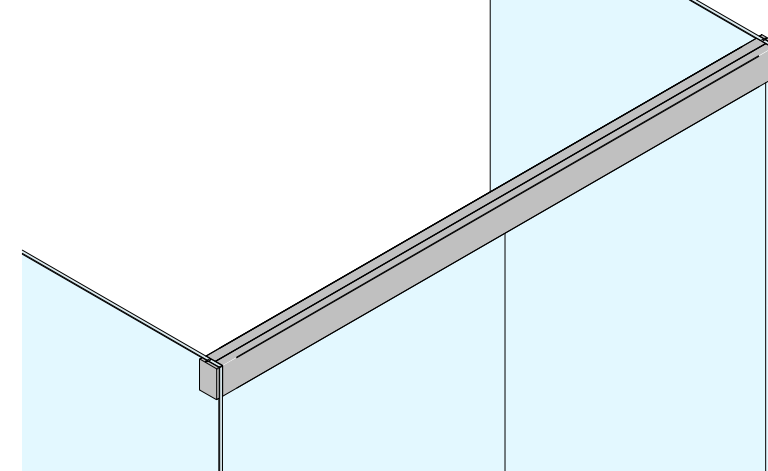
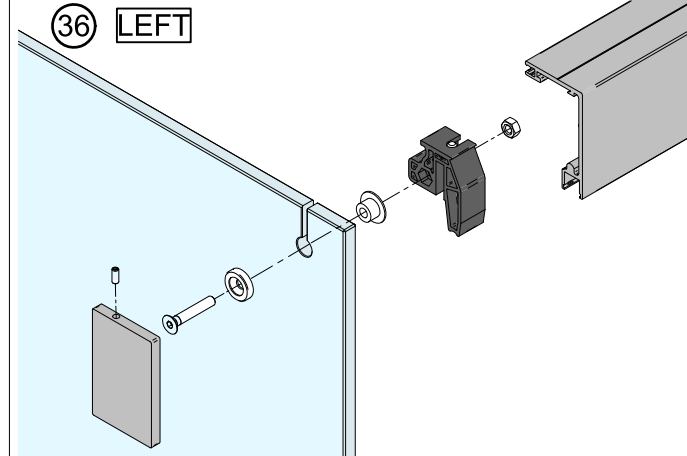
34 INSERT LEFT GLASS BRACKET



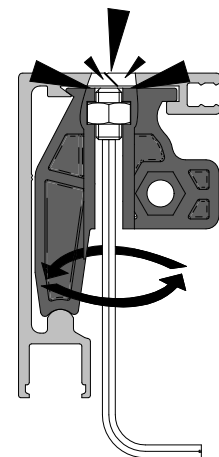
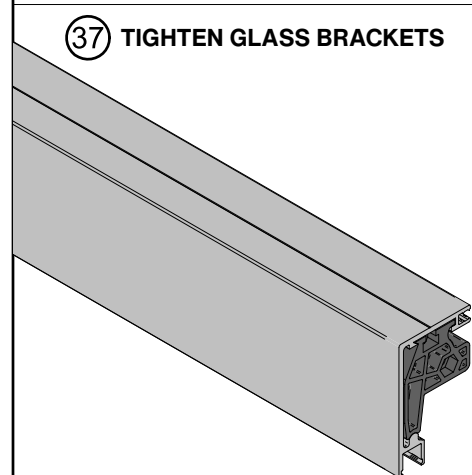
35 INSERT RIGHT GLASS BRACKET



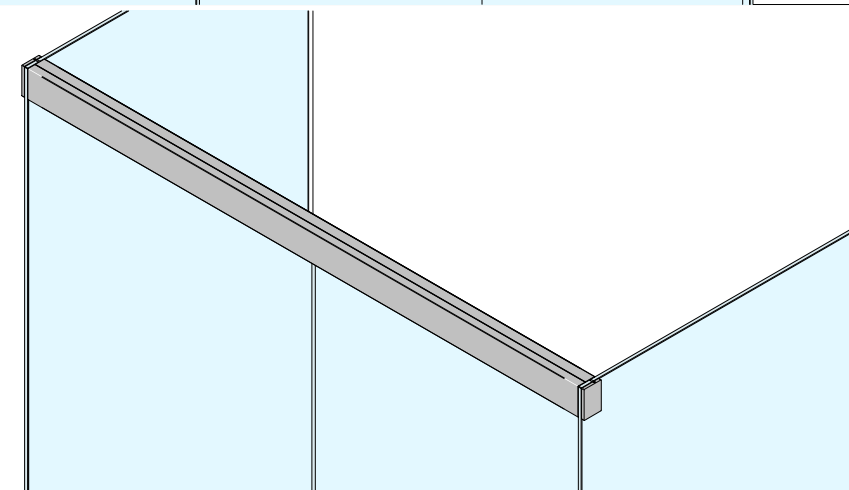
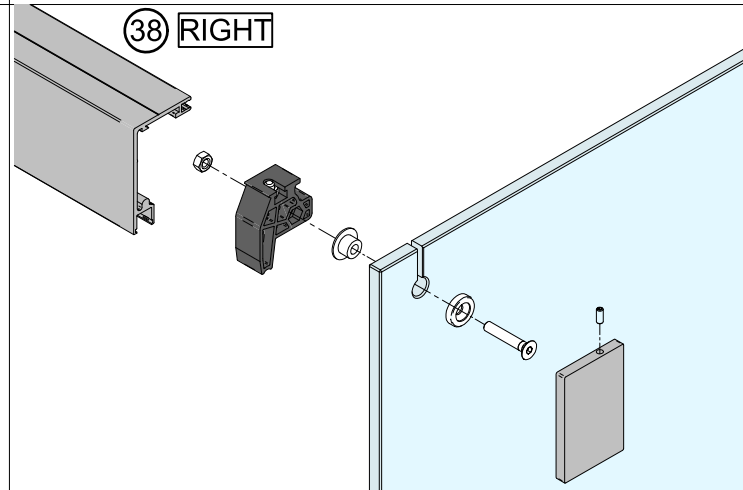
36 LEFT



37 TIGHTEN GLASS BRACKETS



38 RIGHT



TideWater Series

Soft-Stop Sliding Shower Door Kit

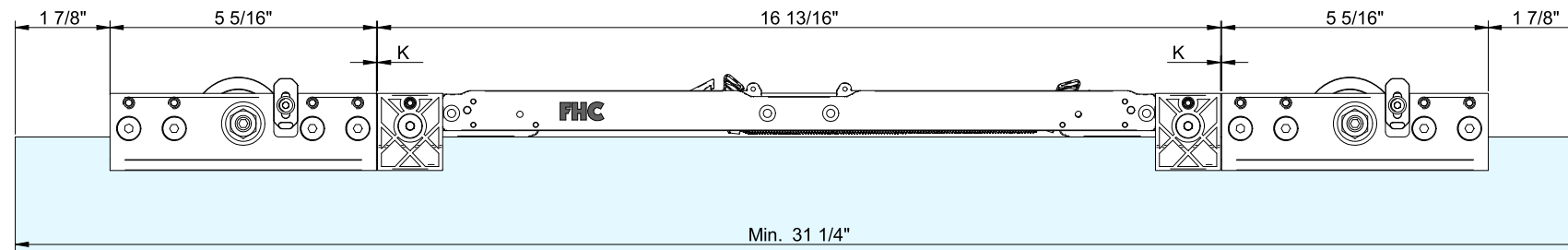
SOFT-STOP Installation Instructions

ITEM NO. TW180



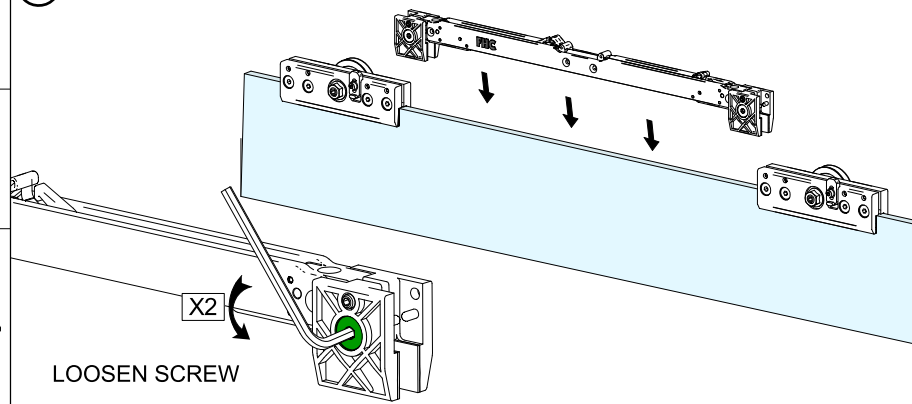
HIGH-WIDTH RATIO: 3-1

1 MINIMUM PANEL WIDTH AND CLAMP POSITIONING

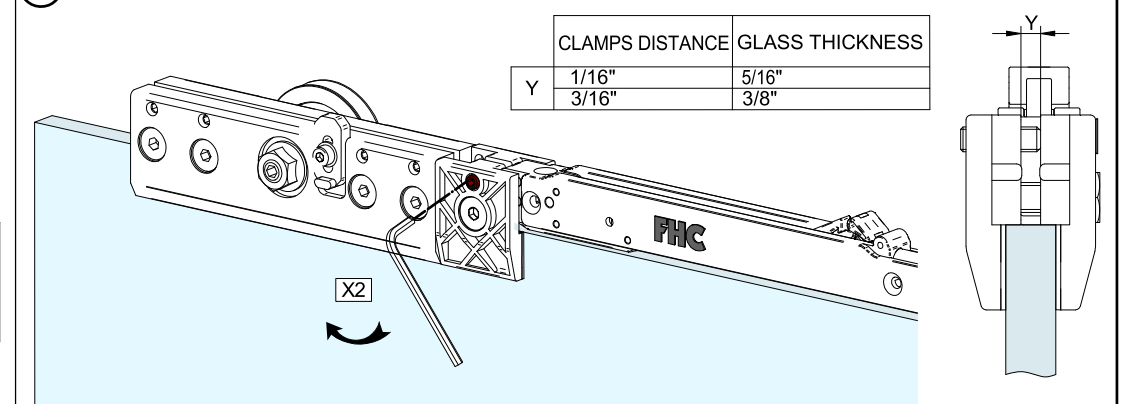


(f)	1		(g)	4
(h)	2		(g ¹)	2
(g ²)	2	(g ³)	2	

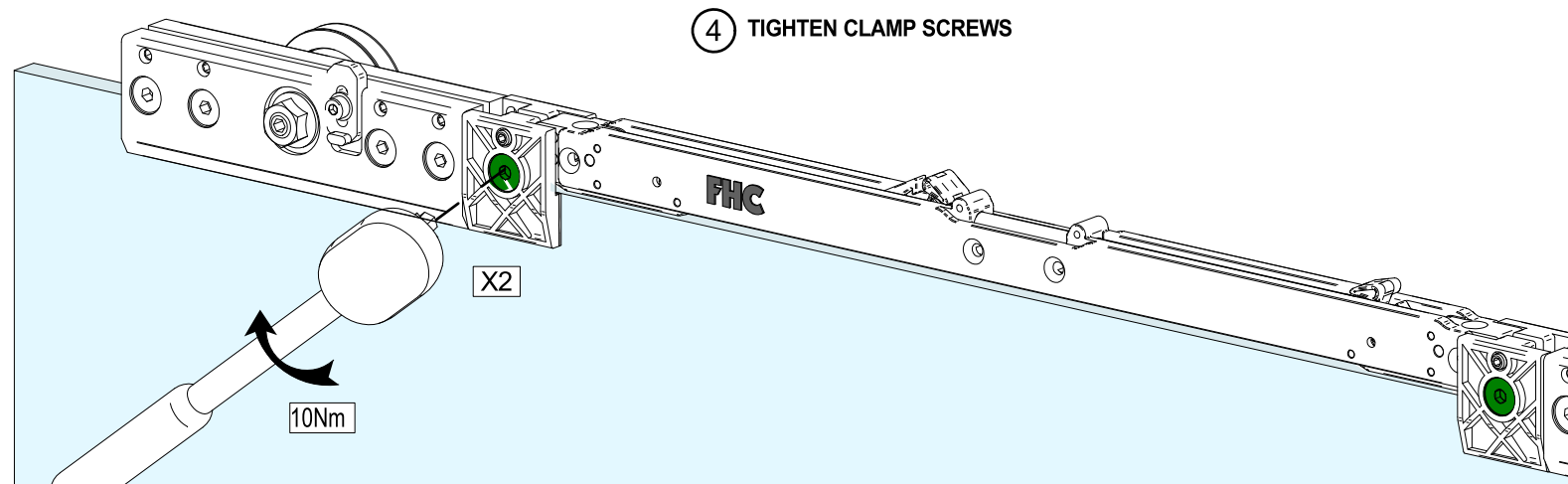
2 SOFT-STOP INSTALLATION



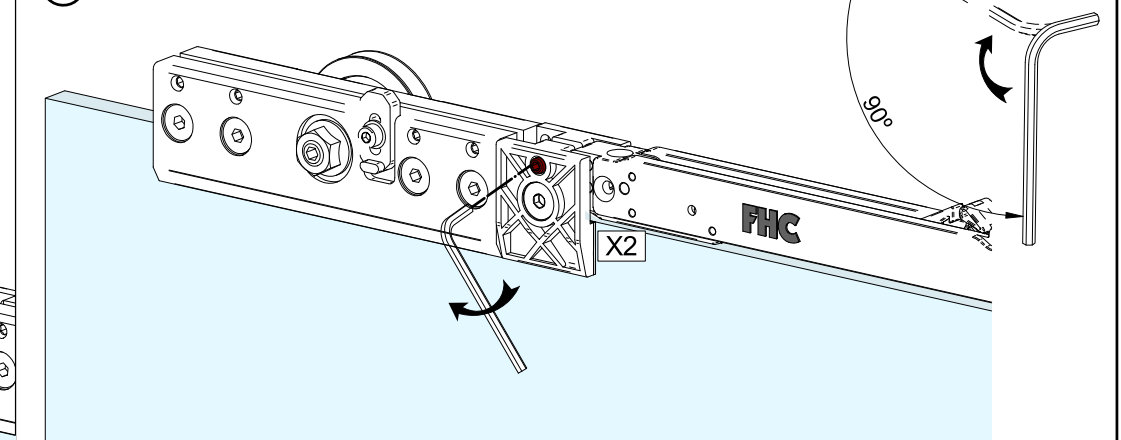
3 ADJUST THE SCREWS TO GAP SHOWN



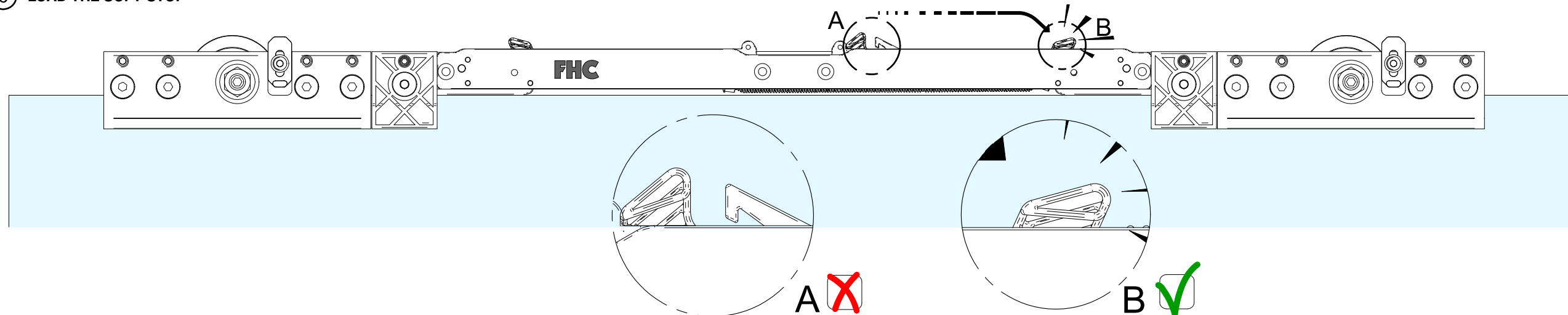
4 TIGHTEN CLAMP SCREWS

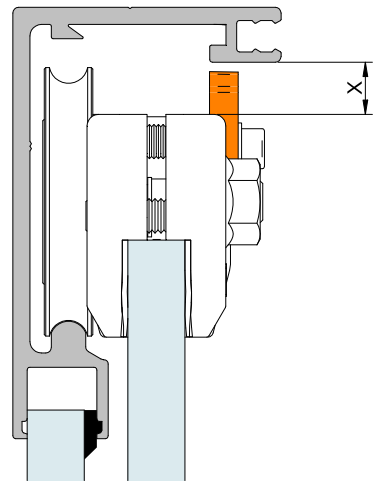



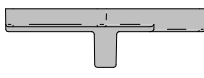

5 TIGHTEN GLASS THICKNESS SCREWS



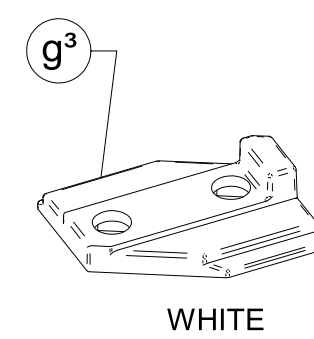
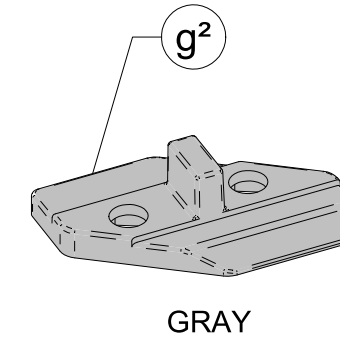
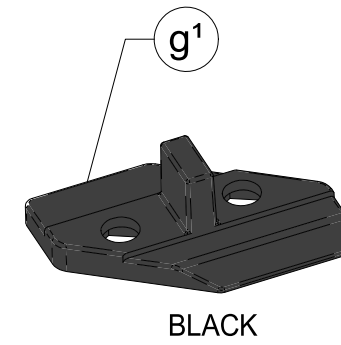
6 LOAD THE SOFT-STOP



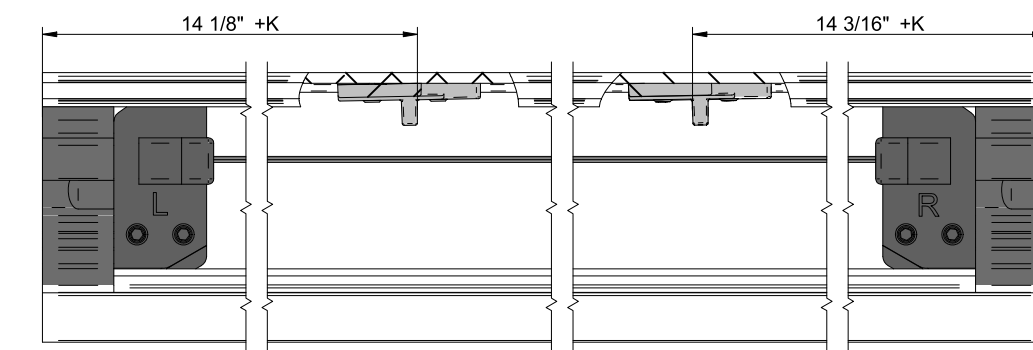
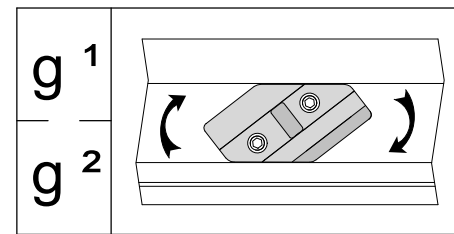
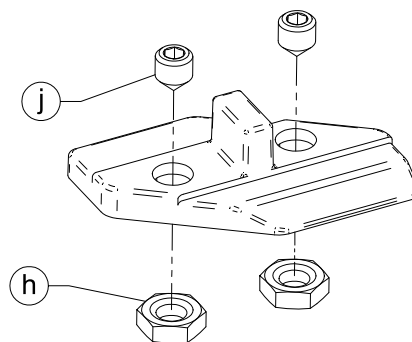
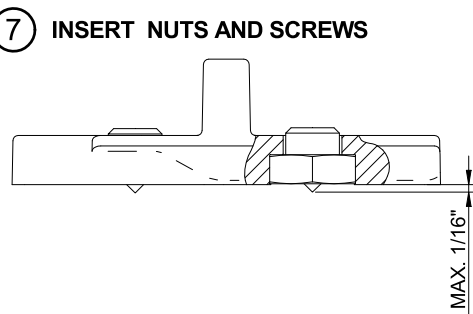


g^1	 BLACK	$X \geq 7/16"$
g^2	 GRAY	$5/16" < X < 7/16"$
g^3	 WHITE	$X \leq 5/16"$

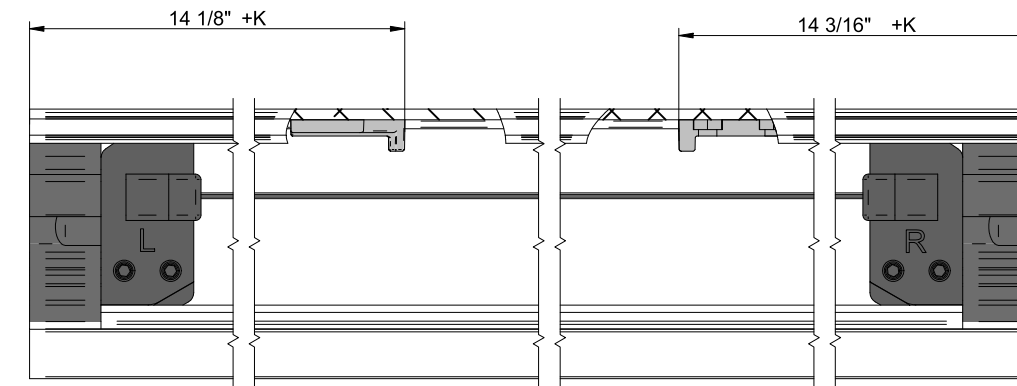
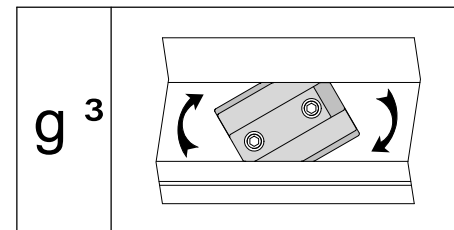
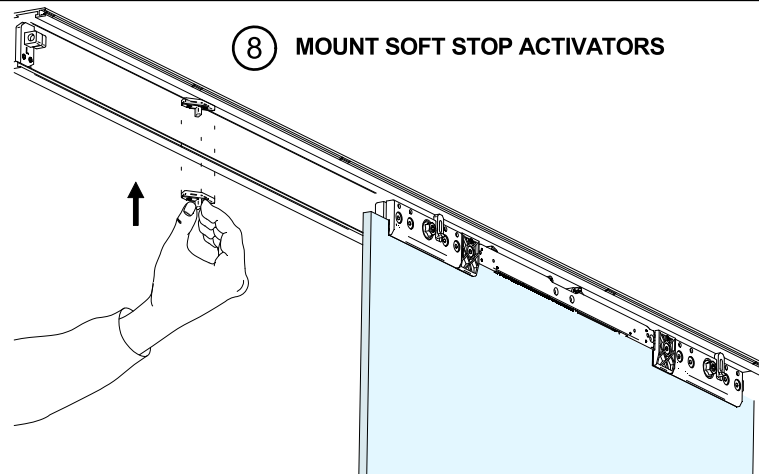
SOFT-STOP ACTIVATORS



7 INSERT NUTS AND SCREWS



8 MOUNT SOFT STOP ACTIVATORS



9 TIGHTEN THE SET SCREWS

