

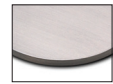
Top Locking Ladder Pull

ITEM NO. **LLHT60XX** & ITEM NO. **LLHT72XX**

FHC 60" & 72" Top Locking Ladder Pull

- Back-to-Back Locking Ladder Pulls for 1/2" to 3/4" Tempered Glass
- 1-1/4" Diameter 304 Grade Stainless Steel
- Top Locking and Easy to Install
- For Glass, Aluminum, and Wood Doors
- Modern, Elegant Design for Office and Commercial Settings
- Custom Finishes and Lengths Available Upon Request
- Mounting Hardware for 1-3/4" Thick Doors (Sold Separately)

Available Finishes



BRUSHED STAINLESS



POLISHED STAINLESS



MATTE BLACK



Latches Into Header or Jamb

Requires 7/8" Dia. x 2-1/4" Deep Hole



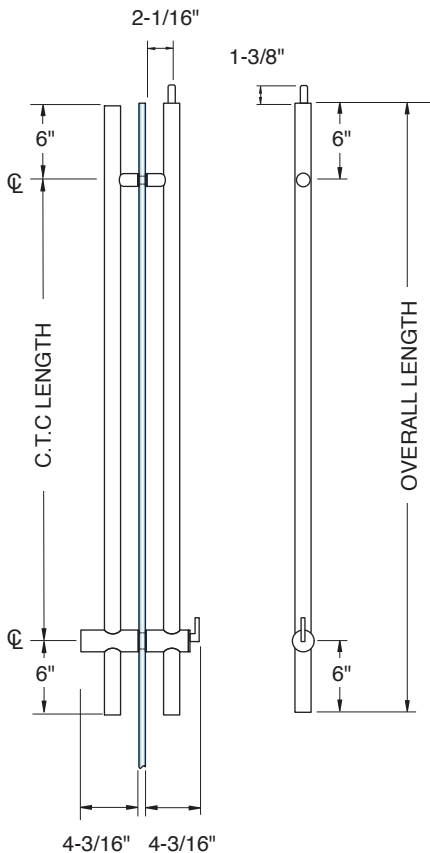
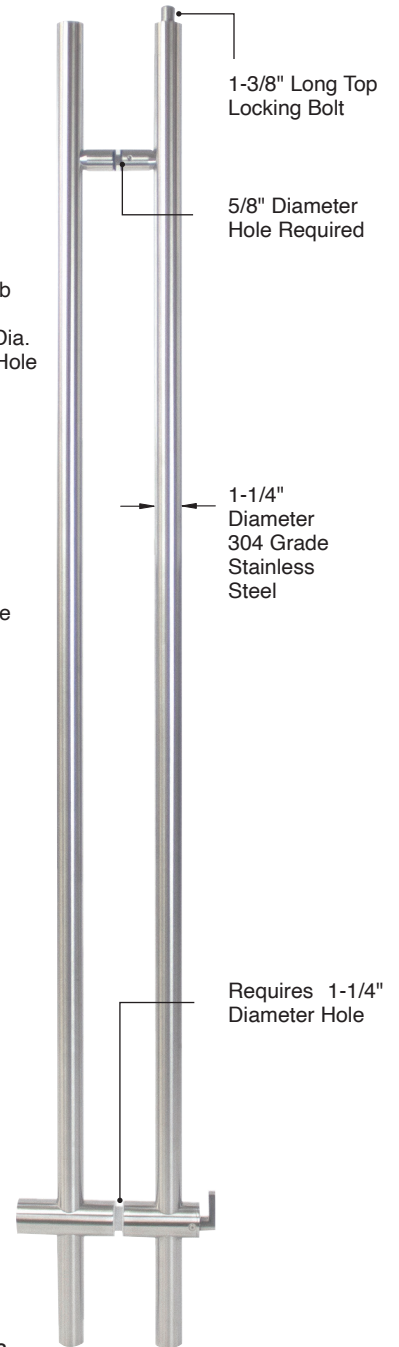
Small Format Interchangeable Core (SFIC) Rim Cylinder



A.D.A. Compliant Thumbturn



Dustproof Keeper Included With the Kit



ITEM NO. **LLHA134ADT**

- FHC Locking Ladder Pull Adaptor for 1-3/4" Aluminum Frame Doors



TOP LOCKING LADDER PULLS

ITEM NO.	OVERALL LENGTH	C.T.C. LENGTH	FINISH
LLHT60BS	60"	48"	Brushed Stainless
LLHT60PS	60"	48"	Polished Stainless
LLHT60MB	60"	48"	Matte Black
LLHT72BS	72"	60"	Brushed Stainless
LLHT72PS	72"	60"	Polished Stainless
LLHT72MB	72"	60"	Matte Black

Minimum Order: 1 Each.