

### Installation (All H-Bars)

DESCRIPTION	FORMULA FORMAT
With Caps	Overall Width Opening ÷ 2, + .50 = Size
No Caps	Overall Width Opening ÷ 2, + .75 = Size
With Jamb's & Caps	Overall Width Opening ÷ 2, + .25 = Size
With Jamb's Only, No Caps	Overall Width Opening ÷ 2, + .50 = Size

Minimum order: 1 each

### 2000

### 2300, 2301, 2303, 2305 (609 or 603 Top) & (603/601 or 592 Bottom)

ITEM NO.	HEIGHT FORMULA FORMAT
610	Overall Height Opening - 1-3/8"
610MC	Overall Height Opening - 1-1/2"
610LK	Overall Height Opening - 1-11/16"
KK610	Overall Height Opening - 1-7/8"

Minimum order: 1 each

### 2202, 2203, 2204, (605 or 603 Top) & (602 Bottom)

ITEM NO.	HEIGHT FORMULA FORMAT
610	Overall Height Opening - 1-1/8"
610MC	Overall Height Opening - 1-3/16"
610LK	Overall Height Opening - 1-3/8"
KK610	Overall Height Opening - 1-9/16"

Minimum order: 1 each

### 1605 & 614 (For Over Weight Doors)

ITEM NO.	HEIGHT FORMULA FORMAT
610	Opening - 1-9/16"
610MC	Opening - 1-11/16"
610LK	Opening - 1-7/8"
KK610	Opening - 2-1/16"

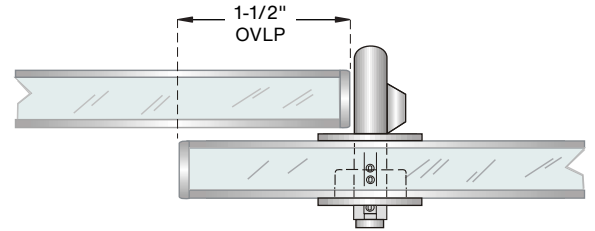
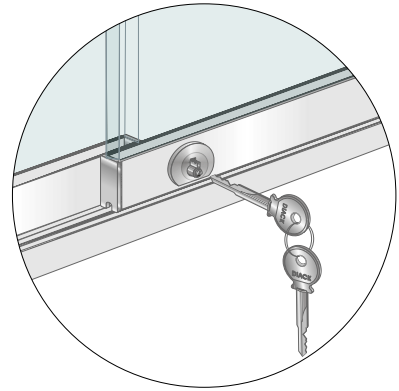
Minimum order: 1 each

### 602 & 614 (For Large Doors)

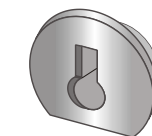
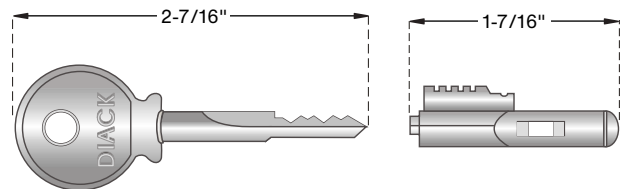
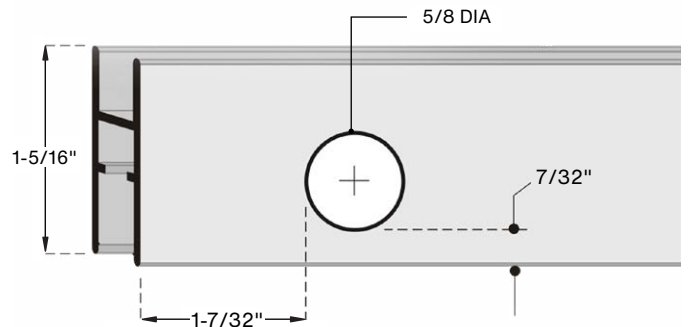
ITEM NO.	HEIGHT FORMULA FORMAT
610	- 1-3/8"
610MC	- 1-7/16"
610LK	- 1-5/8"
KK610	- 1-13/16"

Minimum order: 1 each

### 802 With 610LK ONLY



2 Total 3 x 10 MM Flat Head Phillips Zinc Plated Screws With 610lk Shoe



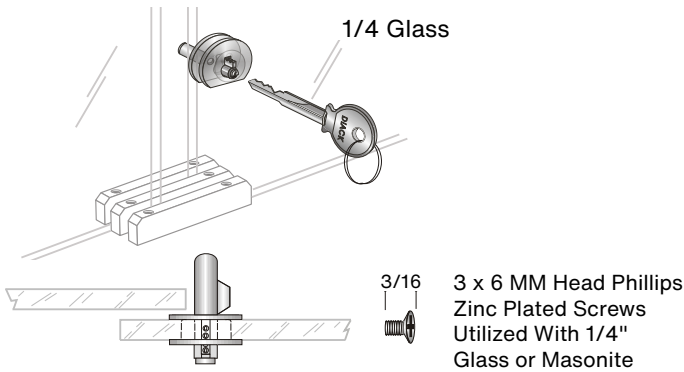
802HOUSING



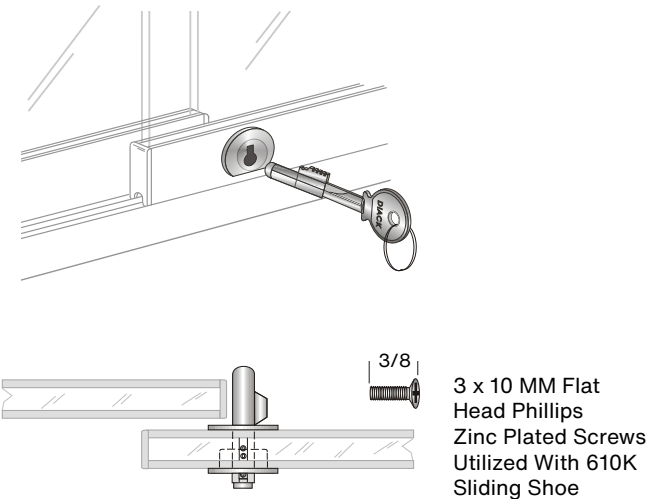
802PLATE

# INSTALLATION

## 802 Lock Applications

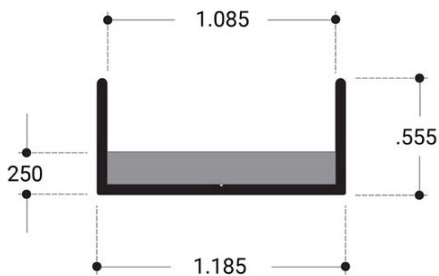


## 610LK Shoe

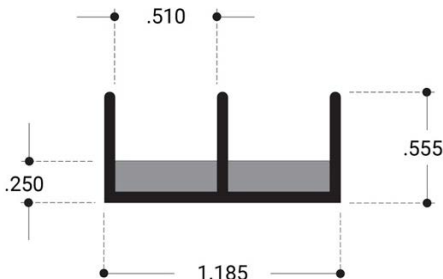


## FHC Jamb with Sponge Rubber 144" Length For Track Assemblies

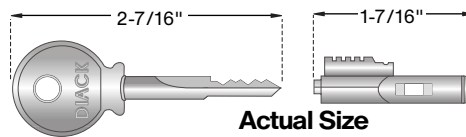
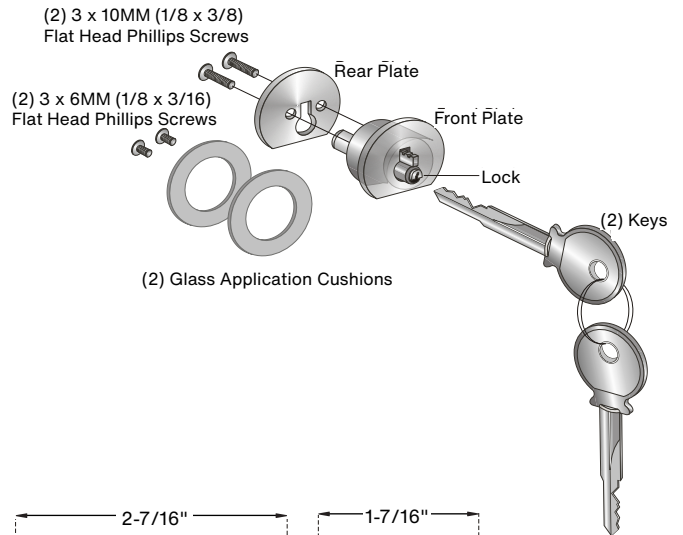
### OD607



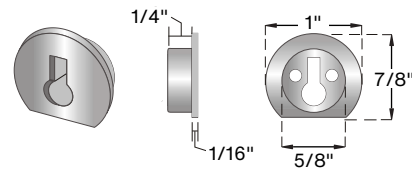
### OD617



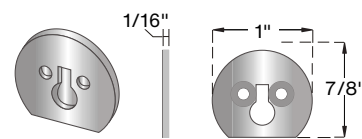
## 802 Lock Applications



### Front Plate



### Rear Plate



## FHC End Cap

- Multiple Finishes Available
- Available in Clear Anodized, Brite Anodized, Dark Black and Bronze Anodized
- End Cap is Used to Cover RoughCut
- Securely Attach the End Cap to the Cross Member of the 'H' Bar Using either a Rivet or Flat Head Screw



ITEM NO.	USE FOR
OD331	ODKK610
OD322	OD610
OD333	OD610MC
OD334	OD10MC

Minimum order: 1 each

