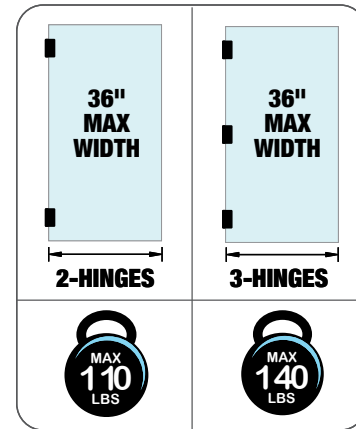
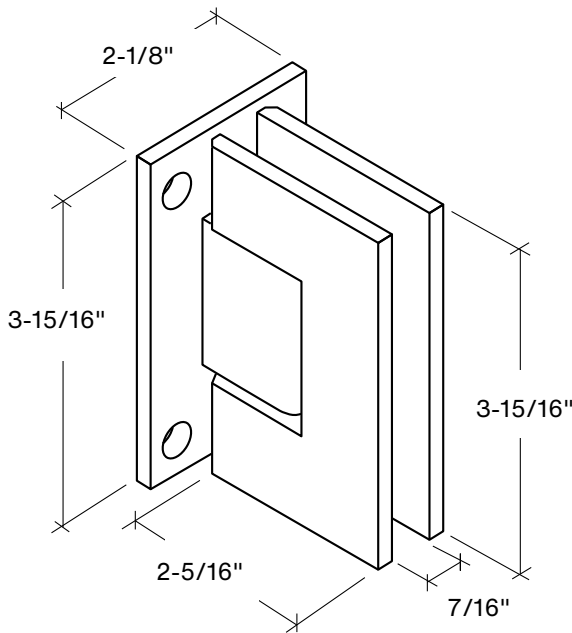


Shower Hinge

ITEM NO. **VENF5**
Wall Mount Full Back Plate Hinge
5 Degree Factory Set Positive Close



- For 3/8" to 1/2" Tempered Glass
- Industry Standard Square Body Profile 3-15/16" Tall
- Heavy-Duty Design For Heavier and Wider Doors
- Eight Popular Finishes
- Self-Centering Within 15 Degrees of Closing Position
- For Use in Residential Bath and Commercial Hotel Applications
- Reversible 5 Degree Pivot Pin that Doesn't Require Special Tools
- High Quality Solid Brass Construction With State-of-the-Art Plating Process

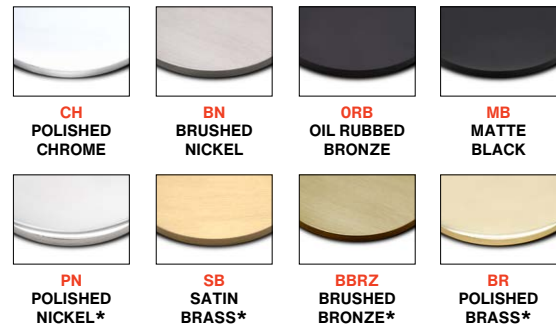


MAXIMUM CAPACITY:

MAXIMUM DOOR CAPACITY	3/8" (10 mm) GLASS Approx. 5 lb/ft ²	1/2" (12 mm) GLASS Approx. 6.4 lb/ft ²
	DOOR WEIGHT	DOOR WIDTH
USING 2 HINGES	110 LBS. (50 kg)	36" (914 mm)
USING 3 HINGES	140 LBS. (64 kg)	36" (914 mm)

NOTE: Do not exceed either maximum weight or width when choosing proper quantity of hinges.

Available Finishes



* Available On Select Models Only