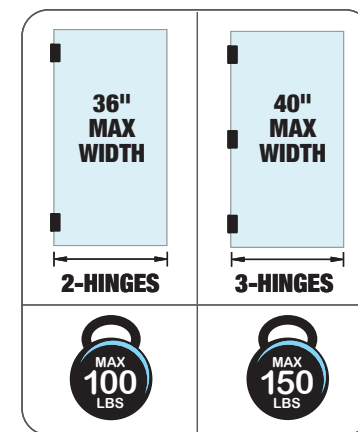
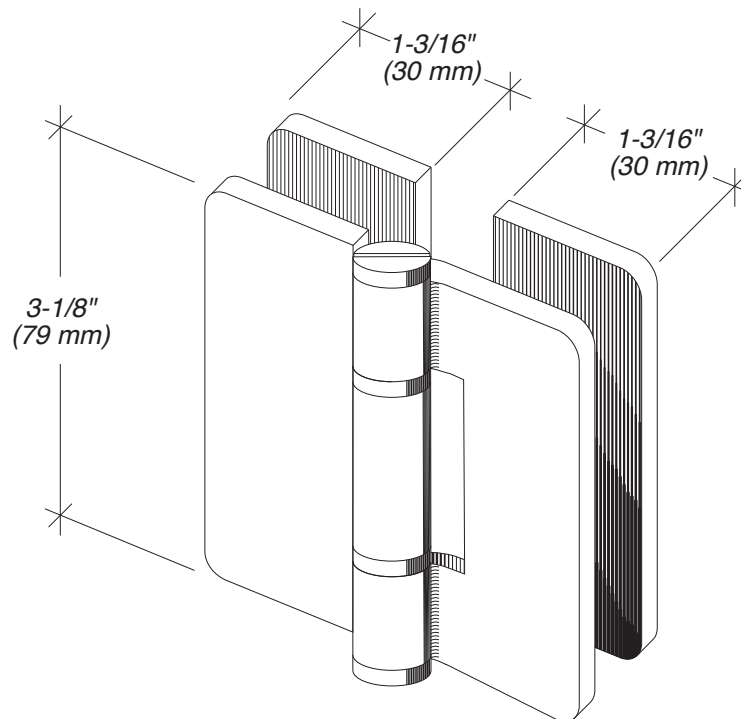


ZEPHYR

180 Degree Glass-to-Glass
 Inline Outswing Hinge
 ITEM NO. ZEP07

SPECIFICATIONS

Glass Sizes: 3/8" (10 mm) Tempered Glass Only
Construction: Stainless Steel or Solid Brass
Closing Type: Free Swinging - must be used with a Door Stop.
Cutout Required: See Page 2
Includes: Hinge body, glazing gaskets, allen head/phillips head cover plate screws, and fabrication template.
Use: Residential Bath and Commercial Hotel Applications



SEE TEMPLATE ON BACK
 Refer to Dimensions Shown to Ensure Accuracy

GASKET SPECIFICATIONS:

For 3/8" (10 mm) Glass: Use One Thick Gasket On Each Side

GLASS INSTRUCTIONS:

Only use tempered safety glass. To prevent damage to the hinge finish during installation, **do not** use power tools when installing these hinges.

IMPORTANT INFORMATION:

The Zephyr Series Hinge is a Free-Swinging Hinge. Zephyr Series Hinges have no self-centering mechanism and must be used with a Door Stop. Hinges swing in one direction only.

CARE & CLEANING GUIDELINES:

For best results, keep the following recommendations in mind when caring for your FHC shower door hardware. Your shower door should be dried daily with a soft towel or cloth to ensure its original finish. Do not use harsh cleaners or chemicals on the hardware, as many of the components are coated with a clear lacquer that will become damaged beyond repair. Always test your cleaning solution in an inconspicuous area prior to cleaning the entire hardware surface. Wipe surfaces clean using a soft, dampened cloth or sponge, and rinse completely with warm water immediately after applying the cleaning solution. Use only small amounts of liquid, gentle, cleaner. **Never** use abrasive products, sponges, or wire scrub brushes while cleaning hardware.

MAINTENANCE:

FHC's hinges come factory greased for a silent, hassle-free experience. If there is any noticeable squeaking that occurs after installation, it is recommended to apply a few drops of (3 in 1) multi-purpose oil to the hinge, at the nylon washer/pivot location. The lubricant will penetrate the hinge crevices, reducing friction, cleaning grime, and/or buildup. Spray lubricants are prohibited. If, for some reason, the hinge is disassembled during maintenance, use a small amount of white lithium grease to lubricate the interior hinge components.

MAXIMUM DOOR CAPACITY	3/8" (10 mm) GLASS Approx. 5 lb/ft ²	
	DOOR WEIGHT	DOOR WIDTH
USING 2 HINGES	100 LBS. (45 kg)	36" (914 mm)
USING 3 HINGES	150 LBS. (68 kg)	40" (1016 mm)

NOTE: Do not exceed either maximum weight or width when choosing proper quantity of hinges.

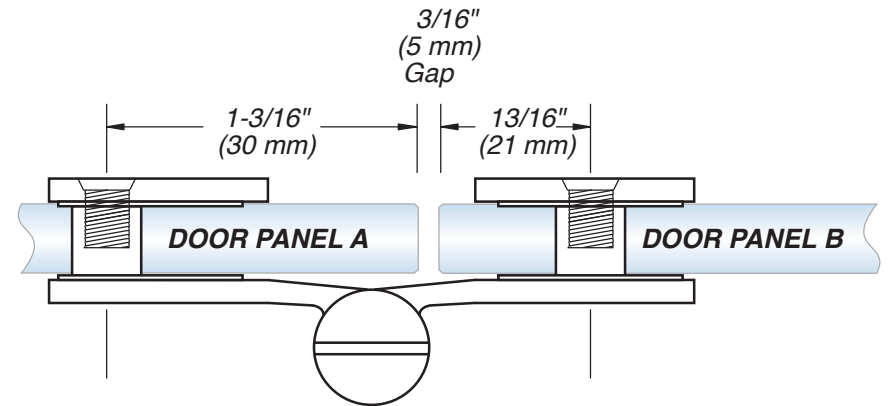
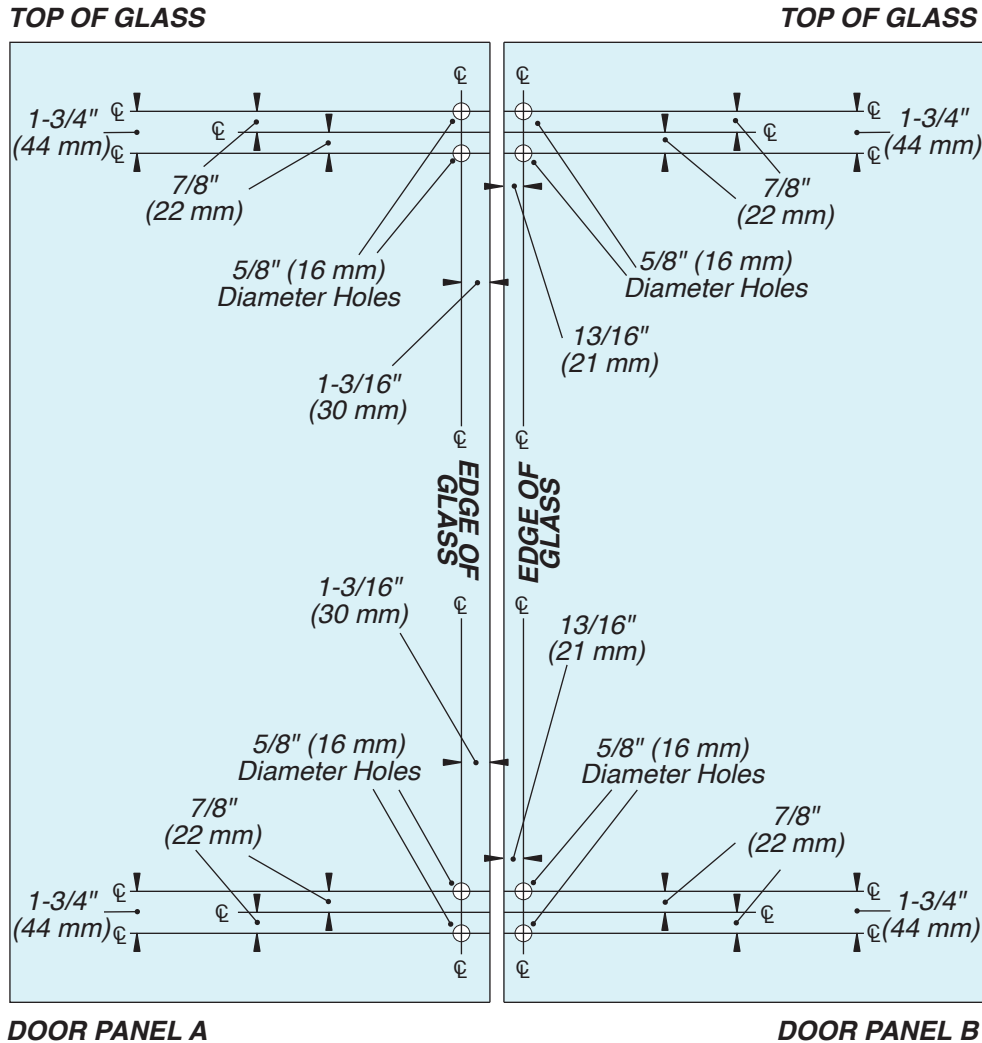


ZEPHYR

180 Degree Glass-to-Glass
 Inline Outswing Hinge
 ITEM NO. ZEP07



DO NOT MEASURE / SCALE DRAWING
 USE DIMENSIONS SHOWN



USE ONLY
 MONOLITHIC
 TEMPERED GLASS



For Technical Support
 Call Toll Free in the U.S.
 (888) 295-4531

FHC[®]
 FRAMELESS HARDWARE COMPANY
 THE GLAZING SUPPLY COMPANY
 EXPERIENCE AND INNOVATION