

FHC North American PF Series Patch Lock

PF215 MODELS

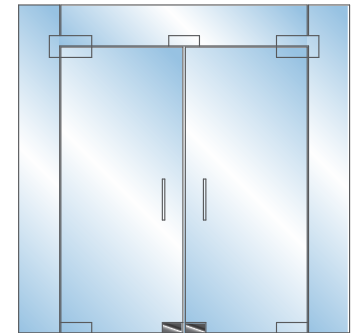
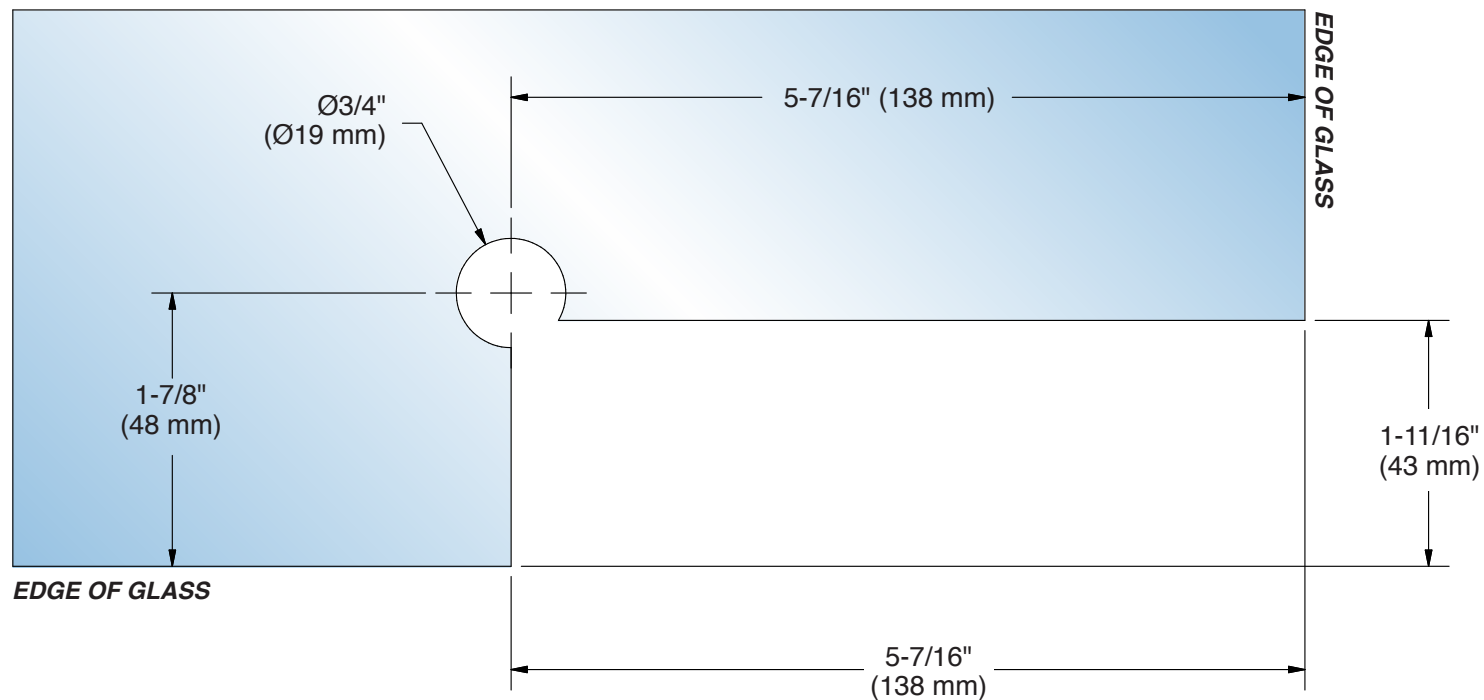
Door Corner Patch Lock with North American Cylinder Lock

DO NOT MEASURE / SCALE DRAWING
USE DIMENSIONS SHOWN



IMPORTANT:
Measure from Finished
Edge of Glass

Glass Cut Out



For Technical Support
Call Toll Free in the U.S.
(888) 295-4531