



18503

6030 Series

LCN®

Installation Instructions

Fig. 1

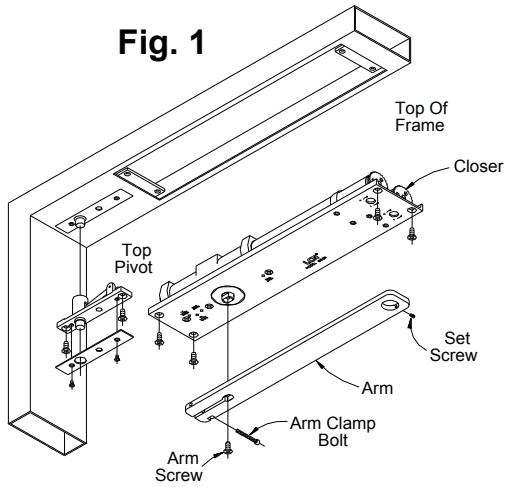


Fig. 2

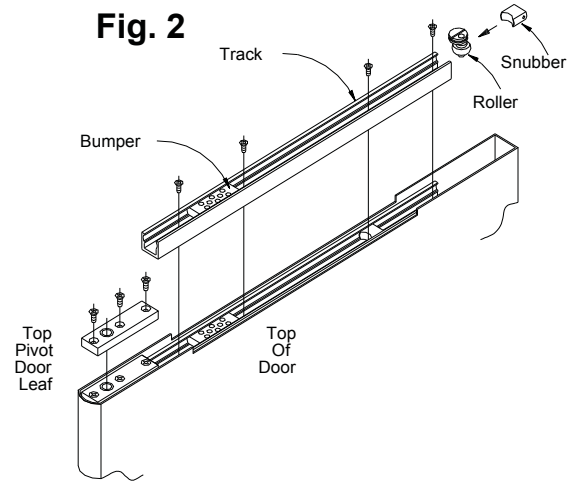
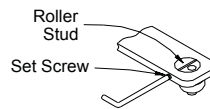


Fig. 3

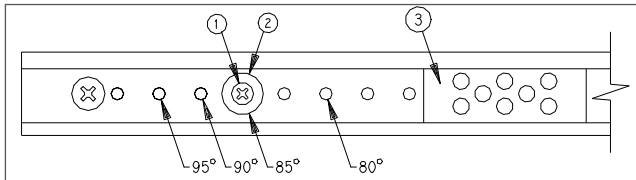


1

Prepare door and frame to receive pivot and closer, per templates on pages 2 and 3. Install pivot and closer.

2

Bumper (and optional hold-open, when ordered) are factory installed. If a different degree of opening is required, follow step 2A. Insert roller first, then snubber in track as shown in FIG. 2. Install track in door mortise using screws provided. Tighten screws.



- Slide bumper 3 away from post 2. Remove screw 1 and post 2, and reinstall in hole indicated above, tighten screw. Slide bumper 3 against post 2.

3

Door should now be hung on pivots. Refer to pivot installation sheet for details.

4

Attach arm to closer shaft with arm screw. Tighten screw securely.



Closer arm is under strong pressure to return. Hold it firmly during the next step.

5

Open door to 45°. Pull arm toward door and slide roller stud under hole in arm. Install stud in arm with slot crosswise as shown in FIG. 3. Turn set screw in just enough to retain roller stud, but do not tighten firmly. Allow door to close, and with arm horizontal, tighten arm clamp bolt (at shaft end of arm) with hex key provided.

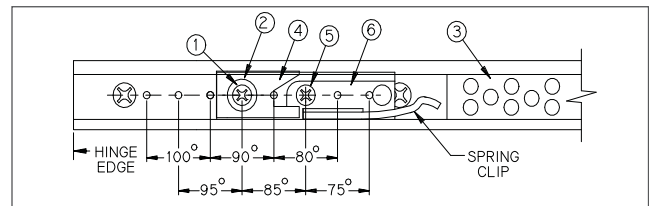
6

Closed door should be centered in frame. If not, open door part way and rotate roller stud about an eighth of a turn, using a screwdriver. (Set screw may need to be backed out slightly.) Repeat as needed till centered as required. When satisfied, tighten arm set screw securely. (When doors are paired, adjust both until edges match.) Open door, slide snubber into track at least 6" in from end. Allow door to close. This will automatically position the snubber correctly.

7

7a Location Adjustment of Hold Open Device

Slide bumper 3 away from pivot edge of door. Remove screw 1, post 2, adjusting cam 4, and screw 5. Slide holding clip 6 to locate screw holes over tapped holes in track as indicated below. Insert screw 5 and tighten securely. Replace cam 4, post 2, and screw 1, tighten securely. Slide bumper 3 against post 2.



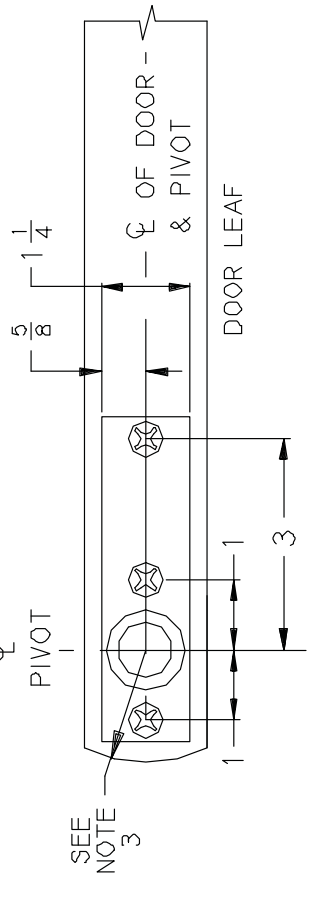
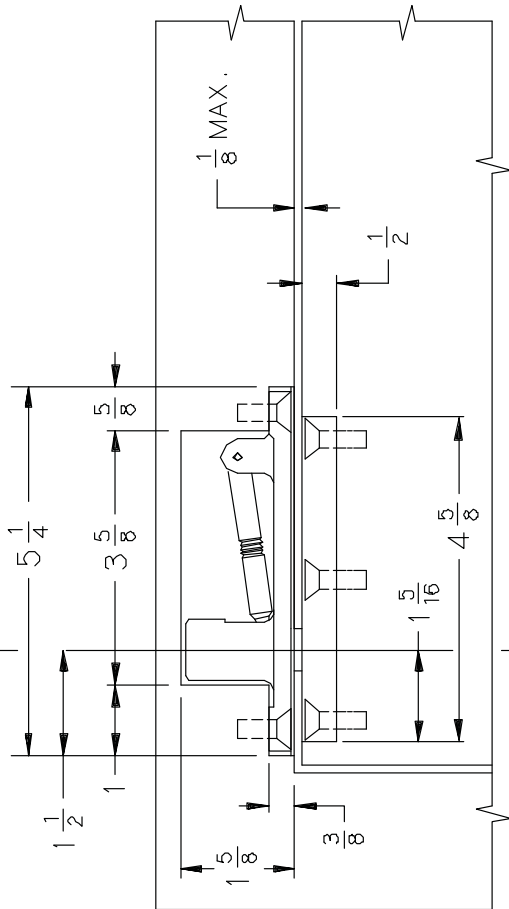
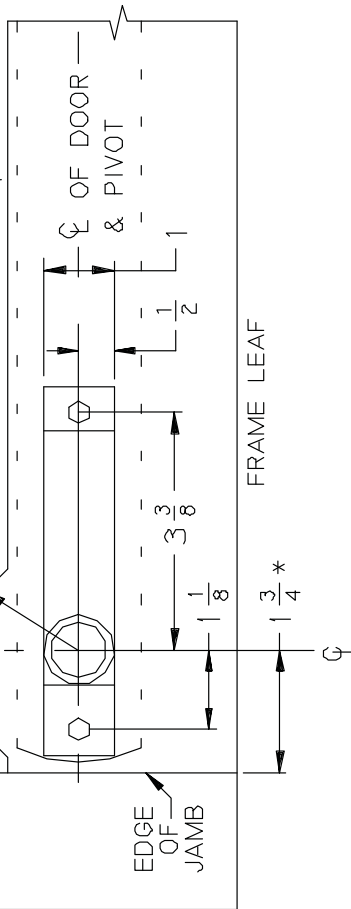
7b Intensity Adjustment of Hold Open Device

Test for release at hold open position. If holding force must be INCREASED, loosen screw 1 a quarter turn and slide cam 4 AWAY from pivot edge of door. Retighten screw 1 securely. For DECREASED holding force, cam 4 must be moved TOWARD pivot edge of door

7250-3101 TOP CENTER PIVOT

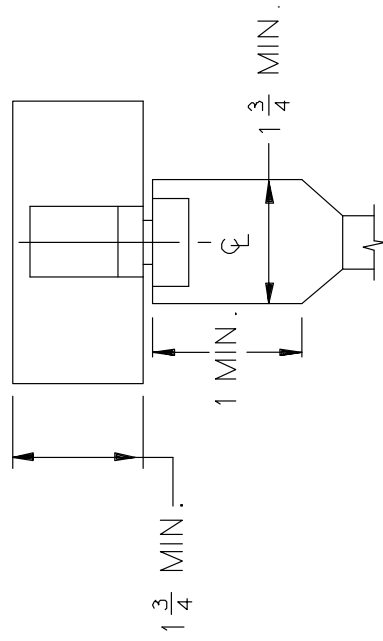
RIGHT HAND DOOR AND PIVOT SHOWN, LEFT HAND OPPOSITE 11/96

FOR SINGLE ACTING DOORS, RADIUS MUST BE CUT INTO HEAD STOP (RADIUS = PIVOT POINT TO JAMB DISTANCE - $1\frac{3}{4}$ MIN.)



NOTES:

1. INSTALLER MUST VERIFY THAT CENTERLINE OF TOP PIVOT POINT LINES UP WITH CENTERLINE OF BOTTOM PIVOT POINT.
2. RADIUS OF HEEL EDGE OF DOOR MUST NOT EXCEED PIVOT POINT TO JAMB DISTANCE. STANDARD 2" RADIUS IS SHOWN.
3. PIVOTS MANUF. TO ACCEPT $\frac{1}{4}$ - $20 \times \frac{3}{4}$ " SS PHMS OR OPTIONAL No. 14 x $1\frac{1}{2}$ " PHWS.
- *4. PIVOT CENTER MAY BE VARIED AS DESIRED. MINIMUM DISTANCE IS $1\frac{3}{4}$ AS SHOWN.
5. REINFORCING PER ANSI/SDI-100 RECOMMENDED FOR HOLLOW METAL DOORS & FRAMES.



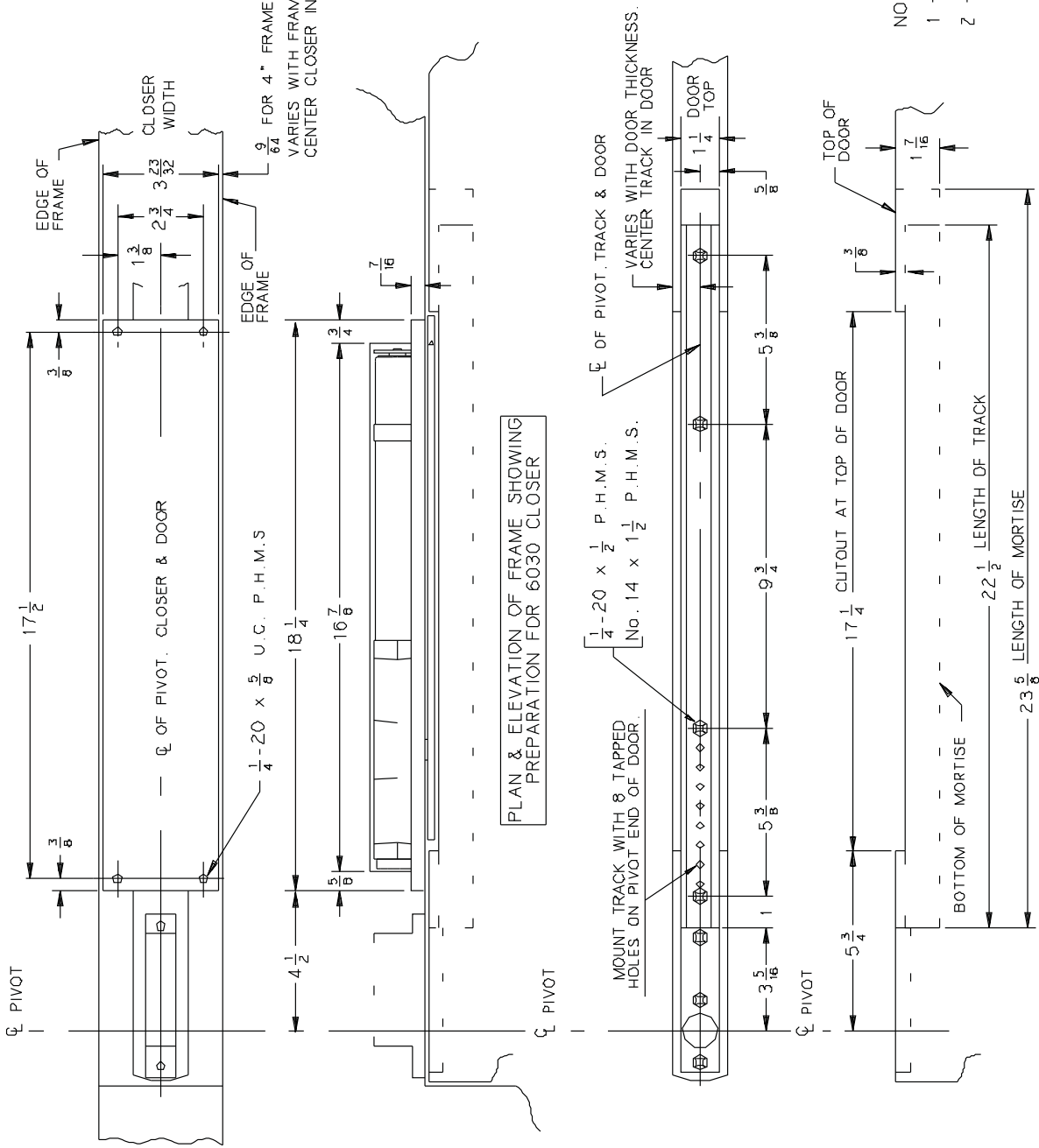
INCH	1	1 1/8	1 1/4	1 1/2	1 5/8	1 3/4	1 7/8	2	2 1/8	2 1/4	2 3/8	2 1/2	2 5/8	2 3/4	3	3 1/8	3 1/4	3 3/8	3 1/2	3 5/8	3 3/4	4	4 1/8	4 1/4	4 3/8	4 1/2	4 5/8	4 3/4	5	5 1/8	5 1/4	5 3/8	5 1/2	5 5/8	5 3/4	6		
M.M.	3	6	10	12	16	19	25	29	32	33	38	41	44	76	86	92	117	133																				

No.	REVISION	BY	DATE	APP
0	NEW TEMPLATE	CTB	9/96	CTB 11/96
1	REVISED TEMPLATE	AMM	9/99	DO NOT SCALE
				TOP CENTER PIVOT. USED IN SETS: 7253, 7255, 7255J & 7256
				7250-3101 TOP PIVOT

6031-CP } NON HOLD OPEN (UP TO 95°)
 6032-CP } H-90 (80° TO 95°)
 6033-CP } MAX. OPENING 95°
 6034-CP }
 6035-CP }

AUXILIARY STOP RECOMMENDED
 CONCEALED DOUBLE ACTING CLOSER 6/96

PIVOT, DOOR, TRACK AND CLOSER MUST ALL USE SAME CENTERLINE.



- NOTES :
- 1 - 1/8" DOOR TO SOFFIT CLEARANCE REQUIRED.
 - 2 - REINFORCING PER ANSI/SDI-100 RECOMMENDED FOR HOLLOW METAL DOOR AND FRAMES.

No.	REVISION	BY	DATE	APP
1	CAD CONVERSION	CTB	8/93	BY JEJ 6/96
2	TEMPLATE UPDATE	JEJ	6/96	DO NOT SCALE
3	REMOVED PIVOT INFO.	AMM	5/01	

OVERHEAD CONCEALED DOUBLE ACTING CLOSER WITH CENTER PIVOTS

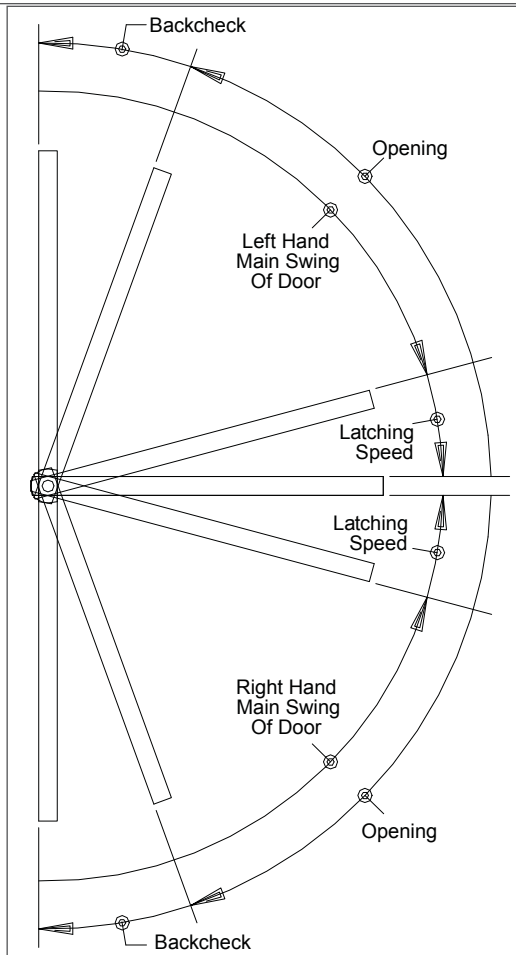
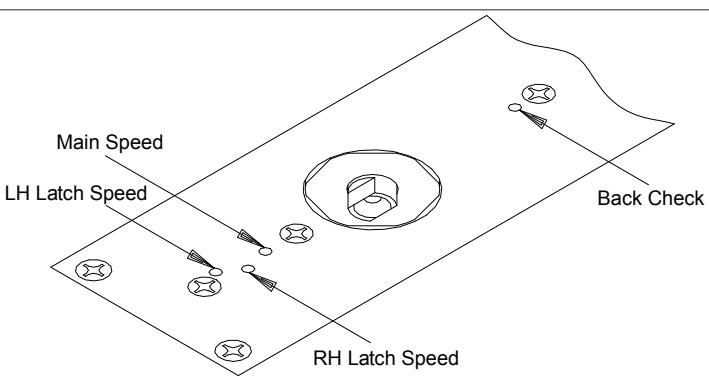
6030-CP

Regulation:

7c To regulate main swing speed: There is one main swing speed adjusting screw for both swings of door. If adjustment is required, turn screw clockwise to slow down main swing of door. To speed up main swing, turn screw counterclockwise. A normal closing time from 90° open position is 5 to 7 seconds, evenly divided between main swing speed and latch swing speed. Use a 3/32" hex wrench.

7d To regulate latch swing speed: There are two latch swing speed adjusting screws. Refer to diagram to identify hand of swing, and use screw marked LH (left hand) or RH (right hand). If adjustment is required, turn appropriate screw clockwise to slow down latch swing. To speed up latch swing, turn screw counterclockwise.

7e To adjust backcheck intensity: There is one backcheck adjustment screw for both swings of door. Adjust to lightest backcheck that will retard door opening speed during the last few degrees of opening. **CAUTION:** Do not set an abrupt backcheck or expect closer to act as a door stop. To increase backcheck, turn screw clockwise. To reduce backcheck, turn screw counterclockwise.



CAUTION
 IMPROPER INSTALLATION OR REGULATION MAY RESULT IN PERSONAL INJURY OR PROPERTY DAMAGE. FOLLOW ALL INSTRUCTIONS CAREFULLY. FOR QUESTIONS, CALL LCN AT 877-671-7011

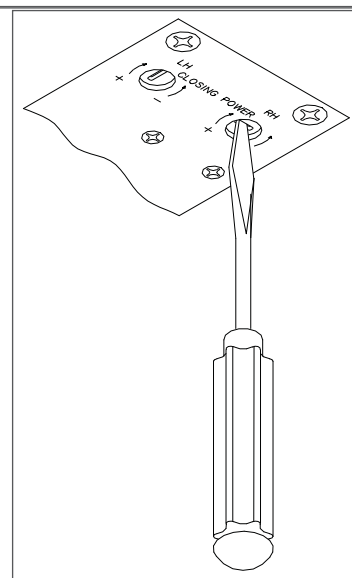
Closing Power Adjustment

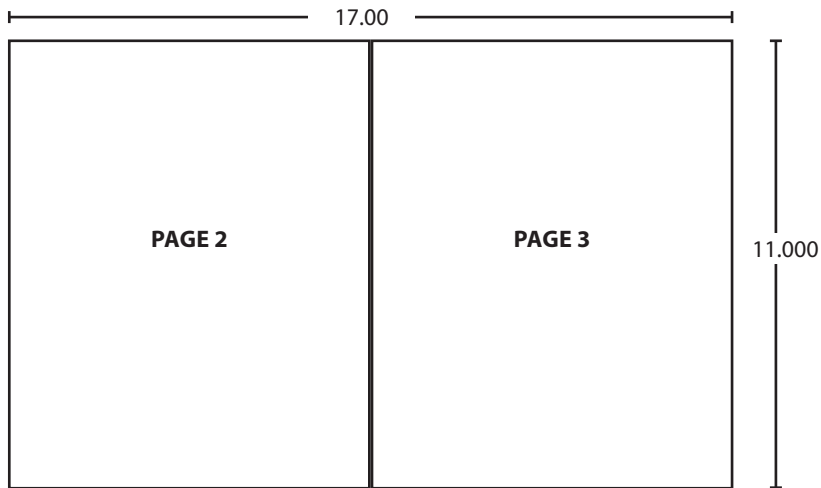
Closer is shipped with minimum closing power, and power of each swing can be individually increased. To adjust, use spring adjustment screw that corresponds with hand of swing in regulation diagram. To increase, turn screw clockwise. Maximum adjustment is 36 turns.

Table of Sizes		
Maximum width of doors		Catalog No. of Closer
Exterior	Interior	
----	38" (965 mm)	6033
36" (900 mm)	48" (1220 mm)	6034
42" (1065 mm)	54" (1370 mm)	6035

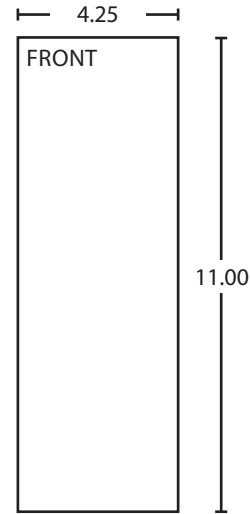
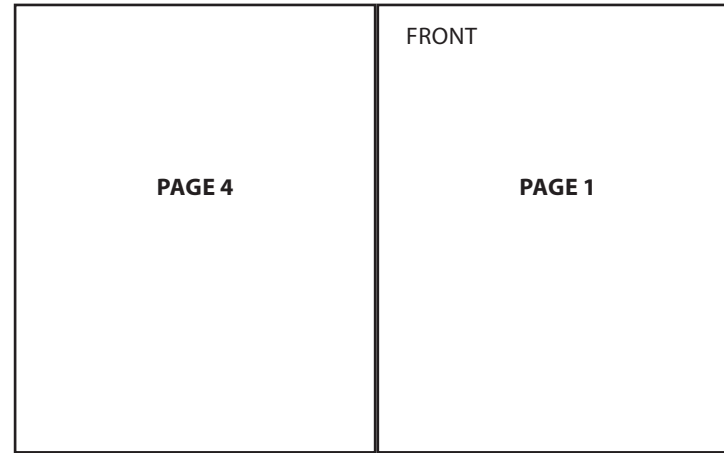
① **NOTE: Specify next higher closer where strong drafts exist.**

Customer Service
 1-877-671-7011 www.allegion.com/us





BEGINNING SHEET



FOLDED SHEET

Additional Notes:
1. None

Revision History						Revision Description:					
H	J	K	L	M	N	H > Revised artwork					
043228											
Material						Edited By		Approved By		EC Number	Release Date
White Paper						D. Myers		M. Sasso		043228	01-01-14
Notes						Title					
1. printed two sides						6030 Series Instruction Sheet					
2. printed black						Creation Date		Number		Revision	
3. tolerance $\pm .13$						05-10-10		18503		H	
4. printed in country may vary						Created By		Activity		© Allegion 2014	
5. drawings not to scale						N/A		3899 Hancock Expwy Security, CO 80911			
						Software: InDesign CS6					