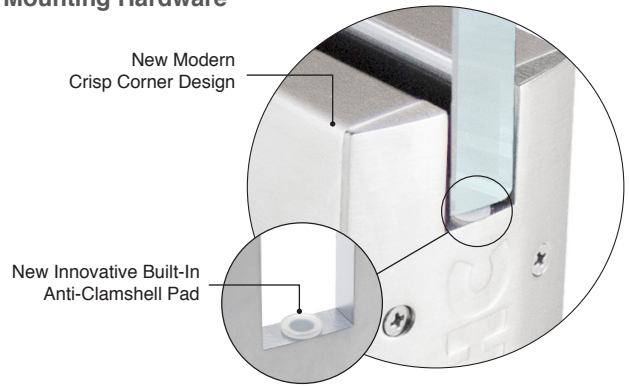
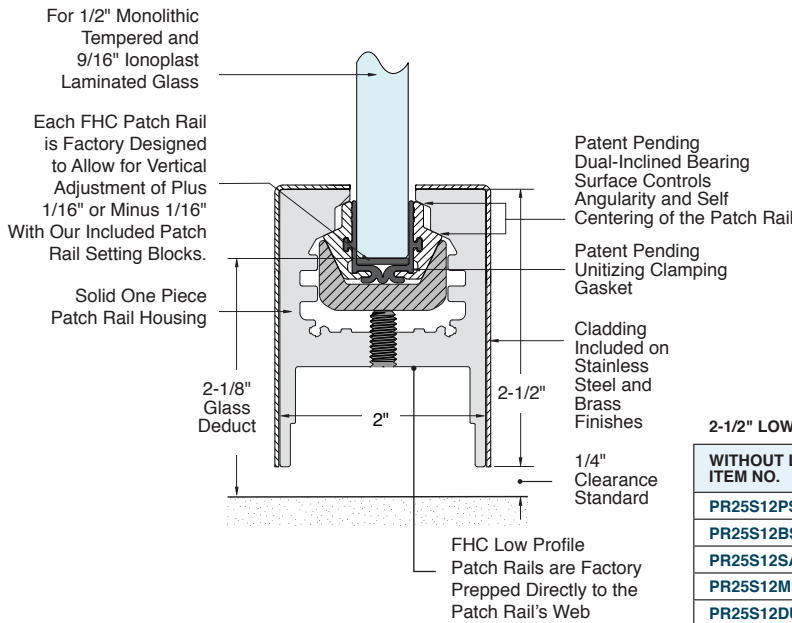


# FHC-ADVANCE SERIES FRAMELESS GLASS ENTRANCE SYSTEM

## Advance HERC-DOOR<sup>™</sup> Rail

### 2-1/2" Low Profile Square 9-1/2" Patch Rail 1/2" or 9/16" Tempered Glass

- Patent Pending UNITIZING GASKET / Dual-Inclined Control Surfaces
- Easiest and Fastest Patch Rail to Install in the Industry
- New Modern Crisp Corner Design
- For 1/2" Monolithic Tempered and 9/16" Laminated Tempered Glass
- Class 1 Anodizing UV Stable Finishes That Will Not Fade
- Increased Glass Bite Improves Holding Strength and Aesthetics
- Solid One Piece Aluminum Housing
- State of the Art Solid Forged Brass Plated End Caps With Premium Finishes
- New Innovative Anti-Clamshell Pad End Cap
- Available With or Without Lock
- Available In a Wide Range of Architectural Finishes
- Accepts Standard Size Mounting Hardware



#### 2-1/2" LOW PROFILE SQUARE PATCH RAILS 9-1/2" LENGTH - STOCK PRODUCTS

WITHOUT LOCK ITEM NO.	WITH LOCK ITEM NO.	DESCRIPTION
PR25S12PS	PR25S12PSL	Low Profile Square Patch Rail 9-1/2" Long Polished Stainless Steel
PR25S12BS	PR25S12BSL	Low Profile Square Patch Rail 9-1/2" Long Brushed Stainless Steel
PR25S12SA	PR25S12SAL	Low Profile Square Patch Rail 9-1/2" Long Satin Anodized
PR25S12MB	PR25S12MBL	Low Profile Square Patch Rail 9-1/2" Long Matte Black (Powder Coat)
PR25S12DU	PR25S12DUL	Low Profile Square Patch Rail 9-1/2" Long Dark Bronze Anodized

#### CUSTOM LENGTH 2-1/2" LOW PROFILE SQUARE PATCH RAILS SPECIFICATION AS SUPPLIED BY CUSTOMER

WITHOUT LOCK ITEM NO.	WITH LOCK ITEM NO.	DESCRIPTION
PR25S12PSC	PR25S12PSLC	Custom Low Profile Square Patch Rail Length Polished Stainless Steel
PR25S12BSC	PR25S12BSLC	Custom Low Profile Square Patch Rail Length Brushed Stainless Steel
PR25S12SAC	PR25S12SALC	Custom Low Profile Square Patch Rail Length Satin Anodized
PR25S12MBC	PR25S12MBLC	Custom Low Profile Square Patch Rail Length Matte Black (Powder Coat)
PR25S12DUC	PR25S12DULC	Custom Low Profile Square Patch Rail Length Dark Bronze Anodized
PR25S12PTC	PR25S12PTLC	Custom Low Profile Square Patch Rail Length Custom Paint Color

#### PRODUCT INFO/SPECIFICATIONS:

- CSI Format Specifications are Available for Download
- End Caps are Included with Every Patch Rail
- Patch Rails With Locks are Supplied Prepped and Installed, Keyed Cylinders, and Thumbturns are Sold Separately
- FHC Follows GANA Guidelines for Maximum Door Height and Widths. Reference the FHC Herc-Door Sizing Guidelines.

#### CARE & CLEANING

Brushed Stainless Steel, Polished Stainless Steel or Class 1 Anodized Finishes should be cleaned with a foam spray cleaner, such as: FHC GW19 Ammonia Free Cleaner. GW19 cleaner will assist with removing fingerprints, grease and water splatter. GW19 cleaner will also preserve the durable factory finish and can be wiped with a clean, dry cloth. FHC Lint Free Shop Wipes FHC3255 are recommended. These high performance wipes maintain their strength wet or dry and will not scratch the surface.



For Technical Support  
Call Toll Free in the U.S.  
**(888) 295-4531**

