

FHC-ADVANCE SERIES FRAMELESS GLASS ENTRANCE SYSTEM

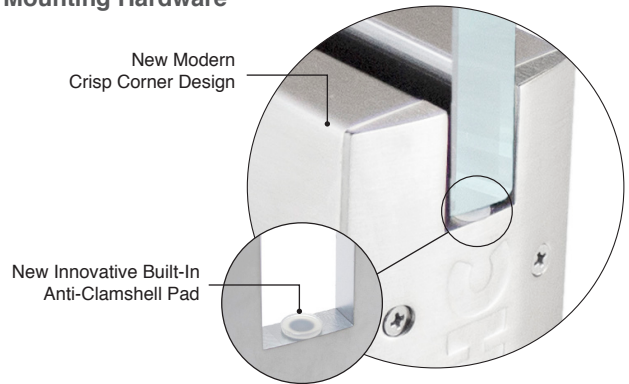
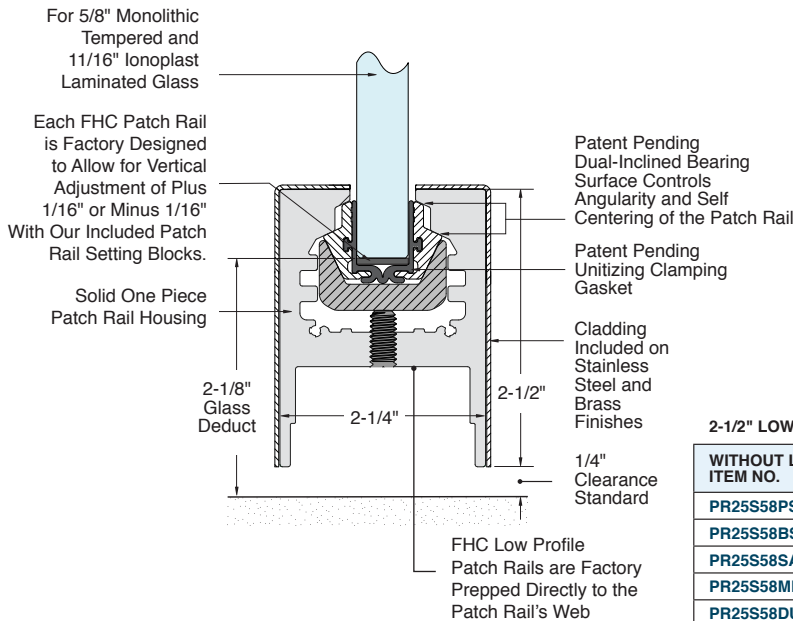
Advance HERC-DOOR[™] Rail

FRAMELESS HARDWARE CO.



2-1/2" Low Profile Square 12" Patch Rail 5/8" or 11/16" Tempered Glass

- Patent Pending UNITIZING GASKET / Dual-Inclined Control Surfaces
- Easiest and Fastest Patch Rail to Install in the Industry
- New Modern Crisp Corner Design
- For 5/8" Monolithic Tempered and 11/16" Laminated Tempered Glass
- Class 1 Anodizing UV Stable Finishes That Will Not Fade
- Increased Glass Bite Improves Holding Strength and Aesthetics
- Solid One Piece Aluminum Housing
- State of the Art Solid Forged Brass Plated End Caps With Premium Finishes
- New Innovative Anti-Clamshell Pad End Cap
- Available With or Without Lock
- Available In a Wide Range of Architectural Finishes
- Accepts Standard Size Mounting Hardware



2-1/2" LOW PROFILE SQUARE PATCH RAILS 12" LENGTH - STOCK PRODUCTS

WITHOUT LOCK ITEM NO.	WITH LOCK ITEM NO.	DESCRIPTION
PR25S58PS	PR25S58PSL	Low Profile Square Patch Rail 12" Long Polished Stainless Steel
PR25S58BS	PR25S58BSL	Low Profile Square Patch Rail 12" Long Brushed Stainless Steel
PR25S58SA	PR25S58SAL	Low Profile Square Patch Rail 12" Long Satin Anodized
PR25S58MB	PR25S58MBL	Low Profile Square Patch Rail 12" Long Matte Black (Powder Coat)
PR25S58DU	PR25S58DUL	Low Profile Square Patch Rail 12" Long Dark Bronze Anodized

CUSTOM LENGTH 2-1/2" LOW PROFILE SQUARE PATCH RAILS SPECIFICATION AS SUPPLIED BY CUSTOMER

WITHOUT LOCK ITEM NO.	WITH LOCK ITEM NO.	DESCRIPTION
PR25S58PSC	PR25S58PSLC	Custom Low Profile Square Patch Rail Length Polished Stainless Steel
PR25S58BSC	PR25S58BSLC	Custom Low Profile Square Patch Rail Length Brushed Stainless Steel
PR25S58SAC	PR25S58SALC	Custom Low Profile Square Patch Rail Length Satin Anodized
PR25S58MBC	PR25S58MBLC	Custom Low Profile Square Patch Rail Length Matte Black (Powder Coat)
PR25S58DUC	PR25S58DULC	Custom Low Profile Square Patch Rail Length Dark Bronze Anodized
PR25S58PTC	PR25S58PTLC	Custom Low Profile Square Patch Rail Length Custom Paint Color

PRODUCT INFO/SPECIFICATIONS:

- CSI Format Specifications are Available for Download
- End Caps are Included with Every Patch Rail
- Patch Rails With Locks are Supplied Prepped and Installed, Keyed Cylinders, and Thumbturns are Sold Separately
- FHC Follows GANA Guidelines for Maximum Door Height and Widths. Reference the FHC Herc-Door Sizing Guidelines.

CARE & CLEANING

Brushed Stainless Steel, Polished Stainless Steel or Class 1 Anodized Finishes should be cleaned with a foam spray cleaner, such as: FHC GW19 Ammonia Free Cleaner. GW19 cleaner will assist with removing fingerprints, grease and water splatter. GW19 cleaner will also preserve the durable factory finish and can be wiped with a clean, dry cloth. FHC Lint Free Shop Wipes FHC3255 are recommended. These high performance wipes maintain their strength wet or dry and will not scratch the surface.



For Technical Support
Call Toll Free in the U.S.
(888) 295-4531

