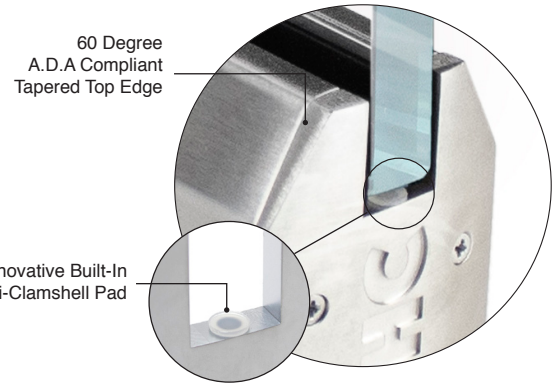
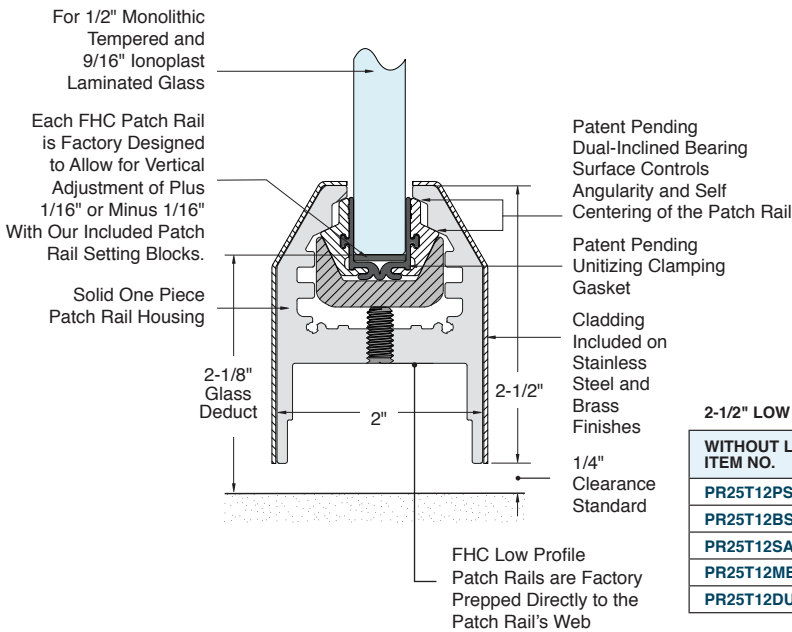


# FHC-ADVANCE SERIES FRAMELESS GLASS ENTRANCE SYSTEM

## Advance HERC-DOOR<sup>™</sup> Rail

### 2-1/2" Low Profile Tapered 9-1/2" Patch Rail 1/2" or 9/16" Tempered Glass

- Patent Pending UNITIZING GASKET / Dual-Inclined Control Surfaces
- Easiest and Fastest Patch Rail to Install in the Industry
- 60 Degree A.D.A Compliant Tapered Top Edge
- For 1/2" Monolithic Tempered and 9/16" Laminated Tempered Glass
- Class 1 Anodizing UV Stable Finishes That Will Not Fade
- Increased Glass Bite Improves Holding Strength and Aesthetics
- Solid One Piece Aluminum Housing
- State of the Art Solid Forged Brass Plated End Caps With Premium Finishes
- New Innovative Anti-Clamshell Pad End Cap
- Available With or Without Lock
- Available In a Wide Range of Architectural Finishes
- Accepts Standard Size Mounting Hardware



#### 2-1/2" LOW PROFILE TAPERED PATCH RAILS 9-1/2" LENGTH - STOCK PRODUCTS

| WITHOUT LOCK ITEM NO. | WITH LOCK ITEM NO. | DESCRIPTION  |
|-----------------------|--------------------|--|
| PR25T12PS             | PR25T12PSL         | Low Profile Tapered Patch Rail 9-1/2" Long Polished Stainless Steel  |
| PR25T12BS             | PR25T12BSL         | Low Profile Tapered Patch Rail 9-1/2" Long Brushed Stainless Steel   |
| PR25T12SA             | PR25T12SAL         | Low Profile Tapered Patch Rail 9-1/2" Long Satin Anodized            |
| PR25T12MB             | PR25T12MBL         | Low Profile Tapered Patch Rail 9-1/2" Long Matte Black (Powder Coat) |
| PR25T12DU             | PR25T12DUL         | Low Profile Tapered Patch Rail 9-1/2" Long Dark Bronze Anodized      |

#### CUSTOM LENGTH 2-1/2" LOW PROFILE TAPERED PATCH RAILS SPECIFICATION AS SUPPLIED BY CUSTOMER

| WITHOUT LOCK ITEM NO. | WITH LOCK ITEM NO. | DESCRIPTION  |
|-----------------------|--------------------|--|
| PR25T12PSC            | PR25T12PSLC        | Custom Low Profile Tapered Patch Rail Length Polished Stainless Steel  |
| PR25T12BSC            | PR25T12BSLC        | Custom Low Profile Tapered Patch Rail Length Brushed Stainless Steel   |
| PR25T12SAC            | PR25T12SALC        | Custom Low Profile Tapered Patch Rail Length Satin Anodized            |
| PR25T12MBC            | PR25T12MBLC        | Custom Low Profile Tapered Patch Rail Length Matte Black (Powder Coat) |
| PR25T12DUC            | PR25T12DULC        | Custom Low Profile Tapered Patch Rail Length Dark Bronze Anodized      |
| PR25T12PTC            | PR25T12PTLC        | Custom Low Profile Tapered Patch Rail Length Custom Paint Color        |

#### PRODUCT INFO/SPECIFICATIONS:

- CSI Format Specifications are Available for Download
- End Caps are Included with Every Patch Rail
- Patch Rails With Locks are Supplied Prepped and Installed, Keyed Cylinders, and Thumbturns are Sold Separately
- FHC Follows GANA Guidelines for Maximum Door Height and Widths. Reference the FHC Herc-Door Sizing Guidelines.

#### CARE & CLEANING

Brushed Stainless Steel, Polished Stainless Steel or Class 1 Anodized Finishes should be cleaned with a foam spray cleaner, such as: FHC GW19 Ammonia Free Cleaner. GW19 cleaner will assist with removing fingerprints, grease and water splatter. GW19 cleaner will also preserve the durable factory finish and can be wiped with a clean, dry cloth. FHC Lint Free Shop Wipes FHC3255 are recommended. These high performance wipes maintain their strength wet or dry and will not scratch the surface.



For Technical Support  
Call Toll Free in the U.S.  
**(888) 295-4531**

