

FHC-ADVANCE SERIES FRAMELESS GLASS ENTRANCE SYSTEM

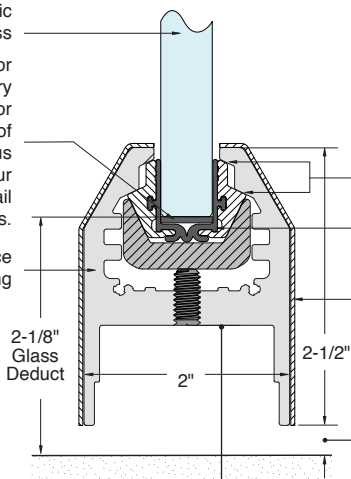
Advance HERC-DOOR[™] Rail

2-1/2" Low Profile Tapered 9-1/2" Patch Rail 3/8" Monolithic Glass

- Patent Pending UNITIZING GASKET / Dual-Inclined Control Surfaces
- Easiest and Fastest Rail to Install in the Industry
- 60 Degree A.D.A Compliant Tapered Top Edge
- For 3/8" Monolithic Tempered Glass
- Class 1 Anodizing UV Stable Finishes That Will Not Fade
- Increased Glass Bite Improves Holding Strength and Aesthetics
- Solid One Piece Aluminum Housing
- State of the Art Solid Forged Brass Plated End Caps With Premium Finishes
- New Innovative Anti-Clamshell Pad End Cap
- Available With or Without Lock
- Available In a Wide Range of Architectural Finishes
- Accepts Standard Size Mounting Hardware



For 3/8" Monolithic Tempered Glass
Each FHC Door Patch Rail is Factory Designed to Allow for Vertical Adjustment of Plus 1/16" or Minus 1/16" With Our Included Patch Rail Setting Blocks.
Solid One Piece Patch Rail Housing



FHC Low Profile Patch Rails are Factory Prepped Directly to the Patch Rail's Web



Patent Pending Dual-Inclined Bearing Surface Controls Angularity and Self Centering of the Patch Rail

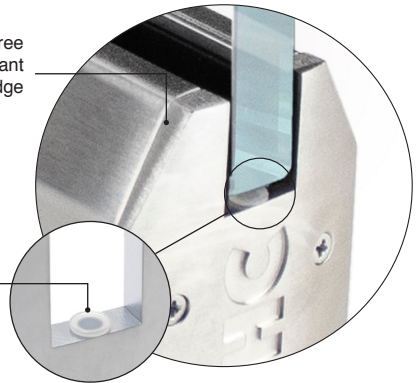
Patent Pending Unitizing Clamping Gasket

Cladding Included on Stainless Steel and Brass Finishes

1/4" Clearance Standard

60 Degree A.D.A Compliant Tapered Top Edge

New Innovative Built-In Anti-Clamshell Pad



2-1/2" LOW PROFILE TAPERED PATCH RAILS 9-1/2" LENGTH - STOCK PRODUCTS

WITHOUT LOCK ITEM NO.	WITH LOCK ITEM NO.	DESCRIPTION
PR25T38PS	PR25T38PSL	Low Profile Tapered Patch Rail 9-1/2" Long Polished Stainless Steel
PR25T38BS	PR25T38BSL	Low Profile Tapered Patch Rail 9-1/2" Long Brushed Stainless Steel
PR25T38SA	PR25T38SAL	Low Profile Tapered Patch Rail 9-1/2" Long Satin Anodized
PR25T38MB	PR25T38MBL	Low Profile Tapered Patch Rail 9-1/2" Long Matte Black (Powder Coat)
PR25T38DU	PR25T38DUL	Low Profile Tapered Patch Rail 9-1/2" Long Dark Bronze Anodized

CUSTOM LENGTH 2-1/2" LOW PROFILE TAPERED PATCH RAILS SPECIFICATION AS SUPPLIED BY CUSTOMER

WITHOUT LOCK ITEM NO.	WITH LOCK ITEM NO.	DESCRIPTION
PR25T38PSC	PR25T38PSLC	Custom Low Profile Tapered Patch Rail Length Polished Stainless Steel
PR25T38BSC	PR25T38BSLC	Custom Low Profile Tapered Patch Rail Length Brushed Stainless Steel
PR25T38SAC	PR25T38SALC	Custom Low Profile Tapered Patch Rail Length Satin Anodized
PR25T38MBC	PR25T38MBLC	Custom Low Profile Tapered Patch Rail Length Matte Black (Powder Coat)
PR25T38DUC	PR25T38DULC	Custom Low Profile Tapered Patch Rail Length Dark Bronze Anodized
PR25T38PTC	PR25T38PTLC	Custom Low Profile Tapered Patch Rail Length Custom Paint Color

PRODUCT INFO/SPECIFICATIONS:

- CSI Format Specifications are Available for Download
- End Caps are Included with Every Patch Rail
- Patch Rails With Locks are Supplied Prepped and Installed, Keyed Cylinders, and Thumbturns are Sold Separately
- FHC Follows GANA Guidelines for Maximum Door Height and Widths. Reference the FHC Herc-Door Sizing Guidelines.

CARE & CLEANING

Brushed Stainless Steel, Polished Stainless Steel or Class 1 Anodized Finishes should be cleaned with a foam spray cleaner, such as: FHC GW19 Ammonia Free Cleaner. GW19 cleaner will assist with removing fingerprints, grease and water splatter. GW19 cleaner will also preserve the durable factory finish and can be wiped with a clean, dry cloth. FHC Lint Free Shop Wipes FHC3255 are recommended. These high performance wipes maintain their strength wet or dry and will not scratch the surface.



For Technical Support
Call Toll Free in the U.S.
(888) 295-4531

