

# FHC-ADVANCE SERIES FRAMELESS GLASS ENTRANCE SYSTEM

## Advance **HERC-DOOR**™ Rail

### 4" Square 9-1/2" Patch Rail 1/2" or 9/16" Tempered Glass

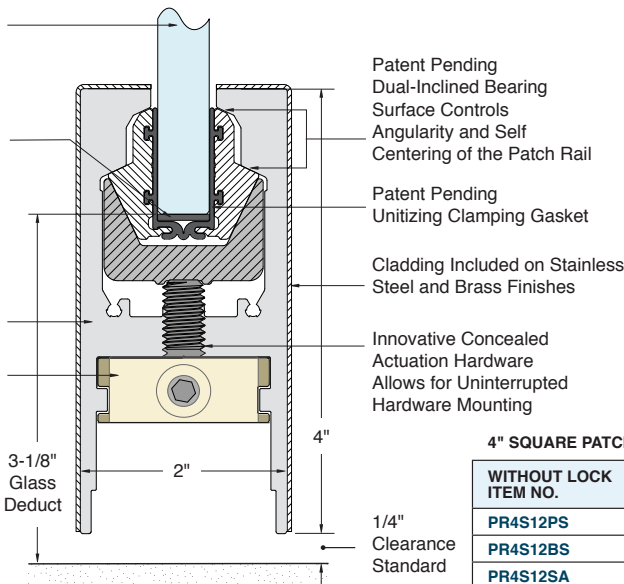
- Patent Pending UNITIZING GASKET / Dual-Inclined Control Surfaces
- Easiest and Fastest Patch Rail to Install in the Industry
- New Modern Crisp Corner Design
- For 1/2" Monolithic Tempered and 9/16" Laminated Tempered Glass
- Class 1 Anodizing UV Stable Finishes That Will Not Fade
- New Improved Pivot Alignment System "PAS" Included With Each Rail
- Increased Glass Bite Improves Holding Strength and Aesthetics
- Solid One Piece Aluminum Housing
- State of the Art Solid Forged Brass Plated End Caps With Premium Finishes
- New Innovative Anti-Clamshell Pad End Cap
- Available With or Without Lock
- Available In a Wide Range of Architectural Finishes



For 1/2" Monolithic Tempered and 9/16" Ionoplast Laminated Glass

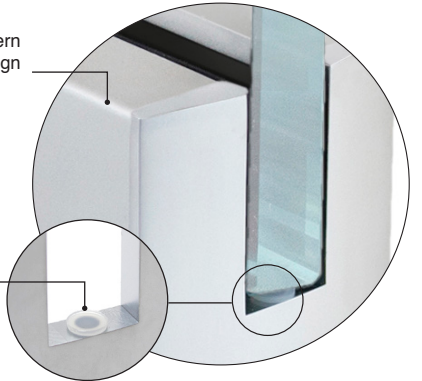
Each FHC Patch Rail is Factory Designed to Allow for Vertical Adjustment of Plus 1/8" or Minus 1/16" With Our Included Patch Rail Setting Blocks.

Solid One Piece Patch Rail Housing  
PAS Pivot Alignment System With Hardware Mounting Block Allows 3/8" Adjustments



Patent Pending Dual-Inclined Bearing Surface Controls Angularity and Self Centering of the Patch Rail  
Patent Pending Unitizing Clamping Gasket  
Cladding Included on Stainless Steel and Brass Finishes  
Innovative Concealed Actuation Hardware Allows for Uninterrupted Hardware Mounting

New Modern Crisp Corner Design  
New Innovative Built-In Anti-Clamshell Pad



#### 4" SQUARE PATCH RAILS 9-1/2" LENGTH - STOCK PRODUCTS

WITHOUT LOCK ITEM NO.	WITH LOCK ITEM NO.	DESCRIPTION
PR4S12PS	PR4S12PSL	Square Patch Rail 9-1/2" Long Polished Stainless Steel
PR4S12BS	PR4S12BSL	Square Patch Rail 9-1/2" Long Brushed Stainless Steel
PR4S12SA	PR4S12SAL	Square Patch Rail 9-1/2" Long Satin Anodized
PR4S12MB	PR4S12MBL	Square Patch Rail 9-1/2" Long Matte Black (Powder Coat)
PR4S12DU	PR4S12DUL	Square Patch Rail 9-1/2" Long Dark Bronze Anodized

#### CUSTOM LENGTH 4" SQUARE PATCH RAILS - SPECIFICATION AS SUPPLIED BY CUSTOMER

WITHOUT LOCK ITEM NO.	WITH LOCK ITEM NO.	DESCRIPTION
PR4S12PSC	PR4S12PSLC	Custom Square Patch Rail Length Polished Stainless Steel
PR4S12BSC	PR4S12BSLC	Custom Square Patch Rail Length Brushed Stainless Steel
PR4S12SAC	PR4S12SALC	Custom Square Patch Rail Length Satin Anodized
PR4S12MBC	PR4S12MBLC	Custom Square Patch Rail Length Matte Black (Powder Coat)
PR4S12DUC	PR4S12DULC	Custom Square Patch Rail Length Dark Bronze Anodized
PR4S12PTC	PR4S12PTLC	Custom Square Patch Rail Length Custom Paint Color

#### PRODUCT INFO/SPECIFICATIONS:

- CSI Format Specifications are Available for Download
- End Caps are Included with Every Patch Rail
- Patch Rails With Locks are Supplied Prepped and Installed, Keyed Cylinders, and Thumbturns are Sold Separately
- FHC Follows GANA Guidelines for Maximum Door Height and Widths. Reference the FHC Herc-Door Sizing Guidelines.

#### CARE & CLEANING

Brushed Stainless Steel, Polished Stainless Steel or Class 1 Anodized Finishes should be cleaned with a foam spray cleaner, such as: FHC GW19 Ammonia Free Cleaner. GW19 cleaner will assist with removing fingerprints, grease and water splatter. GW19 cleaner will also preserve the durable factory finish and can be wiped with a clean, dry cloth. FHC Lint Free Shop Wipes FHC3255 are recommended. These high performance wipes maintain their strength wet or dry and will not scratch the surface.



For Technical Support  
Call Toll Free in the U.S.  
**(888) 295-4531**

