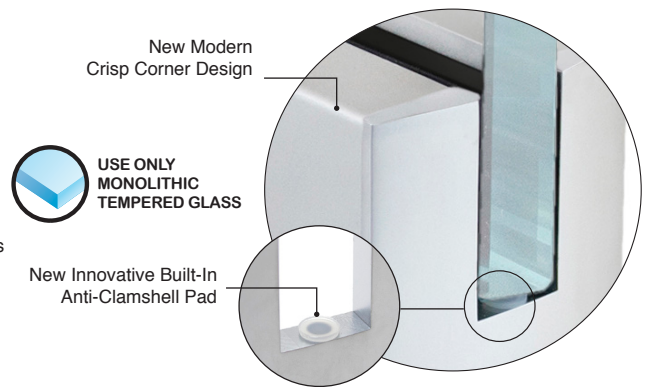
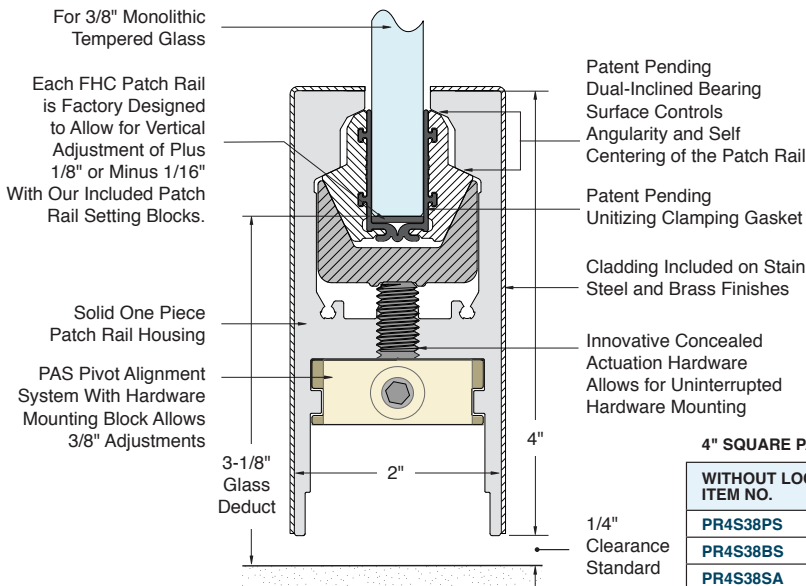


FHC-ADVANCE SERIES FRAMELESS GLASS ENTRANCE SYSTEM

Advance HERC-DOOR™ Rail

4" Square 9-1/2" Patch Rail 3/8" Monolithic Glass

- Patent Pending UNITIZING GASKET / Dual-Inclined Control Surfaces
- Easiest and Fastest Patch Rail to Install in the Industry
- New Modern Crisp Corner Design
- For 3/8" Monolithic Tempered Glass
- Class 1 Anodizing UV Stable Finishes That Will Not Fade
- New Improved Pivot Alignment System "PAS" Included With Each Rail
- Increased Glass Bite Improves Holding Strength and Aesthetics
- Solid One Piece Aluminum Housing
- State of the Art Solid Forged Brass Plated End Caps With Premium Finishes
- New Innovative Anti-Clamshell Pad End Cap
- Available With or Without Lock
- Available In a Wide Range of Architectural Finishes



4" SQUARE PATCH RAILS 9-1/2" LENGTH - STOCK PRODUCTS

WITHOUT LOCK ITEM NO.	WITH LOCK ITEM NO.	DESCRIPTION
PR4S38PS	PR4S38PSL	Square Patch Rail 9-1/2" Long Polished Stainless Steel
PR4S38BS	PR4S38BSL	Square Patch Rail 9-1/2" Long Brushed Stainless Steel
PR4S38SA	PR4S38SAL	Square Patch Rail 9-1/2" Long Satin Anodized
PR4S38MB	PR4S38MBL	Square Patch Rail 9-1/2" Long Matte Black (Powder Coat)
PR4S38DU	PR4S38DUL	Square Patch Rail 9-1/2" Long Dark Bronze Anodized

CUSTOM LENGTH 4" SQUARE PATCH RAILS - SPECIFICATION AS SUPPLIED BY CUSTOMER

WITHOUT LOCK ITEM NO.	WITH LOCK ITEM NO.	DESCRIPTION
PR4S38PSC	PR4S38PSLC	Custom Square Patch Rail Length Polished Stainless Steel
PR4S38BSC	PR4S38BSLC	Custom Square Patch Rail Length Brushed Stainless Steel
PR4S38SAC	PR4S38SALC	Custom Square Patch Rail Length Satin Anodized
PR4S38MBC	PR4S38MBLC	Custom Square Patch Rail Length Matte Black (Powder Coat)
PR4S38DUC	PR4S38DULC	Custom Square Patch Rail Length Dark Bronze Anodized
PR4S38PTC	PR4S38PTLC	Custom Square Patch Rail Length Custom Paint Color

PRODUCT INFO/SPECIFICATIONS:

- CSI Format Specifications are Available for Download
- End Caps are Included with Every Patch Rail
- Patch Rails With Locks are Supplied Prepped and Installed, Keyed Cylinders, and Thumbturns are Sold Separately
- FHC Follows GANA Guidelines for Maximum Door Height and Widths. Reference the FHC Herc-Door Sizing Guidelines.

CARE & CLEANING

Brushed Stainless Steel, Polished Stainless Steel or Class 1 Anodized Finishes should be cleaned with a foam spray cleaner, such as: FHC GW19 Ammonia Free Cleaner. GW19 cleaner will assist with removing fingerprints, grease and water splatter. GW19 cleaner will also preserve the durable factory finish and can be wiped with a clean, dry cloth. FHC Lint Free Shop Wipes FHC3255 are recommended. These high performance wipes maintain their strength wet or dry and will not scratch the surface.



For Technical Support
Call Toll Free in the U.S.
(888) 295-4531

