

# FHC-ADVANCE SERIES FRAMELESS GLASS ENTRANCE SYSTEM

## Advance **HERC-DOOR** Rail

### 4" Tapered 12" Patch Rail 3/4" or 13/16" Tempered Glass

- Patent Pending UNITIZING GASKET / Dual-Inclined Control Surfaces
- Easiest and Fastest Patch Rail to Install in the Industry
- 60 Degree A.D.A Compliant Tapered Top Edge
- For 3/4" Monolithic Tempered and 13/16" Laminated Tempered Glass
- Class 1 Anodizing UV Stable Finishes That Will Not Fade
- New Improved Pivot Alignment System "PAS" Included With Each Rail
- Increased Glass Bite Improves Holding Strength and Aesthetics
- Solid One Piece Aluminum Housing
- State of the Art Solid Forged Brass Plated End Caps With Premium Finishes
- New Innovative Anti-Clamshell Pad End Cap
- Available With or Without Lock
- Available In a Wide Range of Architectural Finishes

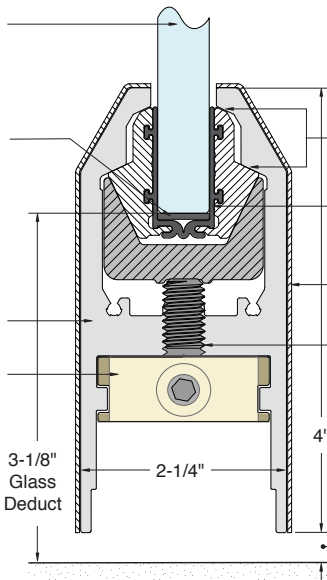


For 3/4" Monolithic Tempered and 13/16" Ionoplast Laminated Glass

Each FHC Patch Rail is Factory Designed to Allow for Vertical Adjustment of Plus 1/8" or Minus 1/16" With Our Included Patch Rail Setting Blocks.

Solid One Piece Patch Rail Housing

PAS Pivot Alignment System With Hardware Mounting Block Allows 3/8" Adjustments



Patent Pending Dual-Inclined Bearing Surface Controls Angularity and Self Centering of the Patch Rail

Patent Pending Unitizing Clamping Gasket

Cladding Included on Stainless Steel and Brass Finishes

Innovative Concealed Actuation Hardware Allows for Uninterrupted Hardware Mounting

60 Degree A.D.A Compliant Tapered Top Edge

New Innovative Built-In Anti-Clamshell Pad

3-1/8" Glass Deduct  
2-1/4"  
4"  
1/4" Clearance Standard

#### 4" TAPERED PATCH RAILS 12" LENGTH - STOCK PRODUCTS

WITHOUT LOCK ITEM NO.	WITH LOCK ITEM NO.	DESCRIPTION
PR4T34PS	PR4T34PSL	Tapered Patch Rail 12" Long Polished Stainless Steel
PR4T34BS	PR4T34BSL	Tapered Patch Rail 12" Long Brushed Stainless Steel
PR4T34SA	PR4T34SAL	Tapered Patch Rail 12" Long Satin Anodized
PR4T34MB	PR4T34MBL	Tapered Patch Rail 12" Long Matte Black (Powder Coat)
PR4T34DU	PR4T34DUL	Tapered Patch Rail 12" Long Dark Bronze Anodized

#### CUSTOM LENGTH 4" TAPERED PATCH RAILS - SPECIFICATION AS SUPPLIED BY CUSTOMER

WITHOUT LOCK ITEM NO.	WITH LOCK ITEM NO.	DESCRIPTION
PR4T34PSC	PR4T34PSLC	Custom Tapered Patch Rail Length Polished Stainless Steel
PR4T34BSC	PR4T34BSLC	Custom Tapered Patch Rail Length Brushed Stainless Steel
PR4T34SAC	PR4T34SALC	Custom Tapered Patch Rail Length Satin Anodized
PR4T34MBC	PR4T34MBLC	Custom Tapered Patch Rail Length Matte Black (Powder Coat)
PR4T34DUC	PR4T34DULC	Custom Tapered Patch Rail Length Dark Bronze Anodized
PR4T34PTC	PR4T34PTLC	Custom Tapered Patch Rail Length Custom Paint Color

#### PRODUCT INFO/SPECIFICATIONS:

- CSI Format Specifications are Available for Download
- End Caps are Included with Every Patch Rail
- Patch Rails With Locks are Supplied Prepped and Installed, Keyed Cylinders, and Thumbturns are Sold Separately
- FHC Follows GANA Guidelines for Maximum Door Height and Widths. Reference the FHC Herc-Door Sizing Guidelines.

#### CARE & CLEANING

Brushed Stainless Steel, Polished Stainless Steel or Class 1 Anodized Finishes should be cleaned with a foam spray cleaner, such as: FHC GW19 Ammonia Free Cleaner. GW19 cleaner will assist with removing fingerprints, grease and water splatter. GW19 cleaner will also preserve the durable factory finish and can be wiped with a clean, dry cloth. FHC Lint Free Shop Wipes FHC3255 are recommended. These high performance wipes maintain their strength wet or dry and will not scratch the surface.



For Technical Support  
Call Toll Free in the U.S.  
**(888) 295-4531**

