

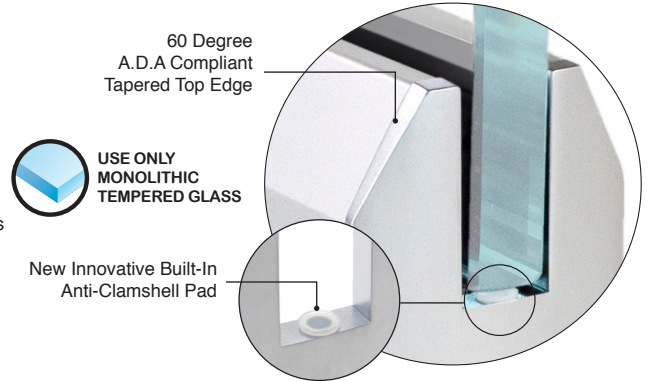
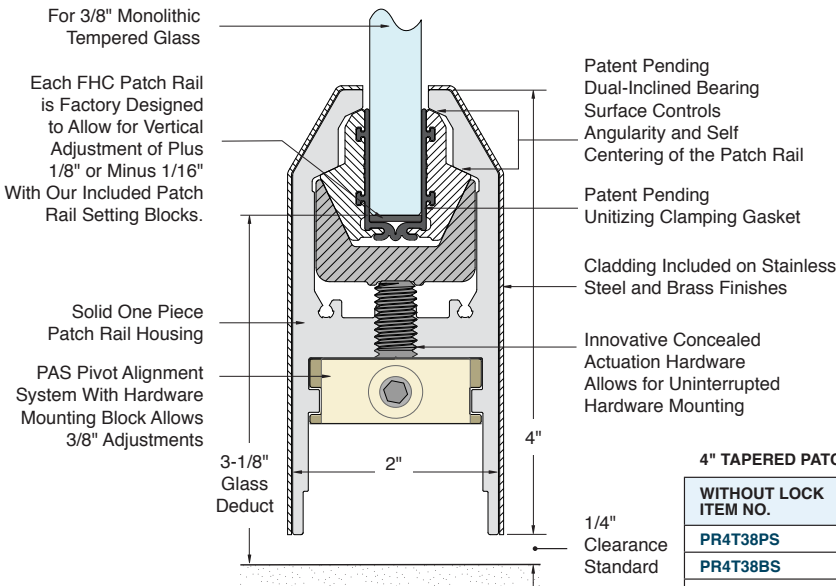
FHC-ADVANCE SERIES FRAMELESS GLASS ENTRANCE SYSTEM

Advance **HERC-DOOR** Rail

4" Tapered 9-1/2" Patch Rail
3/8" Monolithic Glass

- Patent Pending UNITIZING GASKET / Dual-Inclined Control Surfaces
- Easiest and Fastest Patch Rail to Install in the Industry
- 60 Degree A.D.A Compliant Tapered Top Edge
- For 3/8" Monolithic Tempered Glass
- Class 1 Anodizing UV Stable Finishes That Will Not Fade
- New Improved Pivot Alignment System "PAS" Included With Each Rail
- Increased Glass Bite Improves Holding Strength and Aesthetics
- Solid One Piece Aluminum Housing
- State of the Art Solid Forged Brass Plated End Caps With Premium Finishes
- New Innovative Anti-Clamshell Pad End Cap
- Available With or Without Lock
- Available In a Wide Range of Architectural Finishes

**NEW
INNOVATIVE
DESIGN**



4" TAPERED PATCH RAILS 9-1/2" LENGTH - STOCK PRODUCTS

WITHOUT LOCK ITEM NO.	WITH LOCK ITEM NO.	DESCRIPTION
PR4T38PS	PR4T38PSL	Tapered Patch Rail 9-1/2" Long Polished Stainless Steel
PR4T38BS	PR4T38BSL	Tapered Patch Rail 9-1/2" Long Brushed Stainless Steel
PR4T38SA	PR4T38SAL	Tapered Patch Rail 9-1/2" Long Satin Anodized
PR4T38MB	PR4T38MBL	Tapered Patch Rail 9-1/2" Long Matte Black (Powder Coat)
PR4T38DU	PR4T38DUL	Tapered Patch Rail 9-1/2" Long Dark Bronze Anodized

CUSTOM LENGTH 4" TAPERED PATCH RAILS - SPECIFICATION AS SUPPLIED BY CUSTOMER

WITHOUT LOCK ITEM NO.	WITH LOCK ITEM NO.	DESCRIPTION
PR4T38PSC	PR4T38PSLC	Custom Tapered Patch Rail Length Polished Stainless Steel
PR4T38BSC	PR4T38BSLC	Custom Tapered Patch Rail Length Brushed Stainless Steel
PR4T38SAC	PR4T38SALC	Custom Tapered Patch Rail Length Satin Anodized
PR4T38MBC	PR4T38MBLC	Custom Tapered Patch Rail Length Matte Black (Powder Coat)
PR4T38DUC	PR4T38DULC	Custom Tapered Patch Rail Length Dark Bronze Anodized
PR4T38PTC	PR4T38PTLC	Custom Tapered Patch Rail Length Custom Paint Color

PRODUCT INFO/SPECIFICATIONS:

- CSI Format Specifications are Available for Download
- End Caps are Included with Every Patch Rail
- Patch Rails With Locks are Supplied Prepped and Installed, Keyed Cylinders, and Thumbturns are Sold Separately
- FHC Follows GANA Guidelines for Maximum Door Height and Widths. Reference the FHC Herc-Door Sizing Guidelines.

CARE & CLEANING

Brushed Stainless Steel, Polished Stainless Steel or Class 1 Anodized Finishes should be cleaned with a foam spray cleaner, such as: FHC GW19 Ammonia Free Cleaner. GW19 cleaner will assist with removing fingerprints, grease and water splatter. GW19 cleaner will also preserve the durable factory finish and can be wiped with a clean, dry cloth. FHC Lint Free Shop Wipes FHC3255 are recommended. These high performance wipes maintain their strength wet or dry and will not scratch the surface.



For Technical Support
Call Toll Free in the U.S.
(888) 295-4531

