

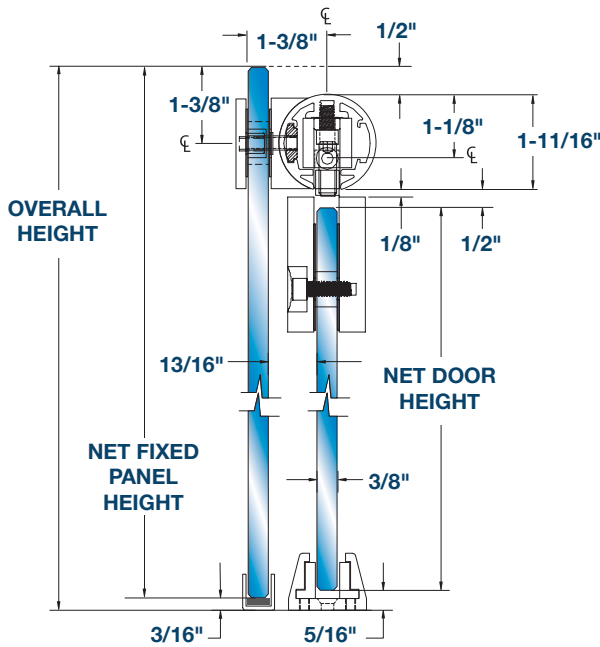
PACIFICA SERIES 180 DEGREE FRAMELESS SLIDING SHOWER DOOR KITS

- Designed for Use With 3/8" (10 mm) Tempered Glass
- Clean Modern 1-11/16" (43 mm) Diameter Round Header
- Each Glass Hanger Bracket Requires One 3/4" (19 mm) Diameter Hole for Mounting

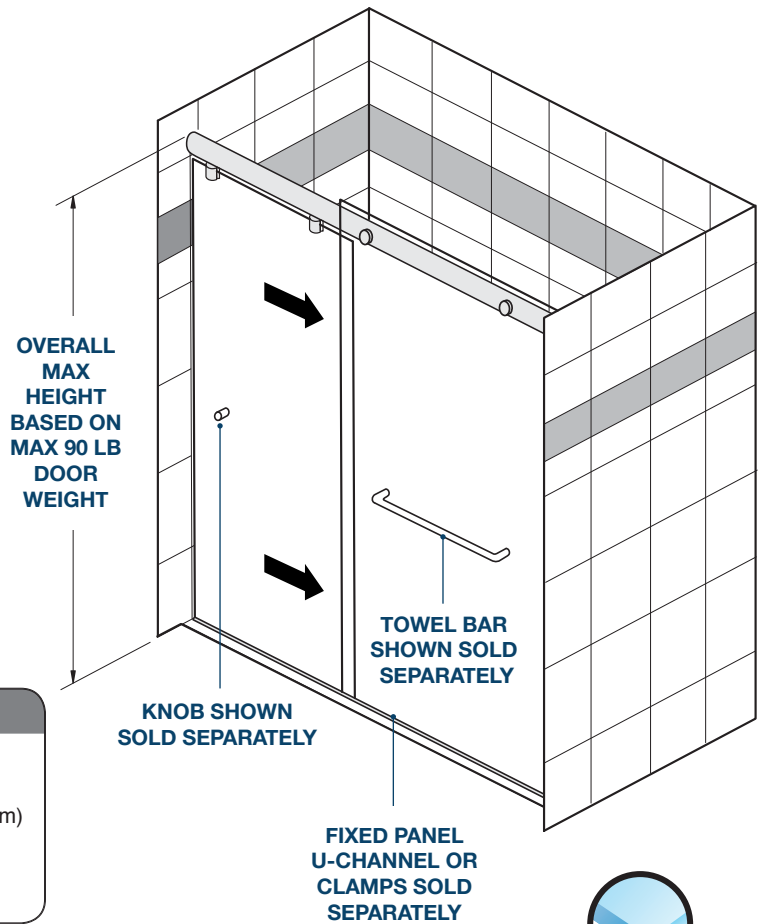
Our **Pacifica Series Frameless Sliding Shower Door Kits** offer a modern sleek design and maintain a low-profile header and glass hangers that's engineered for use with 3/8" (10mm) tempered glazing. Each top hanger requires one 3/4" (19mm) diameter hole in the glass for proper mounting. Precision bearings and wheels also offer a quiet glide experience.

One standard size fits most 180 degree inline applications. Our in stock 84" wide kits can be cut to size. Pacifica kits include head track, glass hangers, roller stops, floor guide, wall mount hangers, fixed panel glass attachments, threshold, and wall L-seal polycarbonate.

NOTE: Handles, knobs, and bottom fixed glass panel hardware like u-channels or clamps are sold separately.



SECTION VIEW OF SLIDING SHOWER KIT



SPECIFICATIONS

Material: Extrusions (Aluminum); Glass Hardware (Solid Brass)
Glass Thickness: 3/8" (10 mm) (Glass not included in the Kit)
Glass Fabrication: Each Included Glass Hanger; One 3/4" (19 mm) Dia. Hole. Towel Bars, Pull Knobs, and or Glass Clamps Will Also Require Fabrication, These Items Are Sold Separately.
Maximum Recommended Weight: 90 Lbs.

PACIFICA SERIES SHOWER DOOR KITS

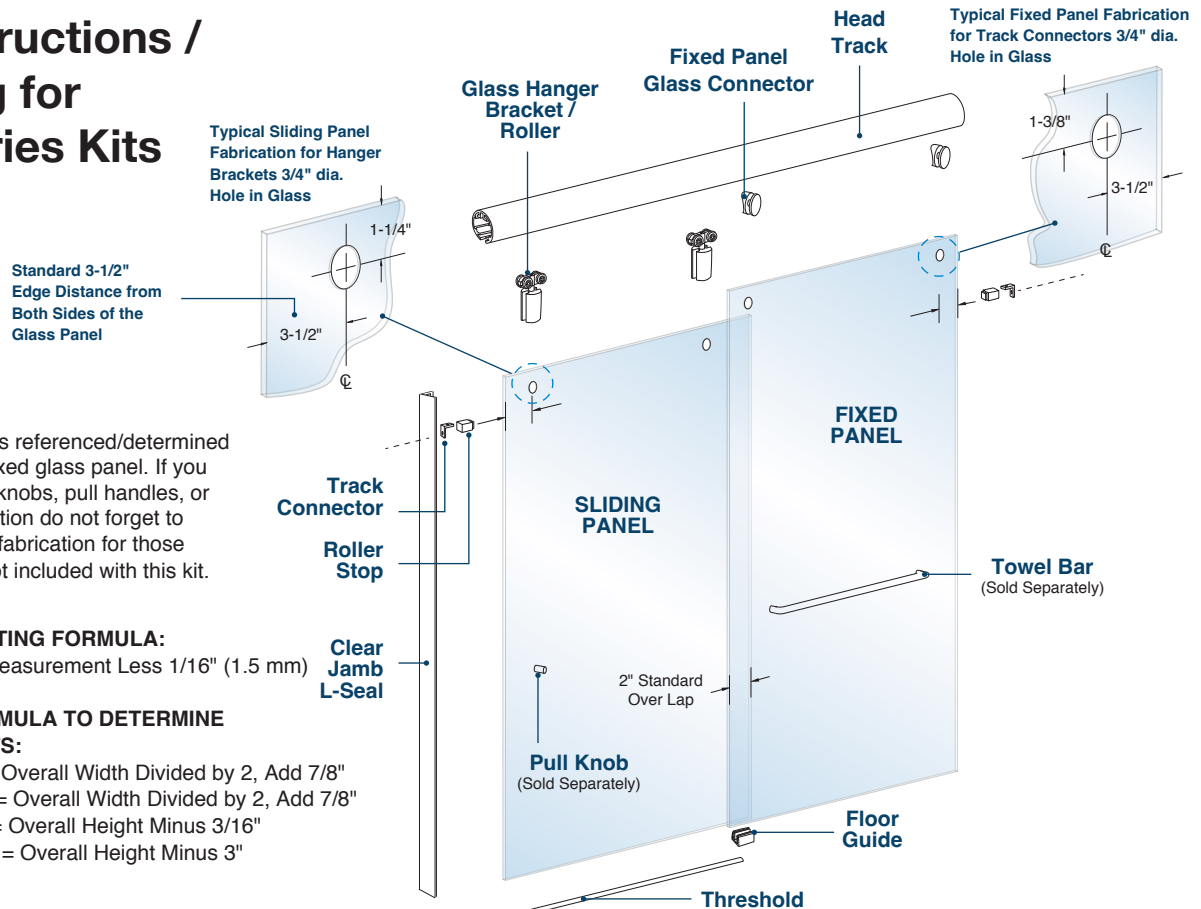
ITEM NUMBER	SIZE	FINISH
PSK84BA	84" Wide Kit	Brite Chrome
PSK84BN	84" Wide Kit	Brushed Nickel
PSK84MB	84" Wide Kit	Matte Black
PSK840RB	84" Wide Kit	Oil Rubbed Bronze



USE ONLY
MONOLITHIC
TEMPERED GLASS

FHC
FRAMELESS HARDWARE COMPANY
THE GLAZING SUPPLY COMPANY

Cutting Instructions / Glass Sizing for Pacifica Series Kits

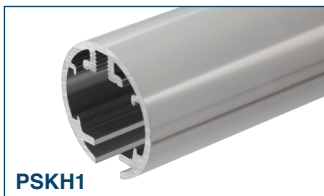


NOTE: The overall height is referenced/determined from top of curb to top of fixed glass panel. If you are including shower door knobs, pull handles, or a towel bar on your installation do not forget to allow for the required hole fabrication for those additional items that are not included with this kit.

QUICK METAL SIZE CUTTING FORMULA:
Head Track = Top Width Measurement Less 1/16" (1.5 mm)

QUICK GLASS SIZE FORMULA TO DETERMINE NET WIDTH AND HEIGHTS:
Fixed Glass Panel Width = Overall Width Divided by 2, Add 7/8"
Sliding Glass Panel Width = Overall Width Divided by 2, Add 7/8"
Fixed Glass Panel Height = Overall Height Minus 3/16"
Sliding Glass Panel Height = Overall Height Minus 3"

ALL KITS INCLUDE THE FOLLOWING COMPONENTS



PSKH1

Header Track (Qty. 1)



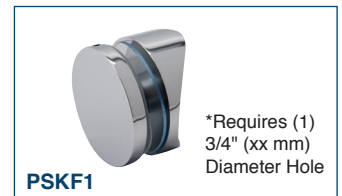
PSKT1

Threshold (Qty. 1)



PSKR1

Glass Hangers (Qty. 2)



PSKF1

Fixed Panel Standoff Connector (Qty. 2)



PSKW1

Wall Mount Track Connector (Qty. 2)



PSKF1

Floor Guide (Qty. 1)



PSKL1

Jamb L-Seal (Qty. 1)



PKS1

Roller Stop (Qty. 2)



PSKG1

Glass Grommet (Qty. 1)



PSKJ1

Drilling Jig (Qty. 1)



Frameless Sliding Shower System for Tub/Shower

Clean and remove any dirt or grime from your shower sill and wall areas where the new unit will be installed.

Carefully read these instructions completely and inventory all parts before starting installation.

STEP
1

Head Track Preparation (Item # PSKH1)

At the overall Head Track height location, measure the overall distance between the walls of your shower tub or tile surfaces. Subtract 1/16" (19mm) and cut the Head Track to length. Test fit the head track to make sure it fits nicely between the walls. Pre-load the (2) glass hanger rollers, (2) roller stops, and (2) brass standoff connecting nuts into the Head Track. **Important Note:** Don't forget to pre-load the items listed above, you will not be able to install them once the header track has been installed.

STEP
2

Fixed Panel Layout / Wall Mount Track Connector Installation (Item # PSKW1)

Determine your fixed glass panel location on the sill or curb. Using a laser level and some securing tape, mark the overall height of your fixed glass panel, then measure back 1-3/8" and down 1-5/8", mark your mounting hole location on each side where your wall mount track connector will be installed. See diagram on page 4 for further information. Proceed with drilling the tile, (1 hole on each side) and install the wall mount track connectors. **Note:** Wall mount screws and plastic plug anchors are not included with kit.

STEP
3

Head Track Installation (Item # PSKH1 and PSKW1)

Install your Head Track over the wall mounted track connectors, and insert set screws into wall mounted clip (1 per side) from the bottom side of the head track, locking them together.

STEP
4

Fixed Glass Panel Installation (PSKF1)

Align your fixed glass panel into position using either standard shower door u-channel or glass clamps. **Note:** U-channels and glass clamps are sold separately. Once in position, mark the header track where the glass standoffs should be located, and drill the clearance hole in the header track using the provided drilling jig and 5/16" diameter drill bit. See diagram on page 4 for further information. Once the clearance holes are drilled in the header track proceed with installing the glass standoffs. You will need to slide and align the pre-installed brass connecting nuts with the drilled holes for proper installation.

STEP
5

Sliding Glass Panel Installation (Item # PSKR1)

Using wood shims align your sliding glass panel into position with a 3/16" bottom clearance. Align the Glass Hangers with the pre-fabricated holes in the glass, and connect them together with the set screw until a snug, tight, fit is achieved. Remove the wood shims and test the movement of the sliding panels. **Important Note:** Once your sliding glass panel is installed make sure you have adjusted and tightened the roller stops in the head track to your desired sliding range.

STEP
6

Bottom Floor Guide / Optional Threshold Installation (Item # PSKF1 and PSKT1)

Once the sliding glass panel has been installed and adjusted, proceed with installing the Bottom Floor Guide at the 2" glass panel overlap location. The floor guide comes with (2) attachment screws for proper installation. **Note:** Be sure to waterproof any holes drilled at the sill with an approved FHC silicone sealant. The Pacifica Kit also includes an optional threshold that can be trimmed to size, and siliconed in place for jobs that need to minimize water leakage outside the shower/tub area.

STEP
7

L-Shaped Jamb Seal Polycarbonate (Item # PSKL1)

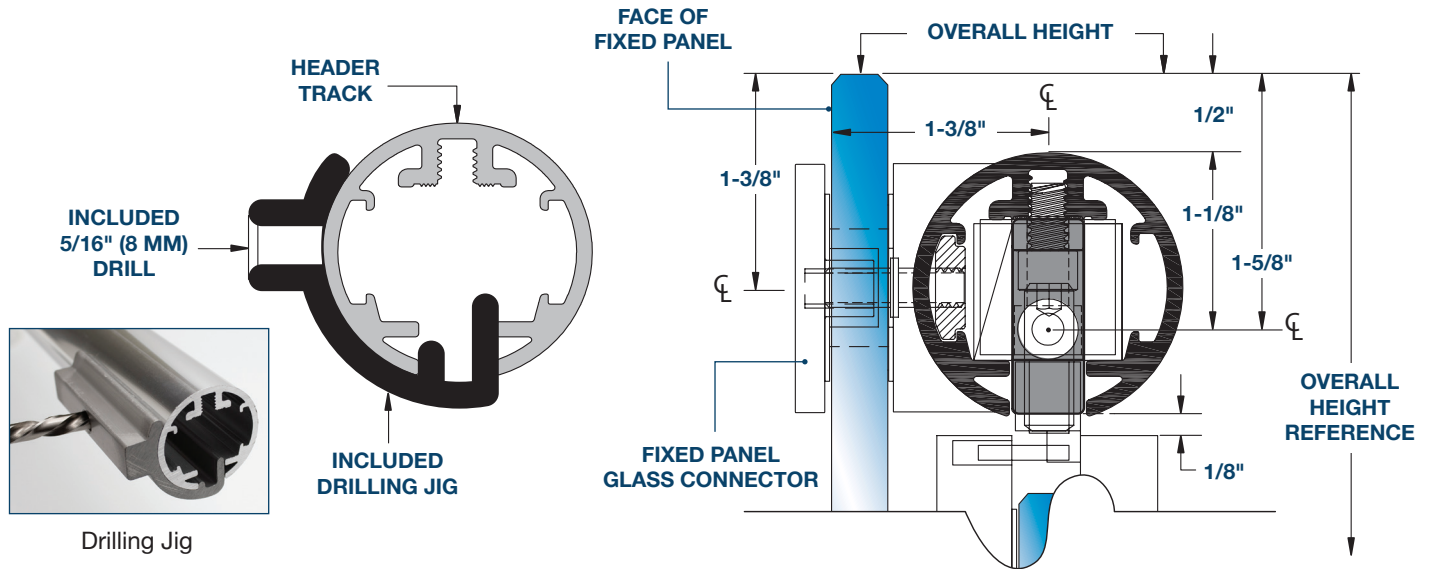
The FHC L-Shaped Polycarbonate Jamb Seal comes with VHB tape pre-applied for easy installation. Just remove the VHB tape backing, and install, aligning the "nub" on the seal with the glass edge. The nub will act as a bumper for the glass.

STEP
8

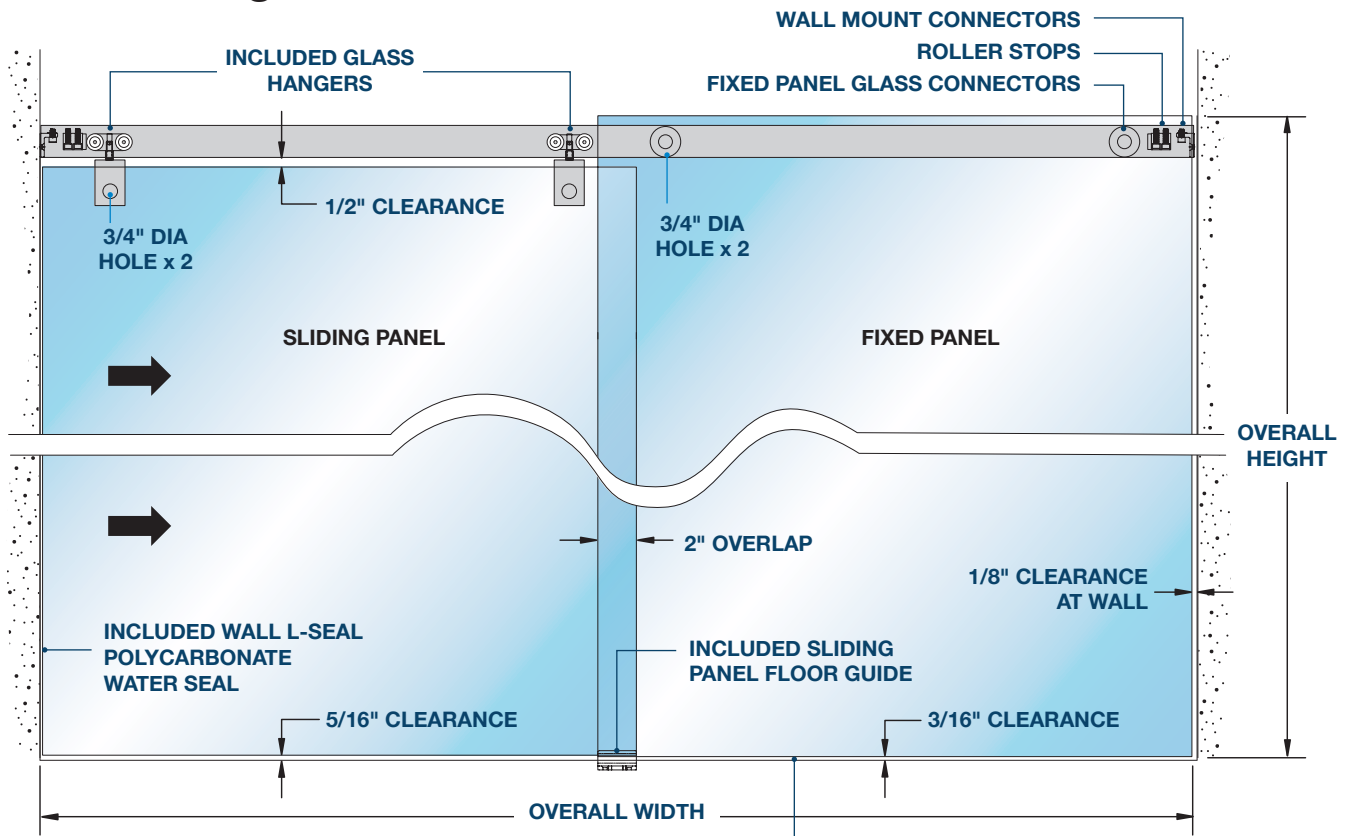
Optional Knobs, Handles, or Towel Bars

Any optional knobs, handles, towel bars, or additional hardware should be installed at this time. Caulk any areas that need sealing, clean any surface needed, and your installation is complete.

Fixed Panel Drilling Diagram at Head Track



Elevation Diagram



For Technical Support
Call Toll Free in the U.S.
(888) 295-4531

FIXED PANEL U-CHANNEL OR
CLAMPS SOLD SEPARATELY

