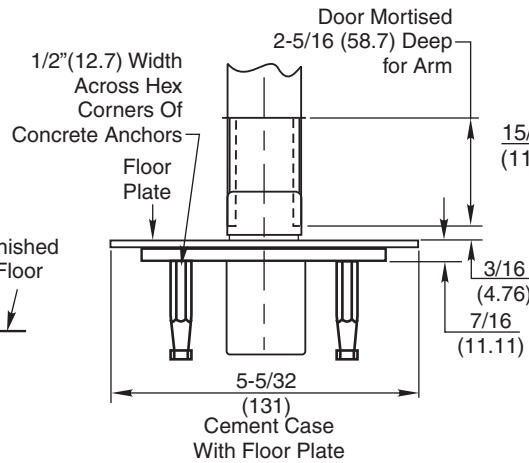
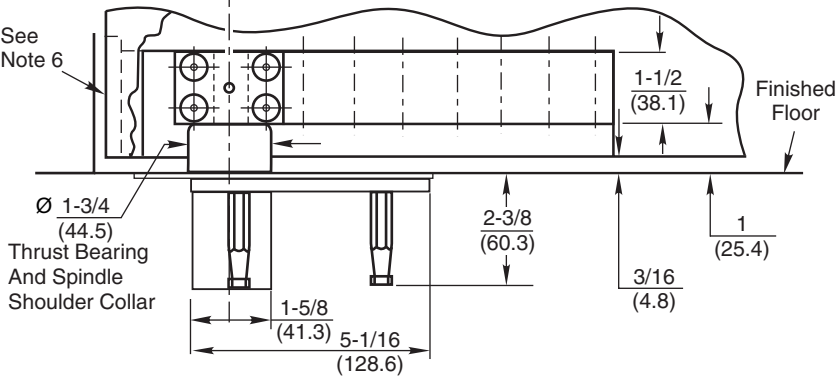
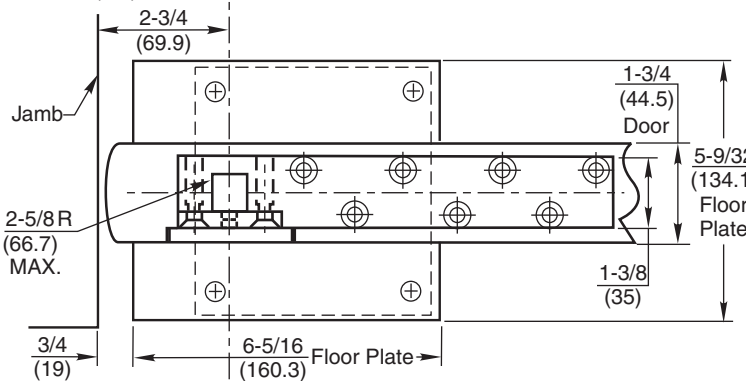
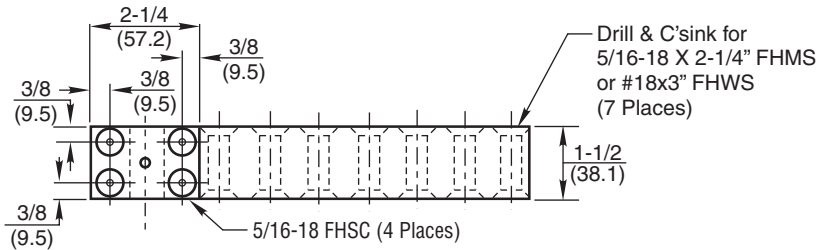
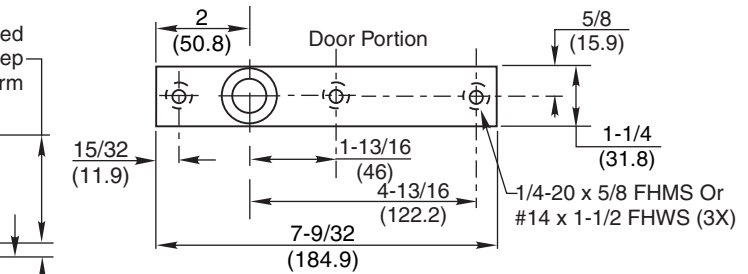
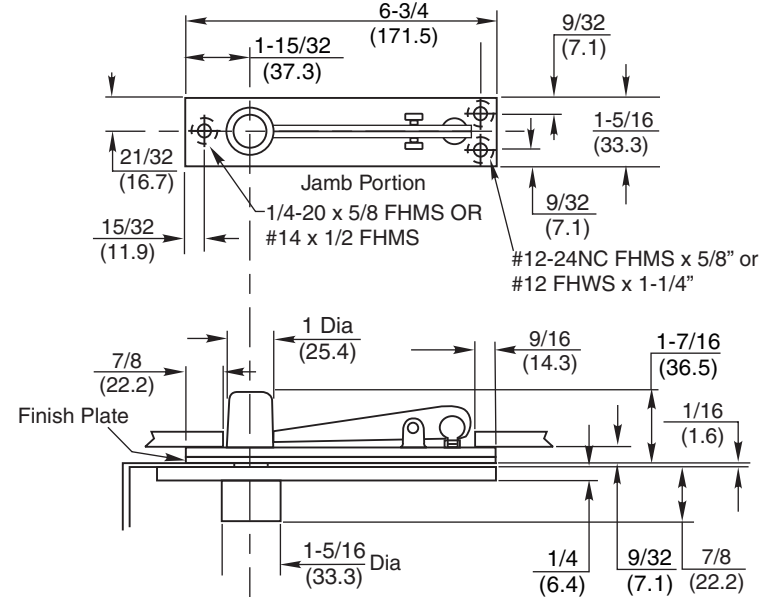


**587 ARM
(NON-HANDED)**



Set Cement Case 1/16" Below Surface Of Finished Floor

H340 Top Pivot Shown With 11/16" Dia. Pin Engaged



Notes:

1. Do not scale drawing.
2. Dimensions given in inches (mm).
3. Suitable reinforcing by others.
4. Rixson designed threshold available on request
5. Door must have removable panel to allow tightening of arm (by others). Panel must be on inside of door and go from top of arm to bottom of door.
6. Drill and tap for #8-32 machine screw, centered (screw by others).
7. Door cutout needed for thrust bearing collar.

**H117-3/4 Pivot Set x 587 Arm
Center Hung for Heavy Doors
For 1-3/4" Thick Doors**

RIXSON®
ASSA ABLOY

www.rixson.com

TEMPLATE NUMBER

PS30120

DATE

08-15