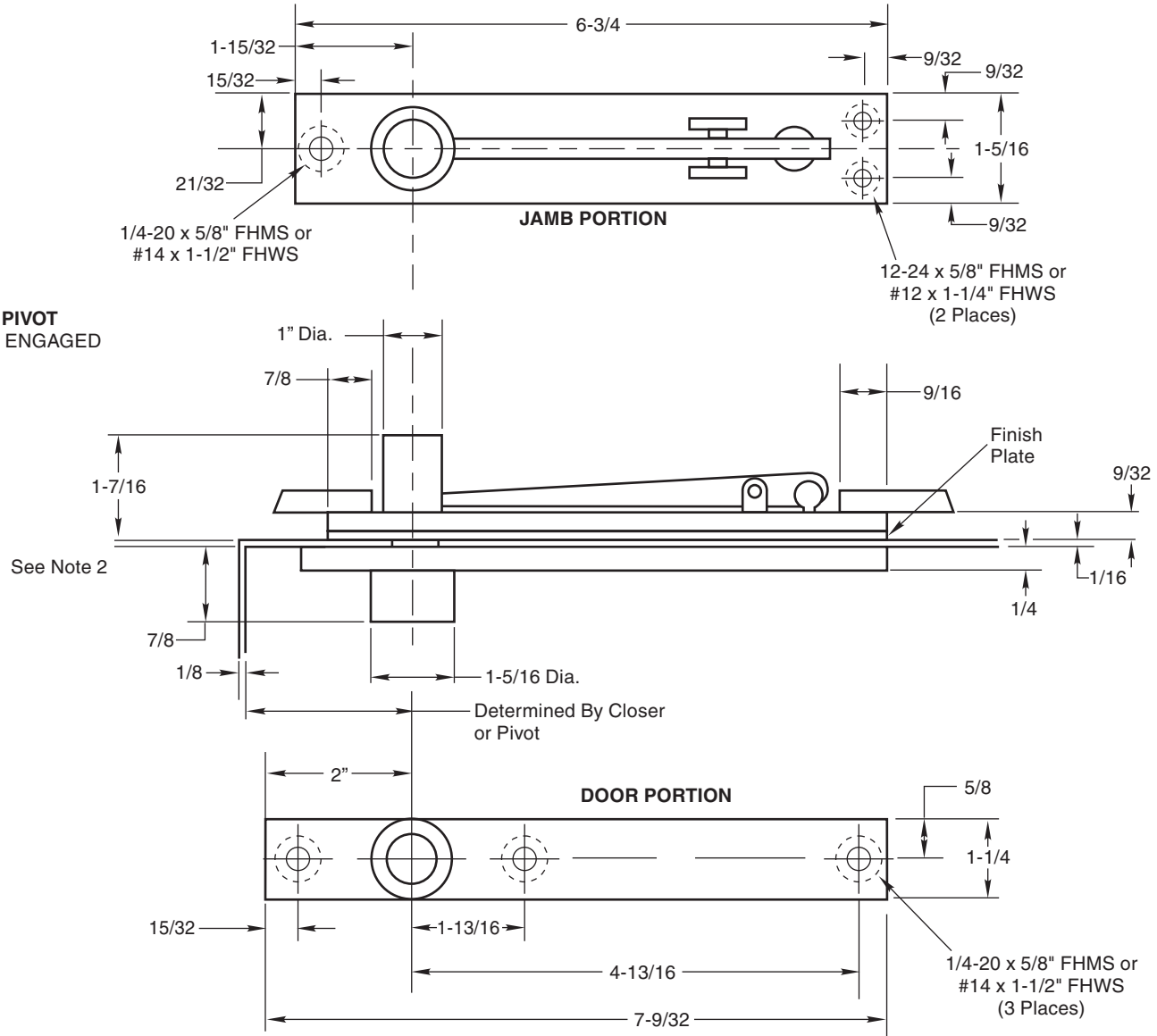


Notes:

1. Do not scale drawing.
2. Minimum pivot point from heel edge of door is 2".
3. All dimensions are in inches.



**H340 TOP PIVOT
PIVOT SHOWN ENGAGED**

**H340 Top Pivot
Center Hung**

RIXSON®

ASSA ABLOY

www.rixson.com

TEMPLATE NUMBER

TP40240

DATE

12-09