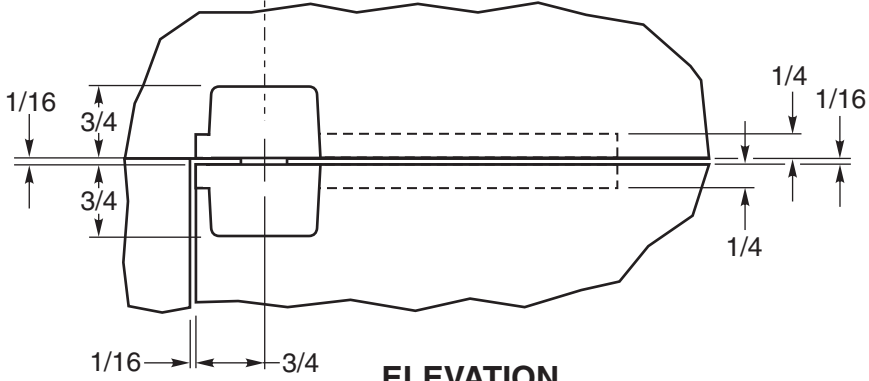


Bevel Heel  
Edge of Door  
1/8 in 2"

1/8 Min.  
Clearance

1/4-20 x 5/8" FHMS or  
#14 x 1-1/2" FHWS  
(4 Places)



ELEVATION

**Notes:**

1. Do not scale drawing.
2. Right hand shown.
3. All dimensions are in inches.  
Conversion to metric = inch x 25.4.
4. Template drawing for reference only.

**Top Pivots 180 & H180  
3/4" Offset**

**RIXSON®**  
**ASSA ABLOY**  
www.rixson.com

TEMPLATE NUMBER	DATE
<b>TP40000</b>	<b>08-15</b>