

# Architectural Railing Systems

CATALOG **FGR24R**

DIVISIONS 5 & 8

**FHC**<sup>®</sup>

FRAMELESS HARDWARE COMPANY

Glazing | Showers | Architectural | Storefronts & Entrances | Transaction | Railing

The Glazing  
Supply Company

EXPERIENCE AND INNOVATION

[FHC-USA.COM](http://FHC-USA.COM)

# Who We Are...

Frameless Hardware Company LLC (FHC) is a manufacturer and supplier to the glass, glazing, and fenestration industries. We provide a complete range of tools, supplies, and innovative architectural hardware for frameless shower doors, all-glass entrances, aluminum storefronts and entrances, architectural railings, and transaction windows.

As a privately owned, American based company, our mission is built upon the core principles of customer service, product innovation, and entrepreneurship. Our products, services, and ethics are backed by a team of highly knowledgeable industry veterans that effectively combines technical competency, product expertise, and small business ideologies.



Chris Hanstad  
President & CEO



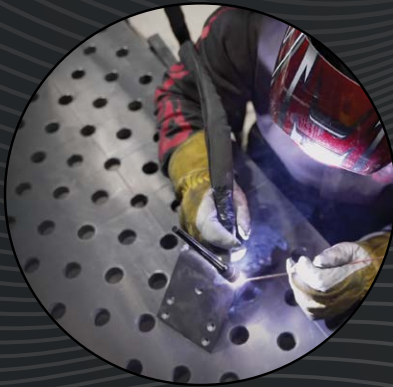
Barry Sutherland  
Sr. Vice President of Sales

**FHC WAS FOUNDED NOVEMBER 2019**



**FHC HEADQUARTERS**  
4361 Firestone Blvd. South Gate, CA 90280  
Toll Free: (888) 295-4531 | Direct: (323) 968-2031

**FHC MANUFACTURING & FHC ALUMINUM**   
2323 Firestone Blvd. South Gate, CA 90280  
Toll Free: (888) 295-4531 | Direct: (323) 763-1366



visit [fhc-usa.com](http://fhc-usa.com) to search for



Enter the Item Number or scan QR code with your smartphone for complete product details



**The Glazing  
Supply Company**

**EXPERIENCE AND INNOVATION**

**YOU NOW HAVE A  
CHOICE**

Offering the Glass & Glazing  
Industries An Alternative

# FHC Manufacturing

**Custom Fabrication & Technical Support: Best of Both Worlds**

We know that every project is different, so in addition to our core capabilities we have many flexible services around product design, engineering, and manufacturing. FHC offers free technical advice to help you decide which products will accomplish your project requirements and walk you through each step. We have a variety of processes to provide a true one-stop solution to fit our customer's needs. We have also just increased our manufacturing and bi-coastal distribution footprint to a combined 400,000 square feet in Southern California, Kent Washington, and West Columbia, South Carolina enabling us to serve you better. As we continue to grow, we make significant investments to increase production and inventory levels, shorten lead times, and improve technical/customer support. Contact FHC today to speak to a Technical Service Representative about your next project!



**MADE IN U.S.A.**



visit [fhc-usa.com](http://fhc-usa.com) to search for

**Manufacturing**



Enter the Item Number or scan QR code with your smartphone for complete product details



4361 Firestone Blvd. South Gate, CA 90280  
Toll Free: (888) 295-4531 | Direct: (323) 968-2031  
Fax: (323) 336-8307 | [fhc-usa.com](http://fhc-usa.com)



FHC Grows

# FHC Acquires Morse Architectural



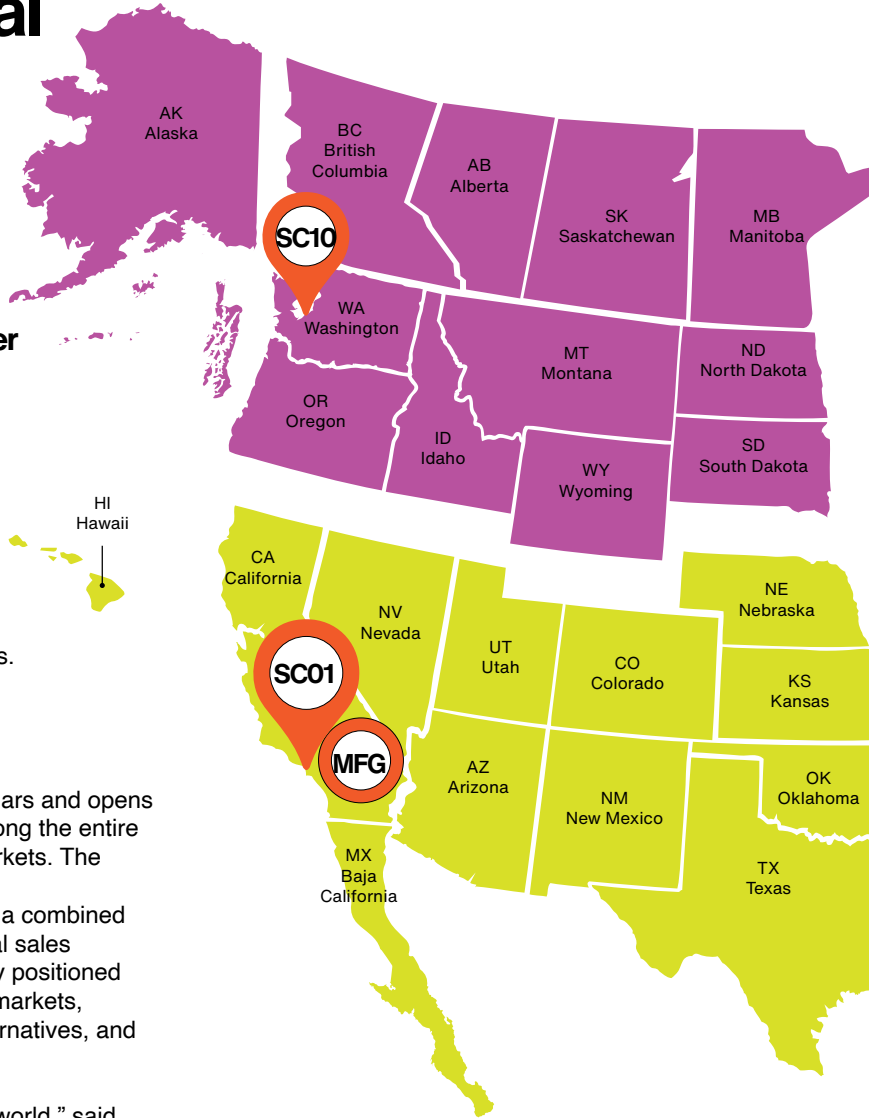
## Glass and Glazing Manufacturer & Supplier Substantially Expands North American Footprint and Product Offering with Latest Acquisition

FHC acquired all assets of Morse Architectural (formerly Morse Industries) from M-D Building Products, Inc. The well-established Kent, Washington based company offers a complete line of glass railing systems, frameless shower door hardware, extrusions, and pass-thru assemblies. Through the sale FHC has acquired all inventory, product designs, and three U.S. facilities including Kent, WA, Brea, CA, and West Columbia, SC.

The deal marks FHC's third acquisition in just two years and opens distribution channels in the Pacific Northwest and along the entire East Coast, providing direct access to Canadian markets. The addition of these locations brings FHC's bi-coastal manufacturing and distribution footprint to a combined 400,000 sq. ft. and significantly bolsters their national sales team and capacity, making the company strategically positioned and equipped to better serve customers in regional markets, accommodate growing demand for supply chain alternatives, and shorten lead times across all North America.

"Morse is a household name in the glass and metal world," said Chris Hanstad, President, and CEO of FHC. "They have a 40+ year pioneering track record which aligns with our business model and mission that centers on experience and innovation. Their people, knowledge, product offering, and network are exactly what FHC looks for in strategic acquisition opportunities, and we are always looking."

"We at Morse are incredibly excited to join the FHC family," said Larry Larsen, General Manager of Morse Architectural. "I have known and worked with the leadership team there for decades at different capacities. Their explosive growth in such a short timeframe certainly speaks to the experience and passion of the team they have built. I know our people, legacy, and customers are in good hands with FHC."



SC01 FHC Headquarters / West Coast Service Center South Gate, CA



THE GLAZING SUPPLY COMPANY  
EXPERIENCE AND INNOVATION



visit [fhc-usa.com](http://fhc-usa.com) to search for

Morse

Enter the Item Number or scan QR code with your smartphone for complete product details

## FHC Service Centers

Serving the Glass Industry Across North America and We're Just Getting Started

## FHC REGIONAL SERVICE CENTERS

### SC01

FHC HEADQUARTERS / WEST COAST SERVICE CENTER  
4361 Firestone Blvd.  
South Gate, CA 90280  
Toll Free: (888) 295-4531  
Direct: (323) 968-2031

FHC MANUFACTURING / FHC-ALUMINUM®  
2323 Firestone Blvd.  
South Gate, CA 90280  
Toll Free: (888) 295-4531  
Direct: (323) 763-1366

### SC10

FHC NORTHWEST SERVICE CENTER  
25811 74th Ave S  
Kent, WA 98032  
Toll Free: (888) 295-4531  
Direct: (253) 852-1399

### SC22

FHC EAST COAST SERVICE CENTER  
1630 Old Dunbar Rd.  
West Columbia, SC 29172  
Toll Free: (888) 295-4531  
Direct: (704) 882-3534



The Acquisition Opens Distribution Channels in the Pacific Northwest and Along the Entire East Coast, Providing Direct Access to Canadian Markets



MFG FHC Manufacturing Center  
South Gate, CA



SC10 Northwest Service Center  
Kent, WA



SC22 East Coast Service Center  
West Columbia, SC

visit [fhc-usa.com](http://fhc-usa.com) to search for

Locations



Enter the Item Number or scan QR code with your smartphone for complete product details



4361 Firestone Blvd. South Gate, CA 90280  
Toll Free: (888) 295-4531 | Direct: (323) 968-2031  
Fax: (323) 336-8307 | [fhc-usa.com](http://fhc-usa.com)



FHC Precision Lock Plus® Adjustable Glass Railing

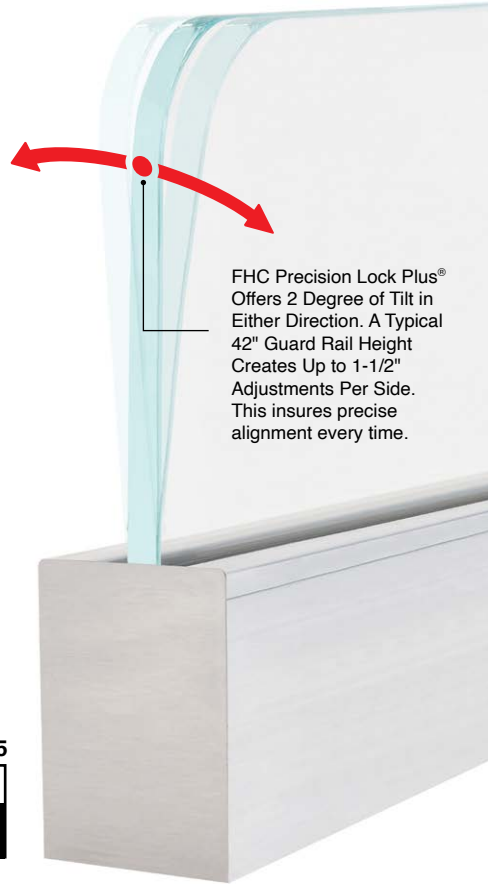
# FHC Precision Lock Plus®

## Adjustable Glass Railing

- Advanced Tilting Technology Allows Installed Glass Tilting Capabilities Up To 2 Degrees In Either Direction To Ensure A Perfect Alignment Every Time.
- FHC Precision Lock Can Be Safely Installed From Either Side Of The Base Shoe Thanks to a Symmetrical Inner Channel
- Easy Access to Tightening Fasteners From The Top of The Shoe
- Thicker Material at The Bottom of The Shoe For Added Durability

**NEW**

**PERFECT GLASS PANEL ALIGNMENT EVERY-TIME !**



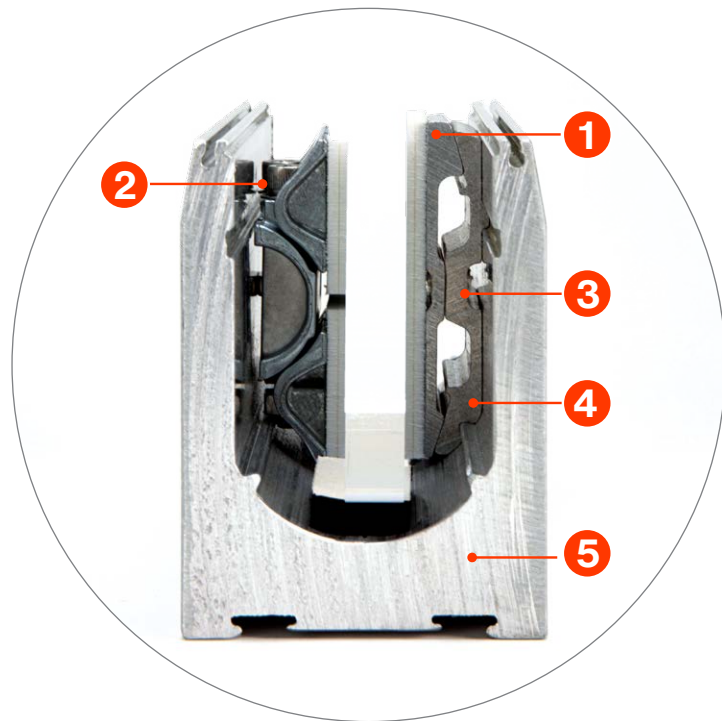
FHC Precision Lock Plus® Adjustable Glass Railing is the latest innovation in glass railing. Allowing the installer to adjust the glass for plumb quickly and easily with no specialized tools, this product provides the best solution to the real-world installation conditions encountered at all construction sites.

With a full range of top rails, hand rails, fasteners, drain blocks, and cladding you can count on FHC to help make your next glass railing job fast and profitable.

### Advance Design for a Simple Installation

- Our Innovative Glass Railing System Gives You Minimal Sightlines With Fast and Easy installation

CSI DIVISION 05  
SECTION  
**05 7300**



- 1** Advance Tilting Technology Allows the Glass to Tilt Up To 2 Degrees In Either Direction for Precise Alignment of Consecutive Glass Panels
- 2** Easy Access to Tighten Fasteners From the Top of the Shoe
- 3** Grooves in the Inner Channel Prevent Shifting During Glass Installation
- 4** Precision Lock Can Be Installed From Either Side of the Base Shoe
- 4** A Symmetrical Channel Allows for Installation On Either Side of the Shoe for Added Safety on Elevated Surfaces
- 5** Thicker Material at the Bottom of the Shoe for Added Durability to Prevent Splaying



**THE GLAZING SUPPLY COMPANY**  
EXPERIENCE AND INNOVATION



visit [fhc-usa.com](http://fhc-usa.com) to search for

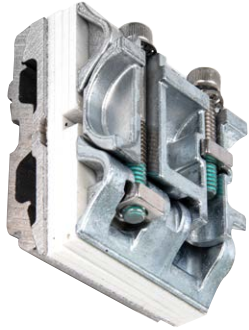
**Precision Lock Plus**

Enter the Item Number or scan QR code with your smartphone for complete product details

# FHC Precision Lock Plus® Adjustable Glass Railing

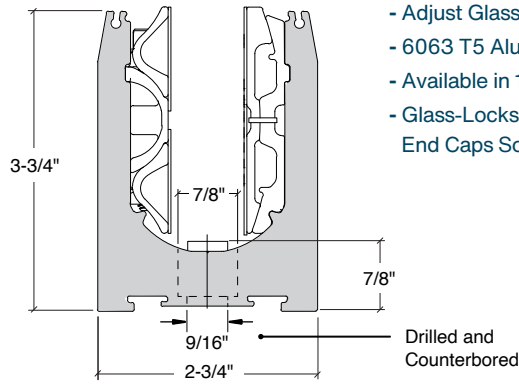
## FHC Precision Lock Plus® Glass Locks

- Allows Up To 2 Degrees Glass Panel Adjustment
- Patented Design Allows Easy Access for Adjustment
- Packaged 10 Glass Locks Per Box
- Works with Precision Lock Base Shoe
- Install Glass Locks Every 12" to 14" on Center



## FHC Precision Lock® Aluminum Base Shoe

- Compatible With 1/2" - 13/16" Glass
- Easy Adjustment, Does Not Require Special Tools
- Adjust Glass Panels Up to 2 Degree From Plumb
- 6063 T5 Aluminum Alloy
- Available in 10' and 20' Base Shoe Lengths
- Glass-Locks, Gaskets, Cladding and End Caps Sold Separately



Base Shoe Profile



### FHC PRECISION LOCK PLUS® GLASS-LOCKS

ITEM NO.	DESCRIPTION
PL916M	Glass-Locks for 1/2" to 9/16" Glass Thickness (.469-.550")
PL1116M	Glass-Locks for 5/8"-11/16" Glass Thickness (.569-.726")
PL1316M	Glass-Locks for 3/4"-13/16" Glass Thickness (.705-.906")

Minimum Order: 1 Pack..

### FHC PRECISION LOCK® BASE SHOE

ITEM NO.	DESCRIPTION
PL75M10D	Drilled 12" C.T.C. 120" Long
PL75M20D	Drilled 12" C.T.C. 240" Long

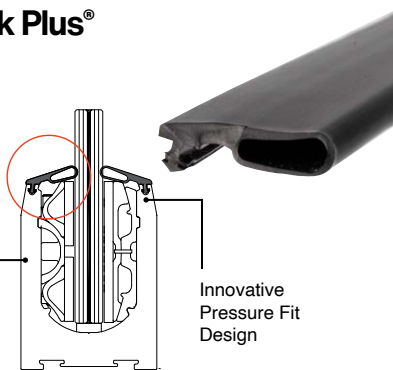
Minimum Order: 1 Each. Must Ship Common Carrier.

## FHC Precision Lock Plus® Traditional Gasket

- Used On Applications Without Cladding
- 250' Roll
- Can Be Pre-Installed On Outside of Shoe

For Applications Without Cladding

ITEM NO. **PLGS250**  
Minimum Order: 1 Roll.

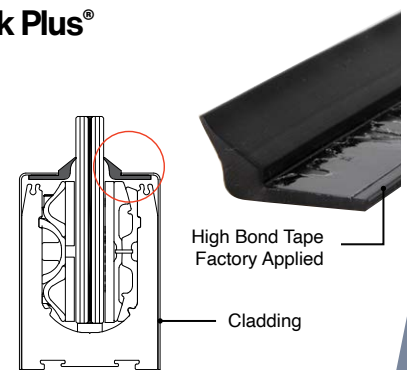


Innovative Pressure Fit Design

## FHC Precision Lock Plus® Cladding Gasket

- Used On Application With Cladding
- 100' Role-Installed On Outside of Shoe With Cladding
- Tape Applied

ITEM NO. **PGASKET5TA**  
Minimum Order: 1 Roll.



High Bond Tape Factory Applied

Cladding

## FHC Precision Lock Plus® Cladding

- Fits PL75 Series Base Shoe and Gasket
- Available in 4 Architectural Finishes, Powder coat options available
- Install With CT040 High Bond Tape or S790BL Silicone
- Custom Fabrication Services Available. Contact FHC Technical Sales for a Quote

### FHC PRECISION LOCK PLUS® CLADDING

ITEM NO.	DESCRIPTION	FINISH
PLC10BS	120' Long	Brushed Stainless
PLC10PS	120' Long	Polished Stainless
PLC10SA	120' Long	Satin Anodized
PLC10MB	120' Long	Matte Black

Minimum Order: 1 Each.



## FHC Precision Lock Plus® End Cap

- Fits PL75 Series Base Shoe
- Install With CT040 High Bond Tape or S790BL Silicone
- Custom End Caps Available Contact FHC Technical Sales for a Quote

### FHC PRECISION LOCK PLUS® END CAP

ITEM NO.	FINISH
PLC75ECBS	Brushed Stainless
PLC75ECPS	Polished Stainless
PLC75ECSA	Satin Anodized
PLC75ECMB	Matte Black

Minimum Order: 1 Each.



visit [fhc-usa.com](http://fhc-usa.com) to search for

Precision Lock Plus



Enter the Item Number or scan QR code with your smartphone for complete product details



4361 Firestone Blvd. South Gate, CA 90280  
Toll Free: (888) 295-4531 | Direct: (323) 968-2031  
Fax: (323) 336-8307 | [fhc-usa.com](http://fhc-usa.com)



FHC ACHIEVE® FGR Frameless Glass Railing System

The Next Generation  
Dry Glaze Railing System

See Section 1 Pages 8 to 19 for  
FHC ACHIEVE® Series Product Line Details



**NEW and  
ENGINEERED  
DESIGN**  
NOW 40% LIGHTER

Supports 1/2" to 9/16" Tempered and Laminated Glass

FHC's Innovative Patent Pending "One Seal" 1SGA Dual Purpose Gasket. Now You Can Pre-Load or Roll in the Same Gasket (See Page 19)

Designed For Use With FHC's Patent Pending ACHIEVE® Dry Glaze Shim Set Technology (See Page 13)

FHC's Tested and Engineered Profile is 40% Lighter Than Traditional Base Shoes

Field Drilling Base Shoe Just Got Easier With Our Engineered Hollow Profile Design On All Base Shoe Profiles

**FHC ACHIEVE®**  
FGR FRAMELESS GLASS RAILINGS

**FHC ACHIEVE®**  
Series Glass Railing

- New Innovative Design Maintains Railing Industry Standard 4-1/8" Base Shoe Height
- Compatible With 1/2" Tempered Monolithic, 9/16", 11/16" and 13/16" Tempered Laminated Glass
- New Design - 40% Lighter Than Traditional Base Shoes
- Available in 10' or 20' Stock Lengths, Pre-Drilled or Undrilled
- Designed for Heavy Glass Railing and Windscreen Applications
- Custom Fabrication Services Available
- 6063-T5 Aluminum Alloy
- FHC's Innovative "One Seal" 1SGA Series Gasket Makes Installations Easy. Installers Can Pre-Load Gasket Before Setting Glass and Use the Same Gasket on the Inside to Finish the Installation



**A1M Series**  
1/2" - 9/16" Glass  
Railing Base Shoe



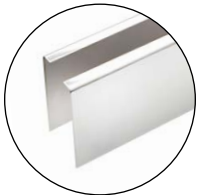
**A3M Series**  
11/16" Glass  
Railing Base Shoe



**A5M Series**  
13/16" Glass  
Railing Base Shoe

FHC ACHIEVE® Base Shoe  
Cladding and End Caps

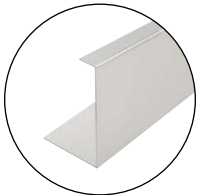
- AEC1 End Cap for A1M Series
- AEC3 End Cap for A3M Series
- AEC5 End Cap for A5M Series



**ASC10**  
Standard  
Cladding



**ASC1F**  
Inside  
Fascia Cladding



**ASC0F**  
Outside  
Fascia Cladding



FHC ACHIEVE®  
Installation and  
Removal Tool Kit

ITEM NO. ACH1K  
Extremely Simple  
and Easy to Use

FHC ACHIEVE® Shim Set

- Patent Pending
- 10 Shims Per Box

ACH2G For 1/2" to 11/16" Glass  
ACH3G For 13/16" Glass



THE GLAZING SUPPLY COMPANY  
EXPERIENCE AND INNOVATION



visit [fhc-usa.com](http://fhc-usa.com) to search for

ACHIEVE

Enter the Item Number or scan QR code with your smartphone for complete product details



## FHC Traditional Glass Railing System Base Shoe

# FHC Offers A Full Line of Base Shoes



- Designed for Heavy Glass Railing and Windscreen Applications
- Heavy Duty Base Shoes
- FHC's Wet Glazed Aluminum Base Shoes
- 10' and 20' Stock Lengths Available
- Available Drilled and Undrilled, Custom Drilling Services Available
- Cladding, End Caps, Gaskets and Shims Sold Separately
- Custom Fabrication Services Available. Contact FHC Technical Sales for a Quote

### FHC T5M Series Traditional Base Shoe

- 2-1/2" x 4-1/8" Profile
- For 1/2" to 9/16" Glass



FHC T5M SERIES TRADITIONAL BASE SHOE

120" LONG ITEM NO.	240" LONG ITEM NO.	DESCRIPTION
T5M10	T5M20	Undrilled
T5M10D	T5M20D	Bottom Drilled & Counterbored 12" C.T.C.
T5M10F	T5M20F	Fascia Drilled 12" C.T.C.
T5M10H	T5M20H	Bottom 9/16" Clear Hole 12" C.T.C.

Minimum Order: 1 Each. Must Ship Common Carrier.

### FHC T5S Series Solid Base Shoe

- 2-1/2" x 4-1/8" Profile
- For 1/2" to 9/16" Glass



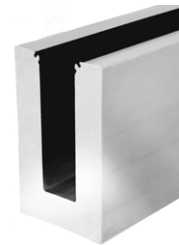
FHC T5S SERIES SOLID BASE SHOE

120" LOG ITEM NO.	240" LONG ITEM NO.	DESCRIPTION
T5SM10D	T5SM20D	Heavy Base Drilled & Counterbored 12" C.T.C.
T5SM10F	T5SM20D	Heavy Base Fascia Drilled 12" C.T.C.
---	T5SM20H	Heavy Base Bottom 9/16 Clear Hole 12" C.T.C.

Minimum Order: 1 Each. Must Ship Common Carrier.

### FHC T5L Series Low Profile Solid Base Shoe

- 2-1/4" x 3-1/4" Profile
- For 1/2" to 9/16" Glass



FHC T5L SERIES LOW PROFILE SOLID BASE SHOE

ITEM NO.	DESCRIPTION
T5LM10D	Bottom Drilled 12" C.T.C. 120" Long
T5LM20D	Bottom Drilled 12" C.T.C. 240" Long
T5LM20	Undrilled 240" Long

Minimum Order: 1 Each. Must Ship Common Carrier.

### FHC T5T Series 1/2" Tapered Solid Base Shoe

- 2-1/2" X 4-1/8" Profile
- For 1/2" to 9/16" Glass



FHC T5M SERIES 1/2" TAPERED SOLID BASE SHOE

120" LONG ITEM NO.	240" LONG ITEM NO.	DESCRIPTION
T5TM10D	T5TM20D	Heavy-Duty Solid Base Drilled & Counterbored 12" C.T.C.
T5TM10H	T5TM20H	Heavy-Duty Solid Base Bottom 9/16 Clear Hole 12" C.T.C.

Minimum Order: 1 Each. Must Ship Common Carrier.

### FHC WBS10 Series Windscreen Base Shoe

- 1-3/8" x 2-3/4" Profile
- For 3/8" to 1/2" Glass



ITEM NO. **WBS10D**  
Drilled & Counterbored  
12" C.T.C. 120" Long

### FHC T7M Series Solid Base Shoe

- 2-3/4" x 4-1/4" Profile
- For 3/4" to 13/16" Glass



ITEM NO. **T7M100**  
Heavy-Duty Solid Base  
Drilled & Counterbored  
12" C.T.C. 120" Long

### FHC WBS34 Series Windscreen Base Shoe

- 1-7/8" x 3-1/2" Profile
- For 3/4" Glass



ITEM NO. **WBS34D**  
Drilled & Counterbored  
12" C.T.C. 120" Long

visit [fhc-usa.com](http://fhc-usa.com) to search for

ACHIEVE



Enter the Item Number or scan QR code with your smartphone for complete product details



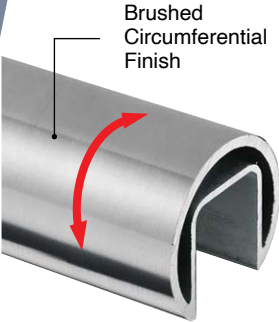
4361 Firestone Blvd. South Gate, CA 90280  
Toll Free: (888) 295-4531 | Direct: (323) 968-2031  
Fax: (323) 336-8307 | [fhc-usa.com](http://fhc-usa.com)



FHC Cap Rail Systems

# FHC Cap Rail Systems

- For Glass Thickness 1/2", 9/16", 5/8", 11/16", 3/4" and 13/16"
- Round, Square, and Rectangular Profiles
- Made of Stainless Steel
- Full Line of Accessory Items
- Design and Installation Assistance
- Stock and Custom Sizes or Shapes Available



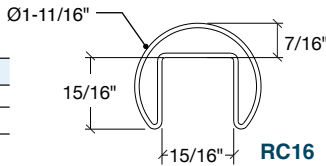
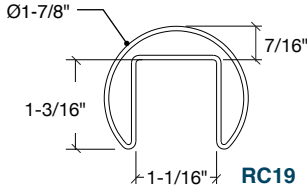
Brushed Circumferential Finish

## FHC 1.66" and 1.9" Diameter Cap Rail

- 228" Stock Lengths
- 316 Brushed Stainless Steel

ITEM NO.	DESCRIPTION
RC19BS228	1.9" Outside Diameter
RC16BS228	1.6" Outside Diameter

Minimum Order: 1 Each. Must Ship Common Carrier.



## FHC Wall Mount Flange



- 316 Brushed Stainless Steel

ITEM NO.	DESCRIPTION
RC19WBS	For RC19 Cap Rail
RC16WBS	For RC16 Cap Rail

Minimum Order: 1 Each.

## FHC Vertical 90° Corner

- 316 Brushed Stainless Steel



ITEM NO.	DESCRIPTION
RC19V90BS	For RC19 Cap Rail
RC16V90BS	For RC16 Cap Rail

Minimum Order: 1 Each.

## FHC Horizontal 90° Corner

- 316 Brushed Stainless Steel



ITEM NO.	DESCRIPTION
RC19HBS	For RC19 Cap Rail
RC16HBS	For RC16 Cap Rail

Minimum Order: 1 Each.

## FHC End Caps

- 316 Brushed Stainless Steel



ITEM NO.	DESCRIPTION
RC19ECBS	For RC19 Cap Rail
RC16ECBS	For RC16 Cap Rail

Minimum Order: 1 Each.

## FHC Adjustable Up Angle

- 316 Brushed Stainless Steel



ITEM NO.	DESCRIPTION
RC19UABS	For RC19 Cap Rail
RC16UABS	For RC16 Cap Rail

Minimum Order: 1 Each.

## FHC Adjustable Down Angle

- 316 Brushed Stainless Steel



ITEM NO.	DESCRIPTION
RC19DABS	For RC19 Cap Rail
RC16DABS	For RC16 Cap Rail

Minimum Order: 1 Each.

## FHC Connector Sleeve

- 316 Brushed Stainless Steel



ITEM NO.	DESCRIPTION
RC19CSS	For RC19 Cap Rail
RC16CSS	For RC16 Cap Rail

Minimum Order: 1 Each.

## FHC Gaskets

- Securely Attaches Glass to Cap Rail
- 228" Length



FOR RC16 ITEM NO.	FOR RC19 ITEM NO.	GLASS THICKNESS
RCV1612RL	RCV1912RL	For 1/2" to 9/16" Glass
RCV1658RL	RCV1958RL	For 5/8" to 11/16" Glass
RCV1634RL	RCV1934RL	For 3/4" Glass
RCV161316RL	RCV191316RL	For 13/16" Glass
---	RCV191RL	For 1" Glass

Minimum Order: 1 Roll.



## FHC CR1 Cap Rail

- 316 Brushed Stainless Steel
- 228" Lengths

ITEM NO. CR1BS228



ITEM NO. CR1BS228 End Cap



ITEM NO. CR1ECBS Connector Sleeve



ITEM NO. CR1HBS 90 Degree Horizontal Corner



ITEM NO. CREP12BS Rail Edge Protector For 1/2" Cap Rail

ITEM NO. CREP34BS Rail Edge Protector For 3/4" Cap Rail



THE GLAZING SUPPLY COMPANY  
EXPERIENCE AND INNOVATION



visit [fhc-usa.com](http://fhc-usa.com) to search for

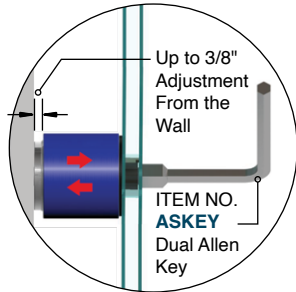
Cap Rail

Enter the Item Number or scan QR code with your smartphone for complete product details

## FHC Standoffs and Handrail Brackets

### FHC Adjustable Length Railing Standoff

- Innovative Design Allows for Adjustment Without Having to Remove Glass.
- Includes Standoff, Cap and Gaskets
- Available In Two Standard Lengths
- Up to 3/8" Adjustment
- For 1/2"-13/16" Thick Glass



ITEM NO.	DESCRIPTION	FINISH
AS2X134BS	1-3/4" Long Base	Brushed Stainless
A2X134PSS	1-3/4" Long Base	Polished Stainless
AS2X134MB	1-3/4" Long Base	Matte Black
AS2X138BS	1-3/8" Long Base	Brushed Stainless
AS2X138PS	1-3/8" Long Base	Polished Stainless
AS2X138MB	1-3/8" Long Base	Matte Black

ASW342	Strap Wrench for Standoff
--------	---------------------------

Minimum Order: 1 Each.

### FHC Handrail, Brackets and Components

#### FHC Wall Mount Handrail Bracket

- Includes Two #10 Handrail Mounting Screws
- 316 Brushed Stainless Steel



ITEM NO  
HB155WBS

#### FHC Wall Mount Handrail Bracket With Adjustable Saddle

- Includes Two #10 Handrail Mounting Screws
- 316 Brushed Stainless Steel



ITEM NO  
HB154WBS

#### FHC Glass Mount Handrail Bracket

- Includes Two #10 Handrail Mounting Screws
- 316 Brushed Stainless Steel



ITEM NO.	DESCRIPTION
HB153GBS	3-1/8" C.L. Projection
HB153CGBS	2-1/4" C.L. Projection

Minimum Order: 1 Each.

#### FHC Wall Mount Handrail Bracket

- Includes Two #10 Handrail Mounting Screws
- 316 Brushed Stainless Steel



ITEM NO.	DESCRIPTION
HB152WBS	3-1/8" C.L. Projection
HB152CWBS	2-1/4" C.L. Projection

Minimum Order: 1 Each.

#### FHC Glass Mount Handrail Bracket

- Includes Two #10 Handrail Mounting Screws
- 316 Brushed Stainless Steel



ITEM NO.	DESCRIPTION
HB152GBS	3-1/4" C.L. Projection
HB152CGBS	2-1/4" C.L. Projection

Minimum Order: 1 Each.

#### FHC Wall Mount Handrail Bracket

- Includes Two #10 Handrail Mounting Screws
- 316 Brushed Stainless Steel



ITEM NO.	DESCRIPTION
HB151WBS	3-1/8" C.L. Projection
HB151CWBS	2-1/4" C.L. Projection

Minimum Order: 1 Each.

#### FHC Wall Mount Handrail Bracket

- Includes Two #10 Handrail Mounting Screws
- 316 Brushed Stainless Steel



ITEM NO.	DESCRIPTION
HB151GBS	3-1/4" C.L. Projection
HB151CGBS	2-1/4" C.L. Projection

Minimum Order: 1 Each.

#### FHC Replacement Saddle For HB152 and HB153

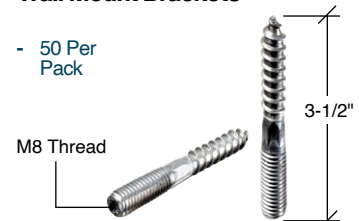


ITEM NO.	DESCRIPTION
HBFSBS	Flat Saddle
HBFS19BS	Curved Saddle for 1.9" Handrail
HBFS16BS	Curved Saddle for 1.66" Handrail
HBFS15BS	Curved Saddle for 1.5" Handrail

Minimum Order: 1 Each.

#### FHC Replacement Hanger Bolt For Wall Mount Brackets

- 50 Per Pack



ITEM NO  
HB8X89SS

visit [fhc-usa.com](http://fhc-usa.com) to search for

Handrail



Enter the Item Number or scan QR code with your smartphone for complete product details



4361 Firestone Blvd. South Gate, CA 90280  
Toll Free: (888) 295-4531 | Direct: (323) 968-2031  
Fax: (323) 336-8307 | [fhc-usa.com](http://fhc-usa.com)

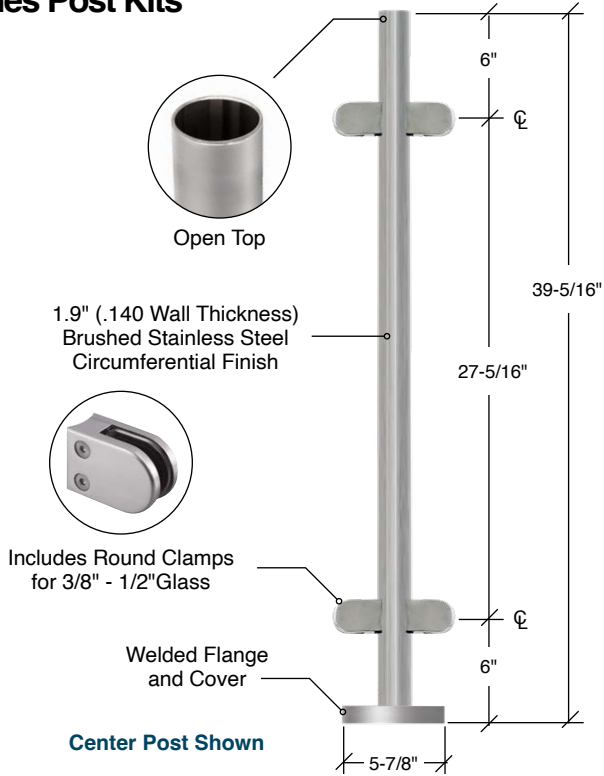


FHC V-Line Post and Handrail

# FHC V-Line Post and Handrail



## FHC FP142 V-Line Series Post Kits



FHC FP142 V-LINE SERIES POST KITS

ITEM NO.	DESCRIPTION
PK1942EBS	End Post
PK1942CBS	Center Post
PK1942LBS	90 Degree Corner Post
PK1942BBS	Blank Post

Minimum Order: 1 Each.

- 316 Brushed Stainless Steel
- Brushed Stainless Finish
- 1.9" Diameter Post
- Pre-Assembled Post Kits Ready to Ship
- Top Caps and Saddles Sold Separately

## FHC FP142 V-Line Series Post Kits



FHC FP142 V-LINE SERIES POST KITS

ITEM NO.	DESCRIPTION
FPK1950EBS	50" Tall End Post
FPK1950CBS	50" Tall Center Post
FPK1947EBS	47" Tall End Post
FPK1947CBS	47" Tall Center Post

Minimum Order: 1 Each.

- 316 Brushed Stainless Steel
- Brushed Stainless Finish
- 1.9" Diameter Post
- Pre-Assembled Post Kits Ready to Ship
- Top Caps and Saddles Sold Separately

### FHC Standard Fascia Bracket



- 316 Brushed Stainless Steel
- For Used With FPK1947 Series Post

ITEM NO  
TH19FBBS

### FHC Narrow Fascia Bracket



- 316 Brushed Stainless Steel
- For Used With FPK1947 Series Post

ITEM NO  
TH19FBBS

### FHC Saddle Bracket

- 316 Brushed Stainless Steel
- For Use With V-Line FPK1947 Series Post



ITEM NO.	DESCRIPTION
TH19TM180BS	Stem With 180° Saddle
TH19TM90BS	Stem With 90° Saddle

Minimum Order: 1 Each.

### FHC V-Line Post Caps

- 316 Brushed Stainless Steel



ITEM NO  
PK19ECBS



THE GLAZING SUPPLY COMPANY  
EXPERIENCE AND INNOVATION

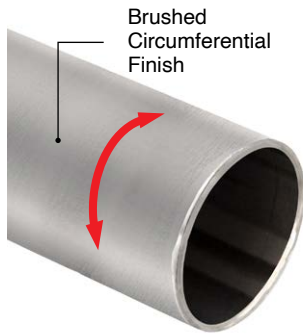


visit [fhc-usa.com](http://fhc-usa.com) to search for

Railing Posts

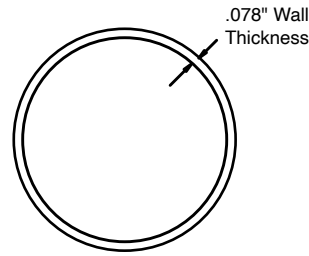
Enter the Item Number or scan QR code with your smartphone for complete product details

# FHC V-Line Handrail



## FHC V-Line Handrail

- 228" Stock Length
- 316 Brushed Stainless Steel



ITEM NO.	DESCRIPTION
TH15BS228	1.5" Outside Diameter 228" Long
TH19BS228	1.9" Outside Diameter 228" Long

Minimum Order: 1 Each. Must Ship Common Carrier.

### FHC Adjustable 0-70 Degree Corner

- 316 Brushed Stainless Steel



ITEM NO.	DESCRIPTION
TH15VABS	For TH15BS 1.5" O.D. (.078 Wall) Handrail
TH19VABS	For TH19BS 1.9" O.D. (.078 Wall) Handrail

Minimum Order: 1 Each.

### FHC Adjustable Upper Right Hand Corner

- 316 Brushed Stainless Steel



ITEM NO.	DESCRIPTION
TH15ARBS	For TH15BS 1.5" O.D. (.078 Wall) Handrail
TH19ARBS	For TH19BS 1.9" O.D. (.078 Wall) Handrail

Minimum Order: 1 Each.

### FHC Adjustable Upper Left Hand Corner

- 316 Brushed Stainless Steel



ITEM NO.	DESCRIPTION
TH15ALBS	For TH15BS 1.5" O.D. (.078 Wall) Handrail
TH19ALBS	For TH19BS 1.9" O.D. (.078 Wall) Handrail

Minimum Order: 1 Each.

### FHC Mitered Corner

- 316 Brushed Stainless Steel



90 DEGREE ITEM NO.	135 DEGREE ITEM NO.	DESCRIPTION
TH15MCBS	TH15MCBS	For TH15 Handrail
TH19MCBS	TH19MCBS	For TH19 Handrail

Minimum Order: 1 Each.

### FHC Slip Fit Connector Sleeve

- 316 Brushed Stainless Steel



ITEM NO.	DESCRIPTION
TH15CSS	For TH15BS 1.5" O.D. (.078 Wall) Handrail
TH19CSS	For TH19BS 1.9" O.D. (.078 Wall) Handrail

Minimum Order: 1 Each.

### FHC Wall Return End Cap

- 316 Brushed Stainless Steel



ITEM NO.	DESCRIPTION
TH15WRBS	For TH15BS 1.5" O.D. (.078 Wall) Handrail
TH19WRBS	For TH19BS 1.9" O.D. (.078 Wall) Handrail

Minimum Order: 1 Each.

### FHC Smooth Radius Slip Fit 90 Degree Corner

- 316 Brushed Stainless Steel



ITEM NO.	DESCRIPTION
TH15HBS	For TH15BS 1.5" O.D. (.078 Wall) Handrail
TH19HBS	For TH19BS 1.9" O.D. (.078 Wall) Handrail

Minimum Order: 1 Each.

### FHC Slip Fit Corner

- 316 Brushed Stainless Steel



ITEM NO.	DESCRIPTION
TH15LBS	For TH15BS 1.5" O.D. (.078 Wall) Handrail
TH19LBS	For TH19BS 1.9" O.D. (.078 Wall) Handrail

Minimum Order: 1 Each.

### FHC End Cap

- 316 Brushed Stainless Steel



ITEM NO.	DESCRIPTION
TH15ECBS	For TH15BS 1.5" O.D. (.078 Wall) Handrail
TH19ECBS	For TH19BS 1.9" O.D. (.078 Wall) Handrail

Minimum Order: 1 Each.

### FHC Wall Mount Flange

- 316 Brushed Stainless Steel



ITEM NO.	DESCRIPTION
TH15FBS	For TH15BS 1.5" O.D. (.078 Wall) Handrail
TH19FBS	For TH19BS 1.9" O.D. (.078 Wall) Handrail

Minimum Order: 1 Each.

### FHC Wall Flange

- 316 Brushed Stainless Steel



ITEM NO.	DESCRIPTION
TH15WFBS	For TH15BS 1.5" O.D. (.078 Wall) Handrail
TH19WFBS	For TH19BS 1.9" O.D. (.078 Wall) Handrail

Minimum Order: 1 Each.

### FHC Adjustable Wall Flange

- 316 Brushed Stainless Steel



ITEM NO.	DESCRIPTION
TH15AFBS	For TH15BS 1.5" O.D. (.078 Wall) Handrail
TH19AFBS	For TH19BS 1.9" O.D. (.078 Wall) Handrail

Minimum Order: 1 Each.

visit [fhc-usa.com](http://fhc-usa.com) to search for

Handrail



Enter the Item Number or scan QR code with your smartphone for complete product details



4361 Firestone Blvd. South Gate, CA 90280  
 Toll Free: (888) 295-4531 | Direct: (323) 968-2031  
 Fax: (323) 336-8307 | [fhc-usa.com](http://fhc-usa.com)



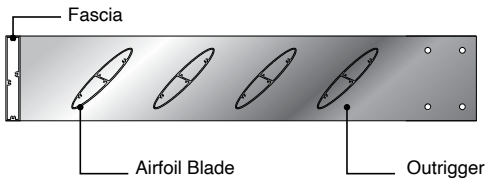
FHC Aluminum® Sunshades

# FHC Aluminum® Sunshades

- Structurally Designed to Meet Load Values
- Standard 4", 6" and 8" Brackets, Outriggers and Fascias
- Available in Anodized, Powder Coat and Kynar® Paint Finishes
- Prefabricated Outriggers and Mounting Brackets for Quick Turnaround Times
- Can Be Customized to Meet Project Requirements, Contact FHC Technical Sales for More Information



Typical Sunshade Detail  
Airfoil Model Shown

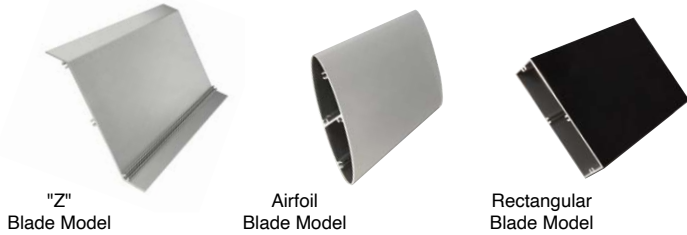


## FHC Sunshade Configurations

### STEP 1: Mounting Bracket Options (Specify)



### STEP 3: Blade Options (Specify)



### STEP 2: Outrigger Options (Specify)



### STEP 4: Fascia Options (Specify)



### Available Finishes



THE GLAZING SUPPLY COMPANY  
EXPERIENCE AND INNOVATION



visit [fhc-usa.com](http://fhc-usa.com) to search for

Sunshades

Enter the Item Number or scan QR code with your smartphone for complete product details

## FHC Stainless Steel Glass Awning Brackets

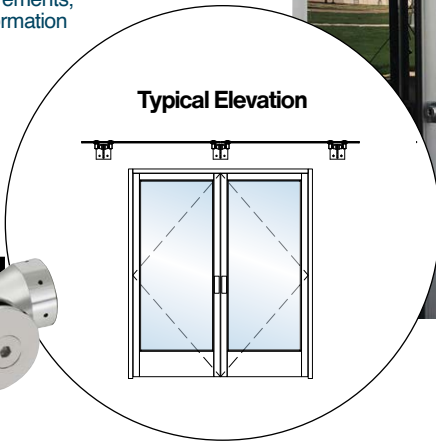
# FHC Stainless Steel Glass Awning Brackets

- Three Profiles Available: Straight, Tapered and Curved
- For 9/16" to 13/16" Thick Laminated Tempered Glass
- 304 Alloy Stainless Steel Construction
- Available in Brushed and Polished Stainless Steel
- 24", 36", and 48" Lengths Available From Stock
- Includes SB50 Glass Fitting
- Also Available in Custom Powder Coat Finish
- Can Be Customized to Meet Project Requirements, Contact FHC Technical Sales for More Information

**NEW**



Item No. SB50  
Glass Fitting  
Included



### FHC AWB Straight Blade Awning Bracket



ITEM NO.	LENGTH
AWB24XX	24"
AWB36XX	36"
AWB48XX	48"

### FHC AWBR Curved Blade Awning Bracket



ITEM NO.	LENGTH
AWBR24XX	24"
AWBR36XX	36"
AWBR48XX	48"

### FHC AWBS 5 Degree Slope Tapered Blade Awning Bracket



ITEM NO.	LENGTH
AWBS24XX	24"
AWBS36XX	36"
AWBS48XX	48"

#### Available Finishes



**BS**  
BRUSHED  
STAINLESS

**PS**  
POLISHED  
STAINLESS

**PT**  
CUSTOM  
PAINTED  
FINISH

XX Denotes Finish



CSI DIVISION 10

SECTION  
**10 7000**

visit [fhc-usa.com](http://fhc-usa.com) to search for

**Awning Brackets**



Enter the Item Number or scan QR code with your smartphone for complete product details



4361 Firestone Blvd. South Gate, CA 90280  
Toll Free: (888) 295-4531 | Direct: (323) 968-2031  
Fax: (323) 336-8307 | [fhc-usa.com](http://fhc-usa.com)



FHC GrandVue® Frameless Glass Wall Systems

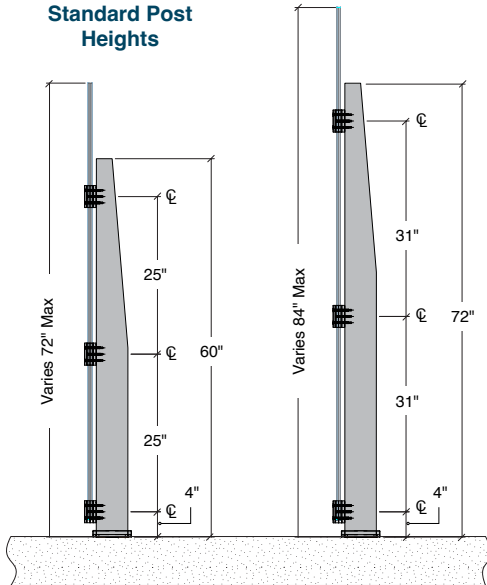
# FHC GrandVue®

## Frameless Glass Wall Systems

- 3/4" Narrow Profile Flatbar Post Design
- For Use with 9/16" to 13/16" Laminated Tempered Glass
- Great For Railing, Glass Wall Systems, and Windbreaks
- Innovative Pressure Fit Clamp Design
- No Glass Fabrication Required
- High Quality 304 Grade Stainless Steel Construction
- Designed For Interior and Exterior Applications
- Available in End or Center Configurations
- Available in Brushed Stainless, Polished Stainless and Custom Painted Finish
- Surface Mount, Fascia Mount, and Core Mount Application
- Can be Customized to Meet Project Requirements, Contact FHC Technical Sales for More Information

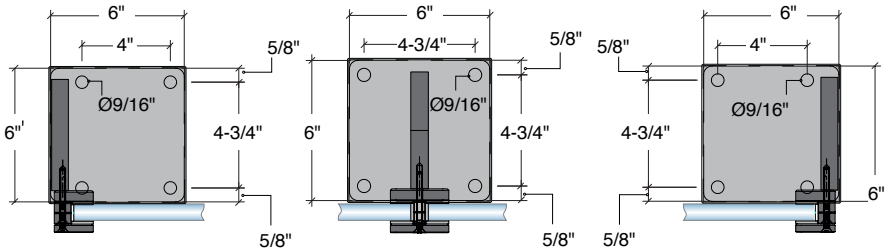


Standard Post Heights



60" Tall Post Kits

72" Tall Post Kits



Left End  
3/8" Thick Base Plate With Cover

Center Post  
3/8" Thick Base Plate With Cover

Right End  
3/8" Thick Base Plate With Cover

FHC GRANDVUE® 60" TALL POST KITS WITH GLASS CLAMPS

LEFT END POST KITS ITEM NO.	CENTER POST KITS ITEM NO.	RIGHT END POST KITS ITEM NO.	FINISH
GV60LEKBS	GV60CKBS	GV60REKBS	Brushed Stainless
GV60LEKPS	GV60CKPS	GV60REKPS	Polished Stainless

FHC GRANDVUE® 72" TALL POST KITS WITH GLASS CLAMPS

LEFT END POST KITS ITEM NO.	CENTER POST KITS ITEM NO.	RIGHT END POST KITS ITEM NO.	FINISH
GV72LEKBS	GV72CKBS	GV72REKBS	Brushed Stainless
GV72LEKPS	GV72CKPS	GV72REKPS	Polished Stainless



FHC GRANDVUE® SERIES PRESSURE FIT GLASS CLAMPS

END GLASS CLAMP ITEM NO.	LEFT END BOTTOM GLASS CLAMP ITEM NO.	LEFT END BOTTOM GLASS CLAMP ITEM NO.	CENTER GLASS CLAMPS ITEM NO.	BOTTOM CENTER GLASS CLAMPS ITEM NO.	GLASS THICKNESS	FINISH
GV12EBS	GV12LEBS	GV12REBS	GV12CBS	GV12BCBS	For 9/16" to 13/16"	Brushed Stainless
GV12EPS	GV12LEPS	GV12REPS	GV12CPS	GV12BCPS	For 9/16" to 13/16"	Polished Stainless



THE GLAZING SUPPLY COMPANY  
EXPERIENCE AND INNOVATION



visit [fhc-usa.com](http://fhc-usa.com) to search for

Grandvue

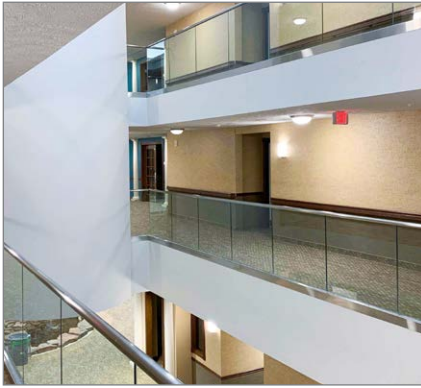
Enter the Item Number or scan QR code with your smartphone for complete product details



## FGR24R Table of Contents

### Section 1

FHC Frameless Glass Railing Systems  
Pages 07 to 30



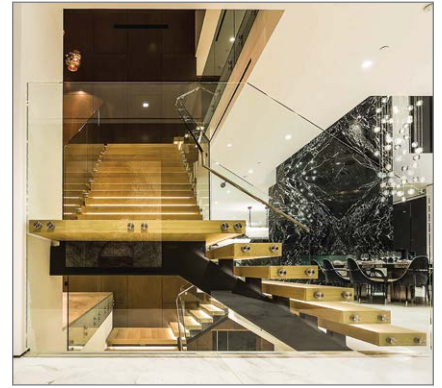
### Section 2

FHC Frameless Glass Railing Cap Rails,  
Gaskets & Accessories  
Pages 31 to 54



### Section 3

FHC Frameless Point Supported  
Railing Standoff Systems  
Pages 55 to 62



### Section 4

FHC F-Series Heavy-Duty  
Stainless Steel Post Railing Systems  
Pages 63 to 82



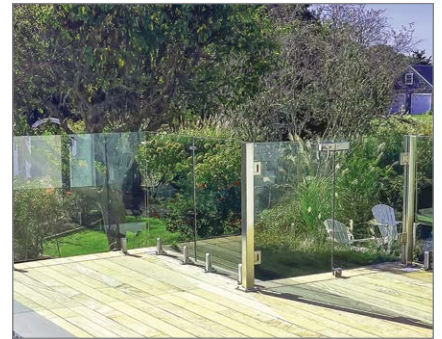
### Section 5

FHC Handrails, Brackets &  
Components  
Pages 83 to 98



### Section 6

FHC Frameless Glass  
Fence Hardware  
Pages 99 to 110



### Section 7

FHC Glass Gate Systems  
Pages 111 to 134



### Section 8

FHC Railing Installation Tools & Supplies  
Pages 135 to 158



Chat With FHC On Our Website  
to Get Real Time Expert Support  
from Knowledgeable Reps

Chat With Us!



visit [fhc-usa.com](http://fhc-usa.com) to search for

Glass Railings



Enter the Item Number or scan QR code with  
your smartphone for complete product details



4361 Firestone Blvd. South Gate, CA 90280  
Toll Free: (888) 295-4531 | Direct: (323) 968-2031  
Fax: (323) 336-8307 | [fhc-usa.com](http://fhc-usa.com)

**FHC**<sup>®</sup>  
FRAMELESS HARDWARE COMPANY

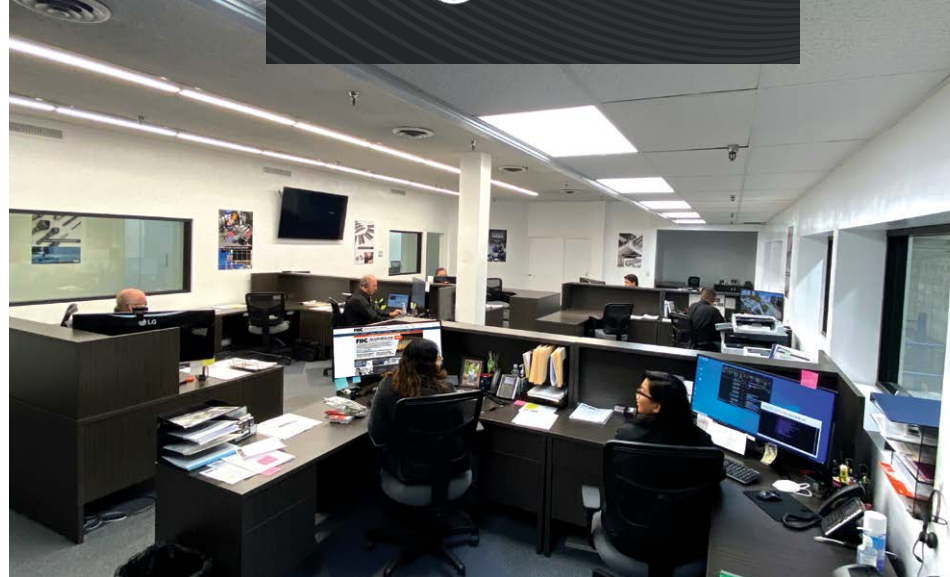
## FHC Customer Service

# FHC Customer Service

## Contact FHC's Technical Support Department for All Your Architectural Hardware Questions

For projects that require our industry-leading advantage of providing detailed consultation on the most complex installs, FHC has a dedicated Technical Sales department. Our Technical Sales Representatives have over a hundred years of combined experience in the glass industry and are ready to assist you. We value Experience and Innovation in all aspects of our business and strive to meet your expectations with every transaction.

FHC looks forward to earning your business with our dedication to providing high-quality products, short lead times and outstanding customer service. We promise a live customer service representative will always answer the phone to assist you (during business hours). When calling to place an order, check stock, or for technical assistance, FHC will always accommodate your needs.



Toll Free Phone (888) 295-4531

Direct Line (323) 968-2031

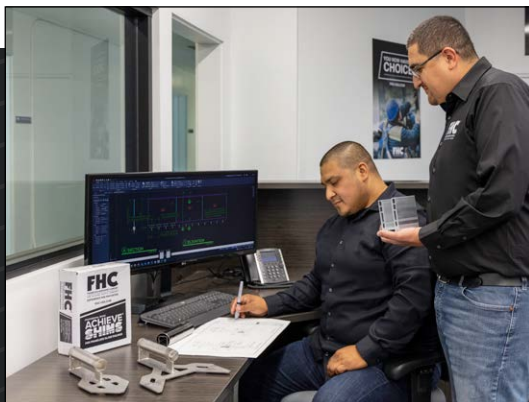
Email [railing@fhc-usa.com](mailto:railing@fhc-usa.com)

Chat With Us!



FHC Live Chat Online  
[fhc-usa.com](http://fhc-usa.com)

## Technical Sales and Estimating Department



- Quote Request
- Product Selection
- Technical Support
- Engineering
- Shop Drawings
- Fabrication Drawings
- Custom Products

## Business Development Department



- Questions About An Existing Quote
- Make Changes and Updates to Existing Quotes
- Approve Quote and Convert to Order



FRAMELESS HARDWARE COMPANY

THE GLAZING SUPPLY COMPANY  
EXPERIENCE AND INNOVATION



visit [fhc-usa.com](http://fhc-usa.com) to search for

Customer Service



Enter the Item Number or scan QR code with your smartphone for complete product details

## FHC Customer Service

### FHC Ordering Information

**SHIPPING:**

All orders are shipped F.O.B. from our service center. Orders are shipped in the manner requested by the customer (ie. Regular Ground UPS or Air UPS, Federal Express, Express Mail, Parcel Post, or Common Carrier). With no specific instructions as to which carrier is to be used, FHC will ship via the least expensive way. FHC's default carrier for all orders is UPS if size and weight permit. Size or weight restrictions sometimes do not permit us to use UPS, and we must ship via common carrier.

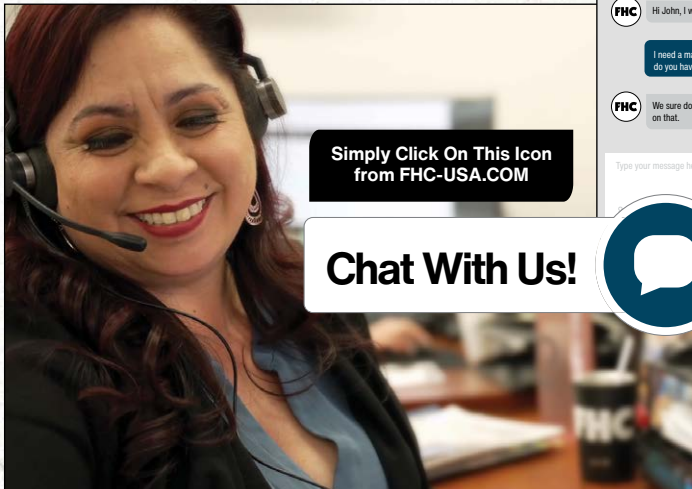
**MINIMUM ORDER HANDLING CHARGE:**

FHC is a wholesale distributor to the glazing industry, and we have set up a program where our customers can order material at the quantity they need to complete their job. Customer orders over \$25.00 will not have a handling charge. Any customer order totaling less than \$25.00 will automatically get a \$5.50 minimum order service charge added to the invoice.

**PACKING AND CUTTING CHARGES**

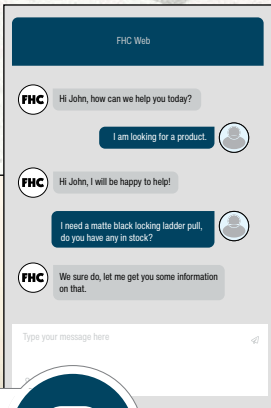
FHC stock length materials have a Packing Charge added to invoices if the specified minimum quantities are not ordered. Materials of different finishes and/or shapes may be combined to reach the minimum quantity and avoid the Packing Charge. Orders picked up at our service center in Will Call, will not incur a Packing Charge. When customers request aluminum or plastic stock lengths to be cut for shipping, we will add a \$5.50 Cutting Charge to the order (one cut per stock length). \$5.50 charge covers up to 10 pieces, not to exceed 20 pieces in total.

**NOTE:** All cut material is final sale and is non-returnable.



Simply Click On This Icon from FHC-USA.COM

**Chat With Us!**



**FHC Live WebChat Service!**  
**WebChat is a New System That Allows Customers to Communicate with FHC Representatives in Real-Time!**

- Connect Instantly With Live Support
- Over 100 Years of Combined Glazing Supplies Experience
- Get Answers You Need Right Away
- Check the Status of an Order
- Not Being Put On Hold or Having to Leave Voice Messages
- Fast and Convenient Way to Communicate!

visit [fhc-usa.com](http://fhc-usa.com) to search for

**Customer Service**



Enter the Item Number or scan QR code with your smartphone for complete product details



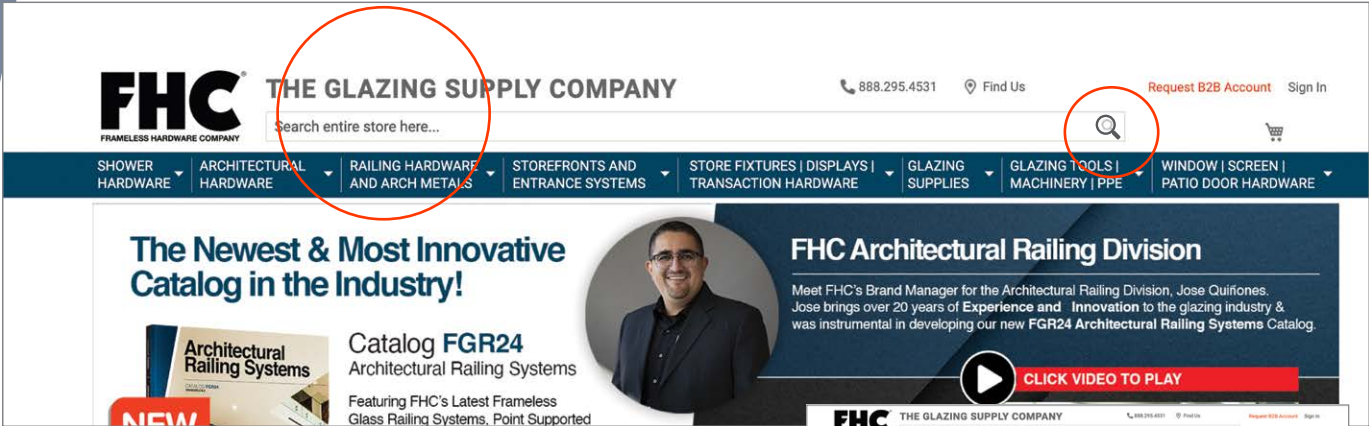
4361 Firestone Blvd. South Gate, CA 90280  
 Toll Free: (888) 295-4531 | Direct: (323) 968-2031  
 Fax: (323) 336-8307 | [fhc-usa.com](http://fhc-usa.com)



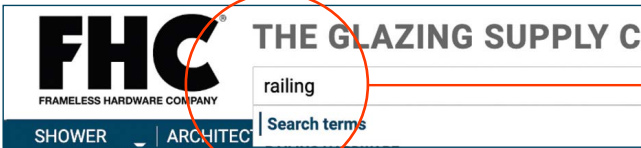
# Navigating fhc-usa.com

## fhc-usa.com Your Online Tool for All Your Architectural Railing Hardware Needs

- Products and Pricing
- Installation Instructions
- Specs, Docs and Templates
- Related Items



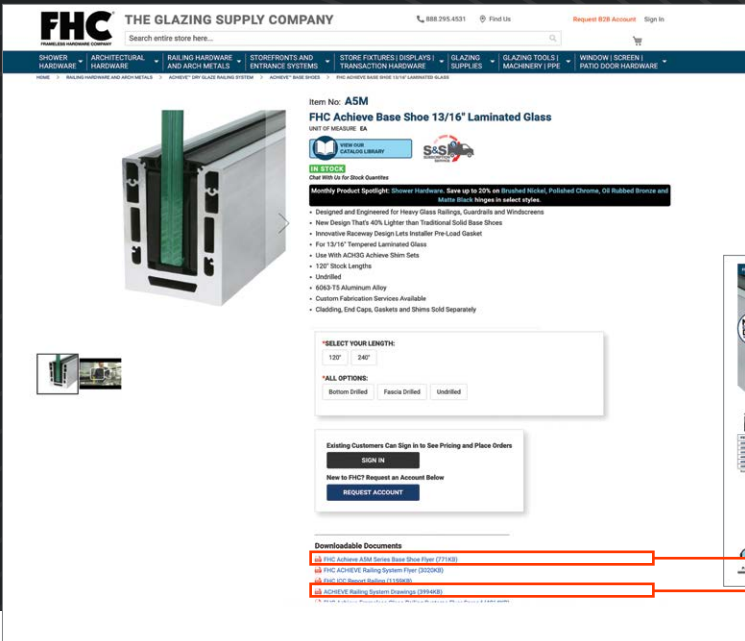
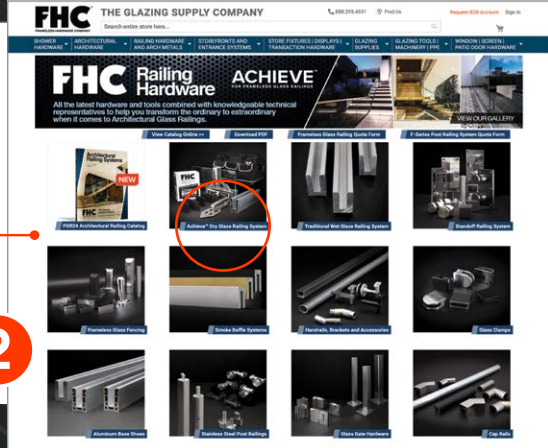
**1** **KEYWORD SEARCH**  
Enter a Description or Item Number then click the **Q** symbol to search (ie. Door Rails)



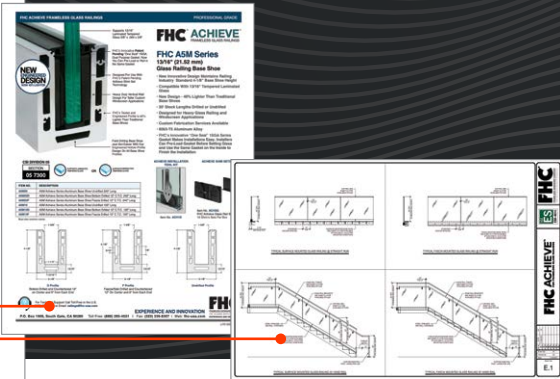
**IN STOCK**

LOOK FOR IN STOCK ICON

**2** **CLICK ON VIEW DETAILS FOR THE PRODUCT YOU ARE INTERESTED IN**



**3** **VIEW PRODUCT INFORMATION, VIEW PRICING, ADD TO CART, DOWNLOAD DRAWINGS, & SPECIFICATIONS**



**THE GLAZING SUPPLY COMPANY**  
EXPERIENCE AND INNOVATION



visit **fhc-usa.com** to search for

**fhc-usa.com**

Enter the Item Number or scan QR code with your smartphone for complete product details

# FHC INSTAQUOTE™ Online Configurator



## FHC INSTAQUOTE™ Online Configurator

- Build, Price & Order Your Next All-Glass Entrance System With Our Fast & Easy Online 3D Building Configurator!
- No License Fee
- Monthly Membership Available

### Ordering Glass & Hardware, Simplified

- Accurately Calculates Finished Glass Sizes from Field Dimensions
- Accounts for Out-of-Plumb/Level Conditions to Correctly Draw the Glass Out-of-Square
- Exports DXF Files for CNC Integration - Eliminates the Need to Manually Draw Every Piece of Glass for Fabrication

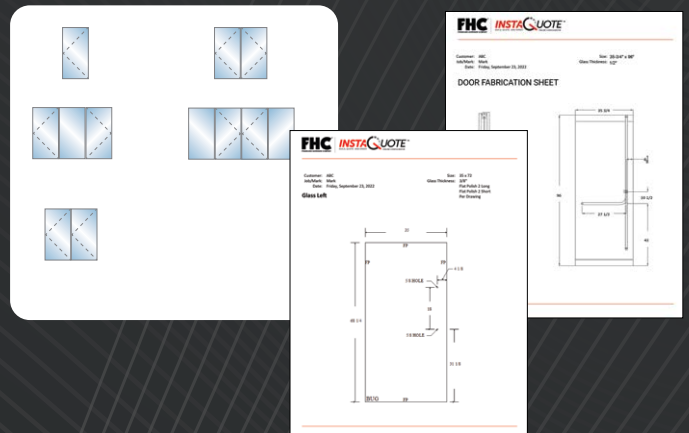
### Estimates & Support

- Generates a Quote That Can Be Emailed Directly to Your Customer
- Save PDF Files for Ease of Ordering From Your Glass or Hardware Supplier via Email
- Receive Expert Technical Assistance/ Consultation from Our Experienced Staff
- Provides an Installation Sheet That Can Be Used in the Field by the Glazing Contractor

### Software You Can Rely On

- No Connectivity Problems Due to being a Server Hosted Application - The Program is 100% Web Based
- Critical Alerts Warn the User When Hardware Specifications are Exceeded and an Action is Required to Correct the Problem
- Clear, Easy-to-Read Printed Glass Sizes or .DXF Export Files are Available

- 1** Select Your Glass Entrance Type Using FHC's Built-In Templates
- 2** Configure Your All-Glass Entrance With Hardware
- 3** Review/Edit Your Configurations, Save Your Quote and Proceed to Checkout
- 4** View Completed Quotes, Order Glass Sizes, Submittals, and Hardware List



U.S. Patent Nos. 11,060,341 and 11,187,323

visit [fhc-usa.com](http://fhc-usa.com) to search for

Instaquote



Enter the Item Number or scan QR code with your smartphone for complete product details



4361 Firestone Blvd. South Gate, CA 90280  
 Toll Free: (888) 295-4531 | Direct: (323) 968-2031  
 Fax: (323) 336-8307 | [fhc-usa.com](http://fhc-usa.com)



What's New In This Catalog

# What's **NEW** in this catalog?

Frameless Hardware Company LLC (FHC) is a company of experience and innovation. We strive to make things better and easier to install. Throughout this catalog, look for the **NEW** icon for cutting edge products. Our intention is to create and offer new items that will help your business continue to prosper.

Chat With FHC On Our Website to Get Real Time Expert Support from Knowledgeable Reps

Chat With Us!



- **ACHIEVE® Shims**
- **ACHIEVE® Tool Kit**
- **FHC Precision Lock Plus® Post Levels**
- **Laser Level Tools**
- **Cutting Band Saw**
- **Lightweight Vacuum Lifters**
- **Fence Clamps**
- **Glass Dolly**
- **Suction Cup with Built-In Level**



See Page 13



See Page 12



See Pages IV and V



See Page 138



See Page 136



See Page 141



See Pages 102 and 103



See Page 142



See Page 139



See Page 136



**THE GLAZING SUPPLY COMPANY**  
EXPERIENCE AND INNOVATION



visit [fhc-usa.com](http://fhc-usa.com) to search for

**fhc-usa**

Enter the Item Number or scan QR code with your smartphone for complete product details



PROFESSIONAL GRADE

# Section 1

FHC FRAMELESS GLASS RAILING SYSTEMS

Pages 07 to 30

- FHC ACHIEVE® FGR Frameless Glass Railing System
- FHC ACHIEVE® Installation & Removal Tool Kit
- FHC ACHIEVE® Dry Glaze Shim Sets
- FHC ACHIEVE® Glass Railing Base Shoe
- FHC ACHIEVE® Cladding, End Caps & Gaskets
- FHC Traditional Glass Railing Base Shoe
- FHC Traditional Cladding, End Caps & Gaskets
- FHC Base Drain Blocks
- FHC Wet Glaze System Components
- FHC Railing System Anchors & Tools
- FHC Railing System Reference Guide

ICC-ES is a registered trademark of ICC Evaluation Service LLC.

Chat With FHC On Our Website to Get Real Time Expert Support from Knowledgeable Reps

Chat With Us!



# FHC ACHIEVE® FGR Frameless Glass Railing System



CSI DIVISION 05

SECTION

05 7300

## The Next Generation Dry Glaze Railing System

Experience and Innovation – Frameless Hardware Company LLC (FHC) is proud to announce the addition of another innovative product to our portfolio of glass railing and windscreen solutions for commercial and residential applications. **The FHC ACHIEVE® (Patent Pending) Frameless Glass Railing System** offers the same performance characteristics of traditional glass railing systems, but with significantly expedited installation times. Our proprietary dual angle shims and economical installation/removal kit eliminate the hassle of traditional expansion cements and allow for adjustment/removal of the glass.

Our **FHC ACHIEVE®** mechanical shim set is a dry attachment system that is removed as easily as it's installed. Designed and optimized to reduce stress on monolithic and laminated tempered glass, this is the next generation of glass railing systems.

- **New Innovative Design Maintains Railing Industry Standard 4-1/8" Base Shoe Height**
- **Compatible With 1/2" Tempered Monolithic, 9/16", 11/16" and 13/16" Tempered Laminated Glass**
- **New Design - 40% Lighter Than Traditional Base Shoes**
- **Available in 10' or 20' Stock Lengths, Pre-Drilled or Undrilled**
- **Designed for Heavy Glass Railing and Windscreen Applications**
- **Custom Fabrication Services Available**
- **6063-T5 Aluminum Alloy**
- **Innovative "One Seal" 1SGA Series Gasket Makes Installations Easy. Installers Can Pre-Load Gasket Before Setting Glass and Use the Same Gasket on the Inside to Finish the Installation**



Chat With FHC On Our Website  
to Get Real Time Expert Support  
from Knowledgeable Reps

Chat With Us!



ICC-ES is a registered trademark of ICC Evaluation Service LLC.



THE GLAZING SUPPLY COMPANY  
EXPERIENCE AND INNOVATION



visit [fhc-usa.com](http://fhc-usa.com) to search for

ACHIEVE Shims



Enter the Item Number or scan QR code with  
your smartphone for complete product details



**NEW** and  
**ENGINEERED**  
**DESIGN**  
 NOW 40% LIGHTER

**FHC** **ACHIEVE**<sup>®</sup>  
 FGR FRAMELESS GLASS RAILINGS



visit [fhc-usa.com](http://fhc-usa.com) to search for

**ACHIEVE Shims**



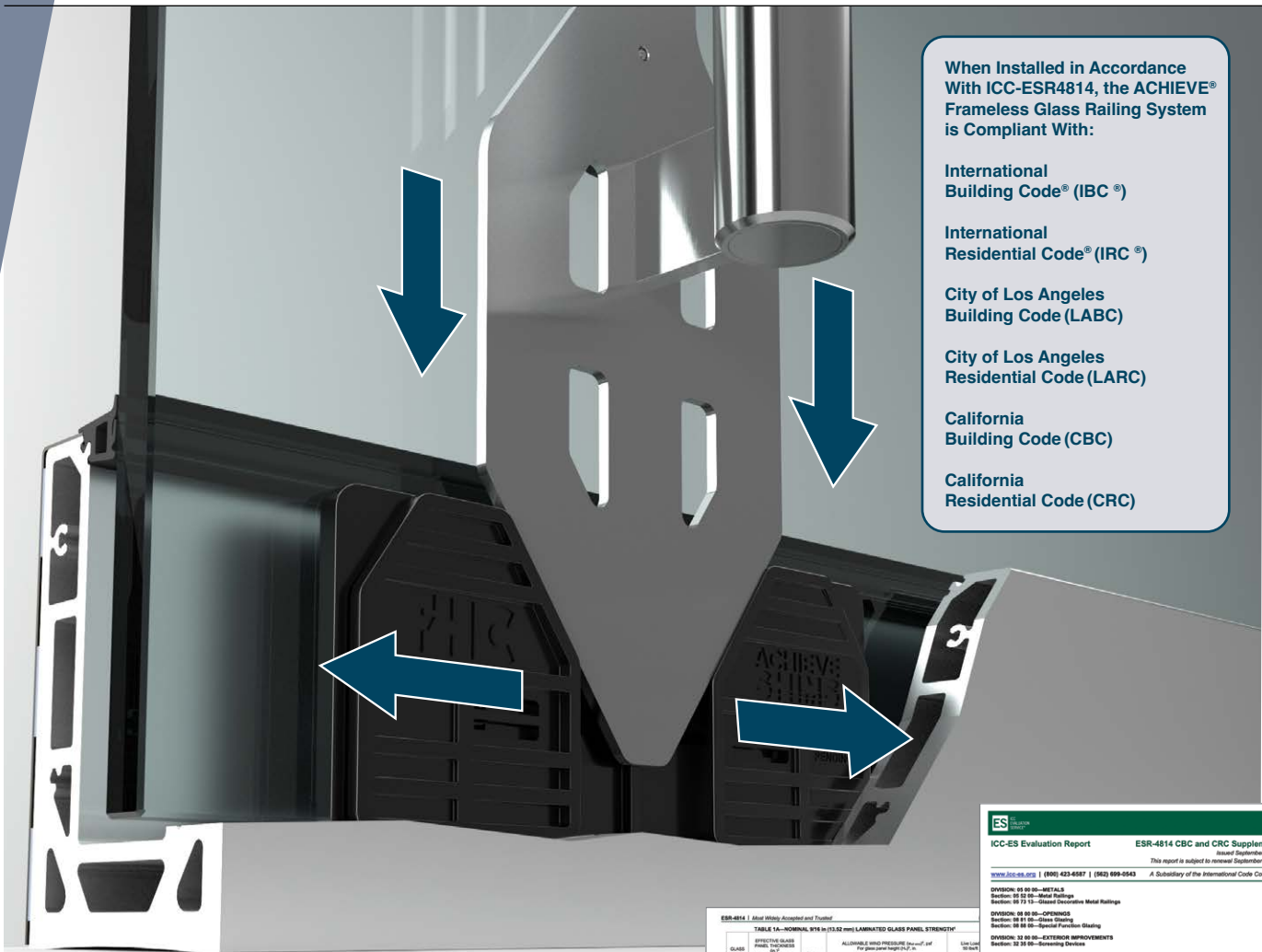
Enter the Item Number or scan QR code with your smartphone for complete product details



4361 Firestone Blvd. South Gate, CA 90280  
 Toll Free: (888) 295-4531 | Direct: (323) 968-2031  
 Fax: (323) 336-8307 | [fhc-usa.com](http://fhc-usa.com)

**FHC**<sup>®</sup>  
 FRAMELESS HARDWARE COMPANY

# FHC ACHIEVE® FGR Frameless Glass Railing System



When Installed in Accordance With ICC-ESR4814, the ACHIEVE® Frameless Glass Railing System is Compliant With:

- International Building Code® (IBC®)
- International Residential Code® (IRC®)
- City of Los Angeles Building Code (LABC)
- City of Los Angeles Residential Code (LARC)
- California Building Code (CBC)
- California Residential Code (CRC)

## ICC-ES Evaluation Report

- Report Offers Peace of Mind to Project Stakeholders Specifying, Installing or Approving Monolithic and Laminated Glass Railings and Guard Rails for Commercial and Residential Applications

The International Code Council Evaluation Service (ICC-ES) has granted approval for compliance (ESR-4814) for our entire line of ACHIEVE® Frameless Glass Railing Systems. The ICC-ES serves to assist code officials and regulatory bodies in reviewing and approving products for installation. This report covers the entirety of the system, from substrate attachment to the top rail, giving code/building officials, architects, specifiers and engineers complete confidence in product selection, knowing the system meets or exceeds building code requirements. Our glazier-friendly innovative railing system has been evaluated for compliance with International Building Code® (IBC®) and International Residential Code® (IRC®), as well as City of Los Angeles Building Code (LABC) and Residential Code (LARC) as adopted by the Los Angeles Department of Building and Safety (LADBS). The report also covers California Building Code (CBC) and California Residential Code (CRC).

ESR-4814 - Glass Safety Approved and Tested

TABLE 1A - NOMINAL 9/16 (15.2 mm) LAMINATED GLASS PANEL STRENGTH\*

GLASS PANEL TYPE	PREScriptive GLASS PANEL THICKNESS (in.)	Min. Thickness (in.)	Max. Thickness (in.)	Min. Thickness (mm)	Max. Thickness (mm)	Min. Thickness (in.)	Max. Thickness (in.)	Min. Thickness (mm)	Max. Thickness (mm)
10	0.201	0.200	0.202	5.08	5.18	0.200	0.204	5.08	5.18
11	0.201	0.200	0.202	5.08	5.18	0.200	0.204	5.08	5.18
12	0.201	0.200	0.202	5.08	5.18	0.200	0.204	5.08	5.18
13	0.201	0.200	0.202	5.08	5.18	0.200	0.204	5.08	5.18
14	0.201	0.200	0.202	5.08	5.18	0.200	0.204	5.08	5.18
15	0.201	0.200	0.202	5.08	5.18	0.200	0.204	5.08	5.18
16	0.201	0.200	0.202	5.08	5.18	0.200	0.204	5.08	5.18
17	0.201	0.200	0.202	5.08	5.18	0.200	0.204	5.08	5.18
18	0.201	0.200	0.202	5.08	5.18	0.200	0.204	5.08	5.18
19	0.201	0.200	0.202	5.08	5.18	0.200	0.204	5.08	5.18

ICC-ES Evaluation Report ESR-4814 CBC and CRC Supplement

www.iccs-es.com | (800) 433-6587 | (867) 699-0543 | A Subsidiary of the International Code Council®

ISSUED SEPTEMBER 2022

Division: 05 00 00—METALS  
Section: 05 22 00—Metal Railings  
Section: 05 73 10—Glass-Decorative Metal Railings

Division: 05 00 00—OPENINGS  
Section: 05 00 00—EXTERIOR IMPROVEMENTS  
Section: 05 00 00—Screening Devices

REPORT HOLDER:  
FRAMELESS HARDWARE COMPANY LLC

ACHIEVE FRAMELESS GLASS RAILING SYSTEM

1.0 REPORT PURPOSE AND SCOPE

Purpose:  
The purpose of this evaluation report supplement is to indicate that the Achieve Frameless Glass Railing System, described in ICC-ES evaluation report ESR-4814, has also been evaluated for compliance with the codes listed below.

Applicable code references:  
• 2018 California Building Code® (CBC)  
• 2019 California Building Code® (CBC)  
• 2018 California Residential Code® (CRC)  
• 2019 California Residential Code® (CRC)

2.0 CONCLUSIONS

2.1 CRC  
The Achieve Frameless Glass Railing System, described in Sections 2.0 through 7.0 of the evaluation report ESR-4814, complies with CBC Chapters 10 and 12, provided the system and installation are in accordance with the 2018 International Residential Code® (IRC) Chapters 10, 11 and 12.



ICC-ES is a registered trademark of ICC Evaluation Service LLC. International Building Code, IBC, International Residential Code, and IRC are all registered trademarks of International Code Council, Inc.



THE GLAZING SUPPLY COMPANY  
EXPERIENCE AND INNOVATION



visit [fhc-usa.com](http://fhc-usa.com) to search for

ACHIEVE Shims

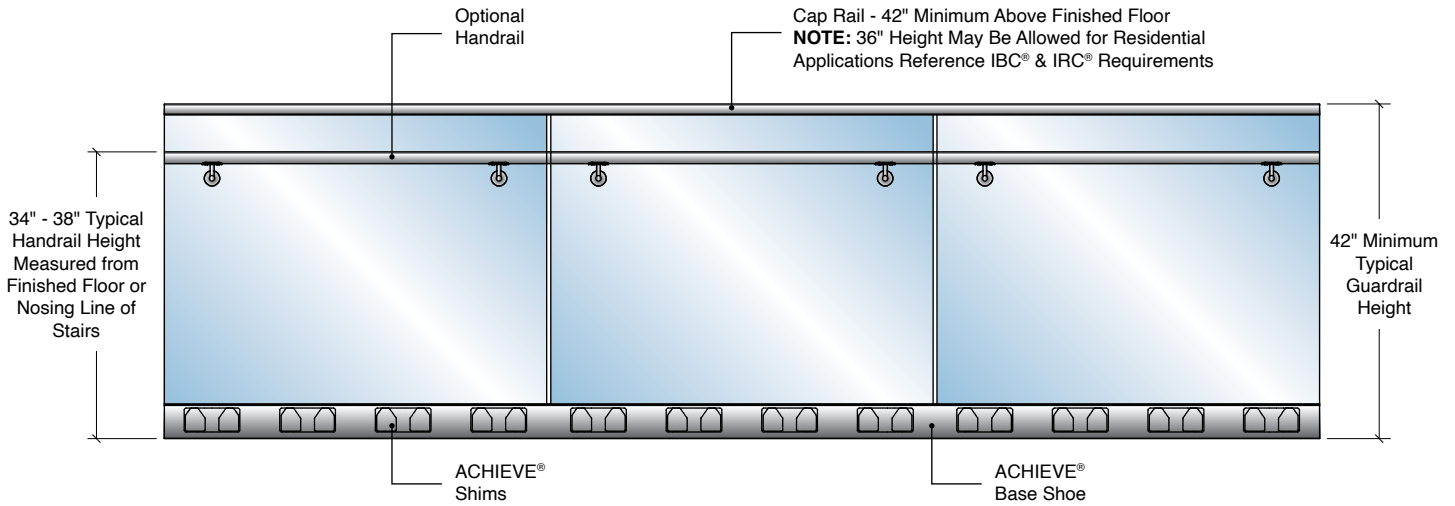
Enter the Item Number or scan QR code with your smartphone for complete product details

# FHC ACHIEVE® FGR Frameless Glass Railing System

## FHC ACHIEVE® FGR Frameless Glass Railing System Typical Elevation

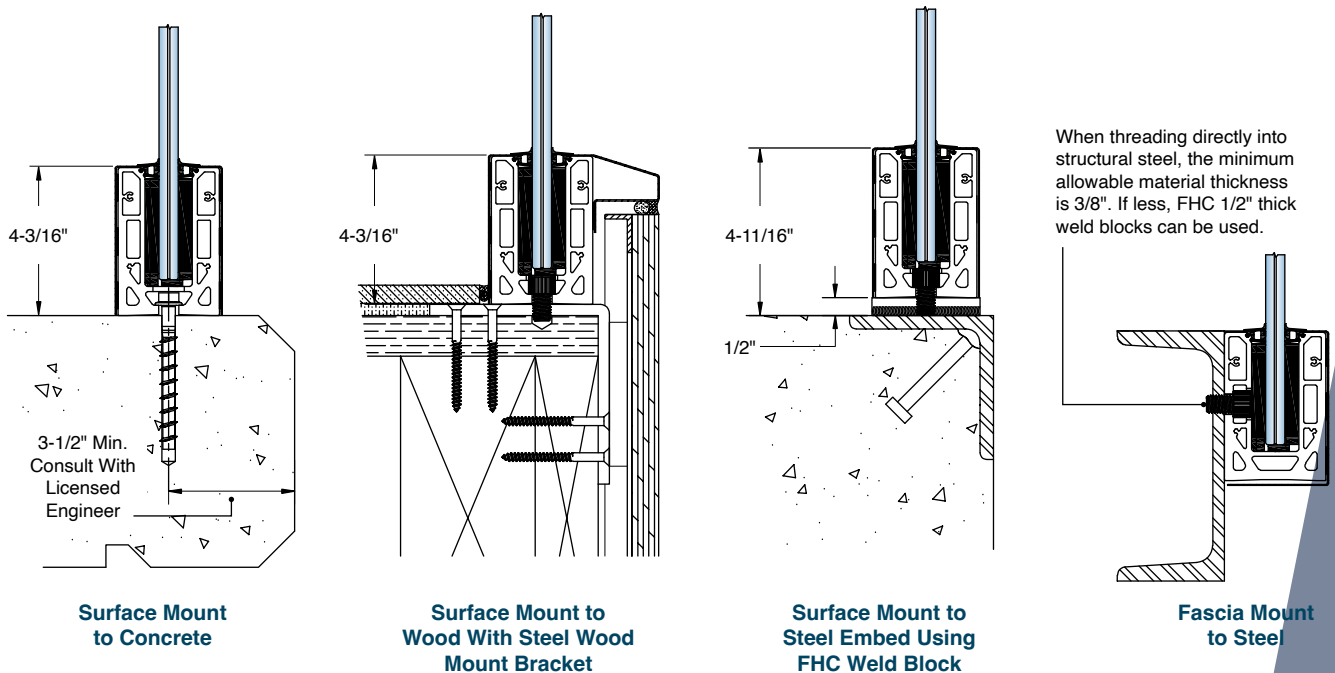


- Engineered System Meets and Exceeds Guardrail Requirements
- Systems Available for 1/2" Monolithic, 9/16", 11/16" and 13/16" Tempered Laminated Glass
- Can Be Surface Mounted or Fascia Mounted Into Concrete, Steel and Wood Substrates
- Used for Glass Railing, Pool Fencing and Windscreen Applications
- Choice of Aluminum and Stainless Steel Top Rails in Various Sizes and Lengths
- U.S. Patent Pending



## FHC Typical Base Shoe Mounting Details

These Illustrations are to provide guidance on how to use the FHC ACHIEVE® Railing System in a code compliant installation and is not a substitute for a project specific design by a qualified design professional. It is the specifiers responsibility to verify the project conditions and the suitability of the FHC ACHIEVE® system for any specific use or installation.



ICC-ES is a registered trademark of ICC Evaluation Service LLC.  
IBC and IRC are registered trademarks of International Code Council, Inc.

visit [fhc-usa.com](http://fhc-usa.com) to search for

ACHIEVE Shims

Enter the Item Number or scan QR code with your smartphone for complete product details



4361 Firestone Blvd. South Gate, CA 90280  
Toll Free: (888) 295-4531 | Direct: (323) 968-2031  
Fax: (323) 336-8307 | [fhc-usa.com](http://fhc-usa.com)



# FHC ACHIEVE® FGR Frameless Glass Railing System

## FHC ACHIEVE® Installation & Removal Tool Kit

- Extremely Simple and Easy to Use
- Designed For Use with FHC's Revolutionary ACHIEVE® Shim Sets
- FHC's ACHIEVE® Tool Kit Includes Everything Needed for the Installation and Removal Process
- Quality Heavy-Duty Stainless Steel Tools, Built to Last
- FHC's Precision Engineered Tool Design Allows For Accurately Measured Installs Every Time
- Works with Monolithic and Laminated SGP Tempered Glass
- For Use with Surface Mount, Fascia/Side Mount, and Recessed Mount Base Shoe Applications
- No More Messy Wet Set Cement
- U.S. Patent Pending



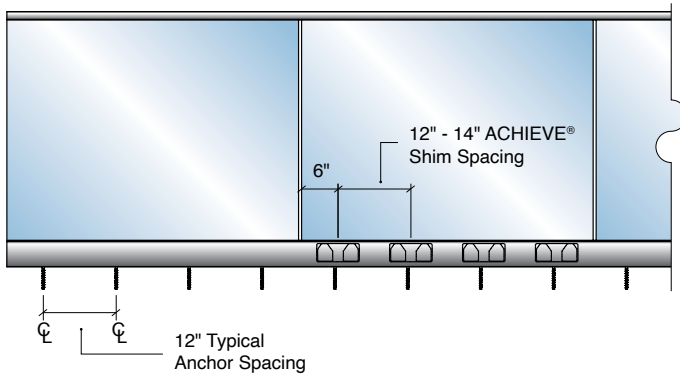
**FHC ACHIEVE®**  
FGR FRAMELESS GLASS RAILINGS

**NEW**

Everything You Need to Install or Remove FHC ACHIEVE® Shims is Included in this Kit.



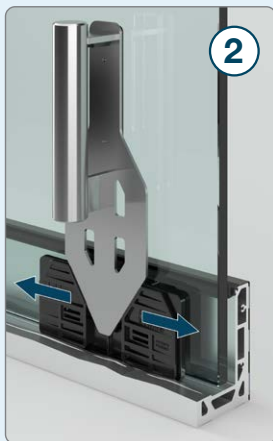
Typical Shim and Anchor Spacing



ITEM NO. **ACH1K**  
Minimum Order 1 Each

**KIT INCLUDES:**

- Tool Bag
- Installation Tool
- Removal Tool
- Glass Setting Tool
- 2 Lb. Deadblow Hammer
- Two Glass Staging Pads
- Pads Vinyl Roller



### Fast & Easy Installation

- 1 Install Base Shoe, Exterior Gasket & Setting Block
- 2 Install Glass & Set Shims Using Installation Tool
- 3 Apply Cladding & Roll-In Interior Gasket Using VRT17 Vinyl Roller Tool to Finish the Install

ICC-ES is a registered trademark of ICC Evaluation Service LLC.



**THE GLAZING SUPPLY COMPANY**  
EXPERIENCE AND INNOVATION



visit [fhc-usa.com](http://fhc-usa.com) to search for

**ACHIEVE Shims**

Enter the Item Number or scan QR code with your smartphone for complete product details

# FHC ACHIEVE® FGR Frameless Glass Railing System

## FHC ACHIEVE® Dry Glaze Shim Sets

- No More Messy Wet Set Cement
- Shim Sets for 1/2" to 11/16" and 13/16" Glass
- Packaged 10 Shim Sets Per Box
- Works With FHC ACHIEVE® Series Base Shoes
- Can be Used with Surface Mount, Fascia/Side Mount, and Recessed Mount Base Shoe Applications
- Designed for Use With FHC Item No. ACH1K Installation Tool



**NEW**

**ACHIEVE SHIMS**

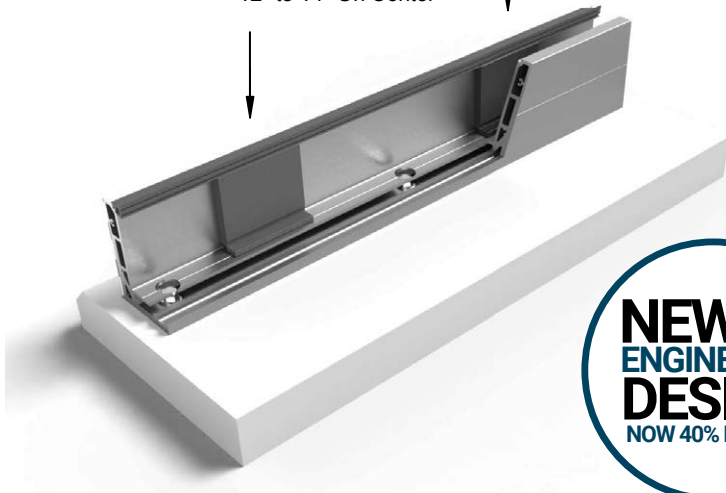


ACHIEVE® SHIMS	
ITEM NO.	DESCRIPTION
ACH2G	For 1/2" to 11/16" Glass
ACH3G	For 13/16" Glass

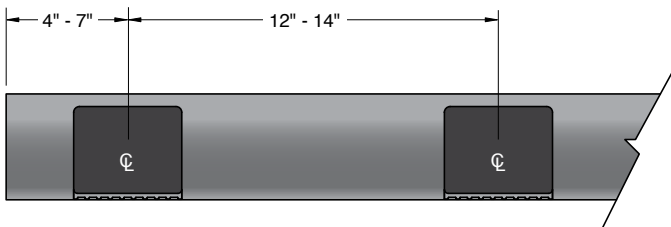
Minimum Order: 1 Box.

10 Shim Sets Per Box

Install ACHIEVE® Shims Every 12" to 14" On Center



FHC ACHIEVE® Setting Block Spacing



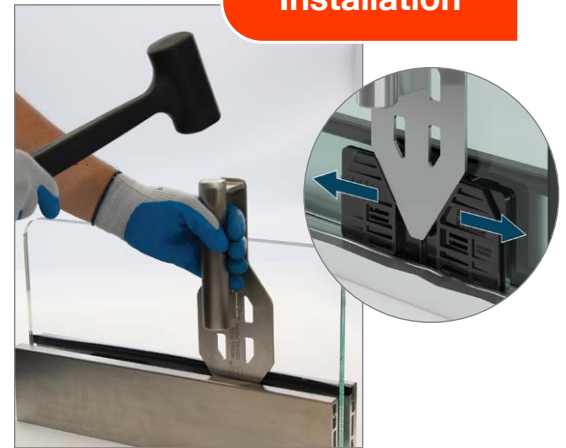
ACHIEVE® SHIM AND SETTING BLOCK SPACING

MINIMUM NO. OF SHIM SETS	GLASS LITE WIDTH
1 Shim Set	Less Than 14"
2 Shim Sets	14" to 28" Wide
3 Shim Sets	28" to 42" Wide
4 Shim Sets	42" to 56" Wide
5 Shim Sets	56" to 70" Wide
6 Shim Sets	70" to 84" Wide
7 Shim Sets	84" to 96" Wide



ACHIEVE® Setting Block

**Fast & Easy Installation**



ACHIEVE® Shim Installation Method



ACHIEVE® Shim Removal Method

ICC-ES is a registered trademark of ICC Evaluation Service LLC.

visit [fhc-usa.com](http://fhc-usa.com) to search for

**ACHIEVE Shims**



Enter the Item Number or scan QR code with your smartphone for complete product details








4361 Firestone Blvd. South Gate, CA 90280  
 Toll Free: (888) 295-4531 | Direct: (323) 968-2031  
 Fax: (323) 336-8307 | [fhc-usa.com](http://fhc-usa.com)



# FHC FGR Frameless Glass Railing System

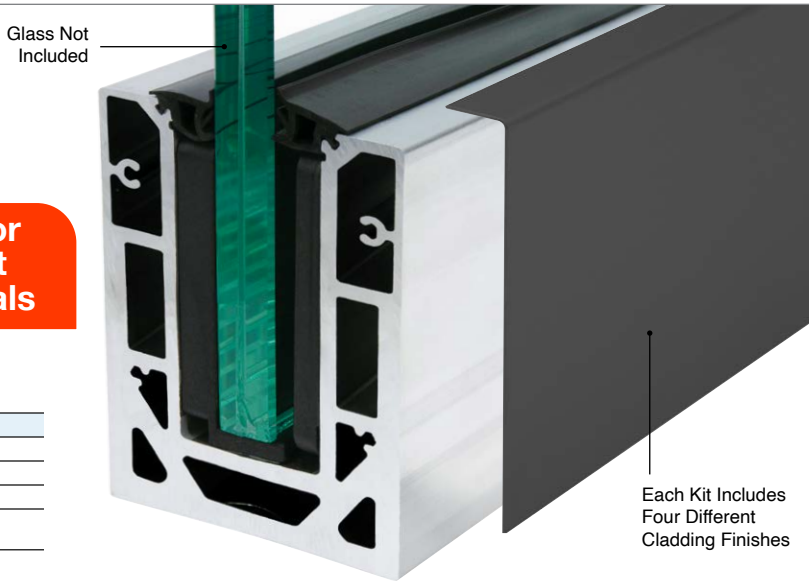
## FHC Base Shoe Quick Reference Guide

BASE SHOE	GLASS SIZE	ACHIEVE® SHIMS	ONE SEAL GASKET	WELD BLOCKS	DRAIN BLOCKS	WOOD MOUNT ANGLE	STEEL ATTACHMENT	CONCRETE ATTACHMENT
 <b>A1M SERIES ACHIEVE®</b> (See Page 15)	1/2" to 9/16" (12 to 13.52 mm)	ACH2G	1SGA500 1SGA250	GRWB2 Surface Mount GRWBF1 Fascia Mount	GRDB2 Surface Mount GRWBF1 Fascia Mount	GRWA1	1/2" - 13 SHS12X34	CRC38X4
 <b>A3M SERIES ACHIEVE®</b> (See Page 16)	11/16" (17.52 mm)	ACH2G	1SGA500 1SGA250	GRWB3 Surface Mount GRWBF1 Fascia Mount	GRDB3 Surface Mount GRWBF1 Fascia Mount	GRWA2	M14-2.0 HXHM14X34 & SW14X34	CRC12X4
 <b>A5M SERIES ACHIEVE®</b> (See Page 17)	13/16" (21.52 mm)	ACH3G	1SGA500 1SGA250	GRWB3 Surface Mount GRWBF1 Fascia Mount	GRDB3 Surface Mount GRWBF1 Fascia Mount	GRWA2	M14-2.0 HXHM14X34 & SW14X34	CRC12X4
 <b>T5L SERIES</b> (See Page 20)	1/2" to 9/16" (12 to 13.52 mm)	Not Applicable Wet Glaze Only	1SGM500 1SGM250	GRWB1 Surface Mount	GRDB1 Surface Mount	GRWA1	1/2" - 13 SHS12X34	CRC38X4
 <b>T5M SERIES</b> (See Page 21)	1/2" to 9/16" (12 to 13.52 mm)	Not Applicable Wet Glaze Only	1SGM500 1SGM250	GRWB1 Surface Mount	GRDB1 Surface Mount	GRWA1	1/2" - 13 SHS12X34	CRC38X4

### FHC ACHIEVE® and Traditional Base Shoe Sample Kits

- 12" Long Section of Shoe
- Includes ACHIEVE® Shims, Gasket and Four Standard Cladding Finishes; Brushed Stainless, Polished Stainless, Satin Anodized, and Matte Black

**Great for Project Submittals**



**12" BASE SHOE SAMPLE KITS**

ITEM NO.	DESCRIPTION
A1MSK	A1M ACHIEVE® Series Base Shoe Sample Kit
A3MSK	A3M ACHIEVE® Series Base Shoe Sample Kit
A5MSK	A5M ACHIEVE® Series Base Shoe Sample Kit
T5MSK	T5M Traditional Series Base Shoe Sample Kit (Does Not Include ACHIEVE® Shims)

Minimum Order: 1 Each.



**THE GLAZING SUPPLY COMPANY**  
EXPERIENCE AND INNOVATION



visit [fhc-usa.com](http://fhc-usa.com) to search for

**Base Shoe**

Enter the Item Number or scan QR code with your smartphone for complete product details

# FHC ACHIEVE® FGR Frameless Glass Railing System



Supports 1/2" to 9/16" Tempered and Laminated Glass

FHC's Innovative Patent Pending "One Seal" 1SGA Dual Purpose Gasket. Now You Can Pre-Load or Roll in the Same Gasket (See Page 19)

Designed For Use With FHC's Patent Pending ACHIEVE® Dry Glaze Shim Set Technology (See Page 13)

FHC's Tested and Engineered Profile is 40% Lighter Than Traditional Base Shoes

Field Drilling Base Shoe Just Got Easier With Our Engineered Hollow Profile Design On All Base Shoe Profiles

See Page 18 for Cladding Options

## FHC ACHIEVE® FGR FRAMELESS GLASS RAILINGS

# FHC A1M Series

## 1/2" (12 mm) - 9/16" (13.52 mm) Glass Railing Base Shoe

- New Innovative Design Maintains Railing Industry Standard 4-1/8" Base Shoe Height
- Compatible With 1/2" Monolithic and 9/16" Laminated Tempered Glass Thickness Range: .469" Min to .531" Max
- New Design - 40% Lighter Than Traditional Base Shoes
- 10' and 20' Stock Lengths Drilled or Undrilled
- Designed for Heavy Glass Railing and Windscreen Applications
- Custom Fabrication Services Available
- 6063-T5 Aluminum Alloy
- FHC's Innovative "One Seal" 1SGA Series Gasket Makes Installations Easy. Installers Can Pre-Load Gasket Before Setting Glass and Use the Same Gasket on the Inside to Finish Installation

### A1M ACHIEVE® SERIES ALUMINUM BASE SHOE

ITEM NO.	DESCRIPTION
A1M10	Undrilled 120" Long
A1M10D	Bottom Drilled 12" C.T.C. 120" Long
A1M10F	Fascia Drilled 12" C.T.C. 120" Long
A1M20	Undrilled 240" Long
A1M20D	Drilled 12" C.T.C. 240" Long
A1M20F	Fascia Drilled 12" C.T.C. 240" Long

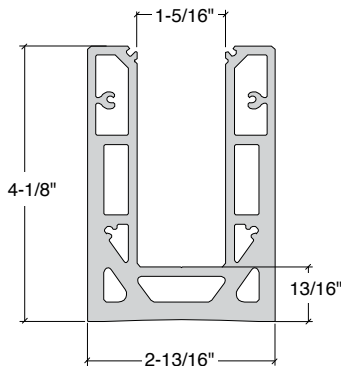
Minimum Order: 1 Each. Must Ship Common Carrier.



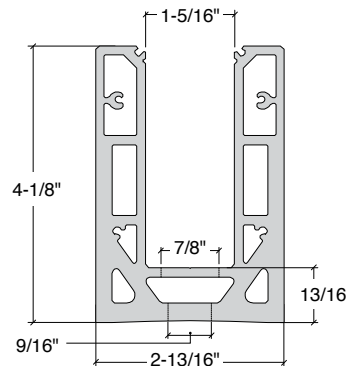
ITEM NO. **ACH2G**  
FHC ACHIEVE® Glass Rail Shim Set 10 Shim Sets Per Box



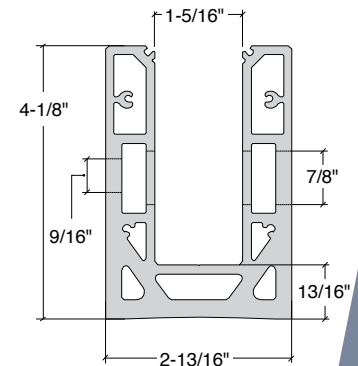
ITEM NO. **ACH1K**  
ACHIEVE® Installation Tool Kit



**Undrilled Profile**



**D Profile**  
Bottom Drilled and Counterbored 12" on Center and 6" From Each End



**F Profile**  
Fascia/Side Drilled and Counterbored 12" On Center and 6" From Each End

ICC-ES is a registered trademark of ICC Evaluation Service LLC.

visit [fhc-usa.com](http://fhc-usa.com) to search for

Base Shoe

Enter the Item Number or scan QR code with your smartphone for complete product details



4361 Firestone Blvd. South Gate, CA 90280  
Toll Free: (888) 295-4531 | Direct: (323) 968-2031  
Fax: (323) 336-8307 | [fhc-usa.com](http://fhc-usa.com)



# FHC ACHIEVE® FGR Frameless Glass Railing System

## FHC ACHIEVE®

FGR FRAMELESS GLASS RAILINGS

# FHC A3M Series

## 11/16" (17.52 mm) Glass Railing Base Shoe

- New Innovative Design Maintains Railing Industry Standard 4-1/8" Base Shoe Height
- Compatible With 11/16" Tempered Laminated Glass Thickness Range: .665" Min to .726" Max
- New Design - 40% Lighter Than Traditional Base Shoes
- 10' and 20' Stock Lengths Drilled or Undrilled
- Designed for Heavy Glass Railing and Windscreen Applications
- Custom Fabrication Services Available
- 6063-T5 Aluminum Alloy
- FHC's Innovative "One Seal" 1SGA Series Gasket Makes Installations Easy. Installers Can Pre-Load Gasket Before Setting Glass and Use the Same Gasket on the Inside to Finish Installation



Supports 11/16" Laminated Tempered Glass 5/16" x .060 x 5/16"

FHC's Innovative Patent Pending "One Seal" 1SGA Dual Purpose Gasket. Now You Can Pre-Load or Roll in the Same Gasket (See Page 19)

Designed For Use With FHC's Patent Pending ACHIEVE® Dry Glaze Shim Set Technology (See Page 13)

Heavy-Duty Vertical Wall Design For Taller Custom Windscreen Applications

FHC's Tested and Engineered Profile is 40% Lighter Than Traditional Base Shoes

Field Drilling Base Shoe Just Got Easier With Our Engineered Hollow Profile Design On All Base Shoe Profiles



See Page 18 for Cladding Options

### A3M ACHIEVE® SERIES ALUMINUM BASE SHOE

ITEM NO.	DESCRIPTION
A3M10	Undrilled 120" Long
A3M10D	Bottom Drilled 12" C.T.C. 120" Long
A3M10F	Fascia Drilled 12" C.T.C. 120" Long
A3M20	Undrilled 240" Long
A3M20D	Bottom Drilled 12" C.T.C. 240" Long
A3M20F	Fascia Drilled 12" C.T.C. 240" Long

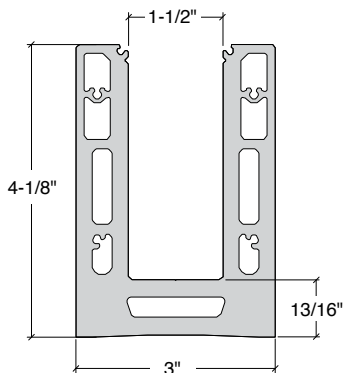
Minimum Order: 1 Each. Must Ship Common Carrier.



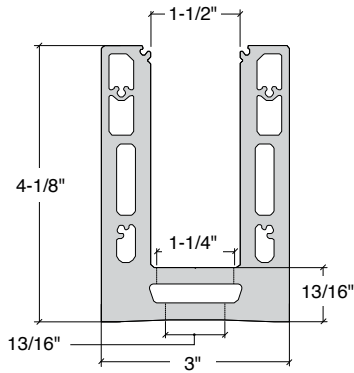
ITEM NO. **ACH2G**  
FHC ACHIEVE® Glass Rail Shim Set  
10 Shim Sets Per Box



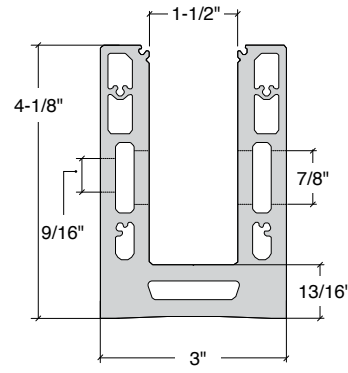
ITEM NO. **ACH1K**  
ACHIEVE® Installation Tool Kit



**Undrilled Profile**



**D Profile**  
Bottom Drilled and Counterbored 12" on Center and 6" From Each End



**F Profile**  
Fascia/Side Drilled and Counterbored 12" On Center and 6" From Each End

ICC-ES is a registered trademark of ICC Evaluation Service LLC.



**THE GLAZING SUPPLY COMPANY**  
EXPERIENCE AND INNOVATION



visit [fhc-usa.com](http://fhc-usa.com) to search for

**Base Shoe**

Enter the Item Number or scan QR code with your smartphone for complete product details



# FHC ACHIEVE® FGR Frameless Glass Railing System



## FHC ACHIEVE® FGR FRAMELESS GLASS RAILINGS

# FHC A5M Series

## 13/16" (21.52 mm) Glass Railing Base Shoe

- New Innovative Design Maintains Railing Industry Standard 4-1/8" Base Shoe Height
- Compatible With 13/16" Tempered Laminated Glass Thickness Range: .769" Min to .830 Max.
- New Design - 40% Lighter Than Traditional Base Shoes
- 10' and 20' Stock Lengths Drilled or Undrilled
- Designed for Heavy Glass Railing and Windscreen Applications
- Custom Fabrication Services Available
- 6063-T5 Aluminum Alloy
- FHC's Innovative "One Seal" 1SGA Series Gasket Makes Installations Easy. Installers Can Pre-Load Gasket Before Setting Glass and Use the Same Gasket on the Inside to Finish the Installation

See Page 18 for Cladding Options

### A5M ACHIEVE® SERIES ALUMINUM BASE SHOE

ITEM NO.	DESCRIPTION
A5M10	Undrilled 120" Long
A5M10D	Bottom Drilled 12" C.T.C. 120" Long
A5M10F	Fascia Drilled 12" C.T.C. 120" Long
A5M20	Undrilled 240" Long
A5M20D	Bottom Drilled 12" C.T.C. 240" Long
A5M20F	Fascia Drilled 12" C.T.C. 240" Long

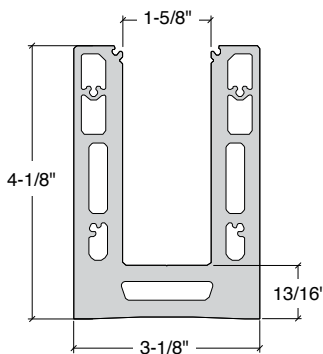
Minimum Order: 1 Each. Must Ship Common Carrier.



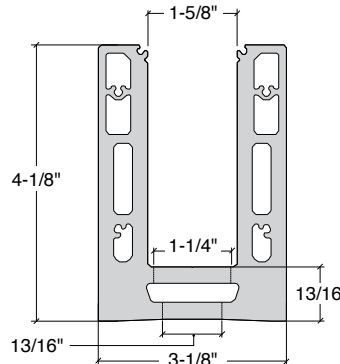
ITEM NO. **ACH3G**  
FHC ACHIEVE® Glass Rail Shim  
Set 10 Shim Sets Per Box



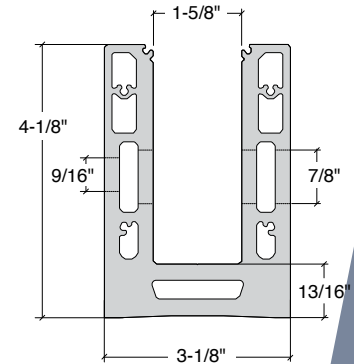
ITEM NO. **ACH1K**  
ACHIEVE®  
Installation Tool Kit



**Undrilled Profile**



**D Profile**  
Bottom Drilled and Counterbored 12" on Center and 6" from Each End



**F Profile**  
Fascia/Side Drilled and Counterbored 12" On Center and 6" from Each End

ICC-ES is a registered trademark of ICC Evaluation Service LLC.

visit [fhc-usa.com](http://fhc-usa.com) to search for

Base Shoe



Enter the Item Number or scan QR code with your smartphone for complete product details



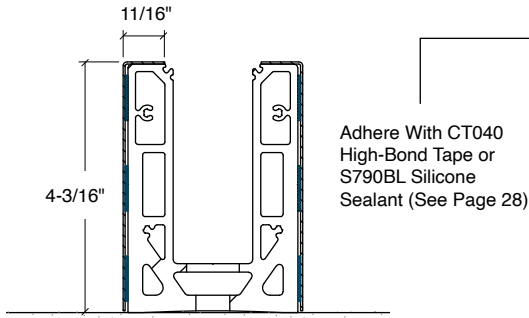
4361 Firestone Blvd. South Gate, CA 90280  
Toll Free: (888) 295-4531 | Direct: (323) 968-2031  
Fax: (323) 336-8307 | [fhc-usa.com](http://fhc-usa.com)



# FHC ACHIEVE® FGR Frameless Glass Railing System

## FHC Cladding for A1M, A3M and A5M Series Base Shoe

- Designed for Use on ACHIEVE® Series Base Shoes
- Available in Four Architectural Finishes
- Sold Individually in 120" Lengths
- Installs With CT040 High Bond Tape or S790BL Silicone
- Custom Fabrication and Powder Coat Services Available
- Contact FHC Technical Sales for a Quote



ITEM NO.	LENGTH	FINISH
ASC10BS	120" Long	Brushed Stainless
ASC10PS	120" Long	Polished Stainless
ASC10SA	120" Long	Satin Anodized
ASC10MB	120" Long	Matte Black

Minimum Order: 1 Each. Must Ship Common Carrier.

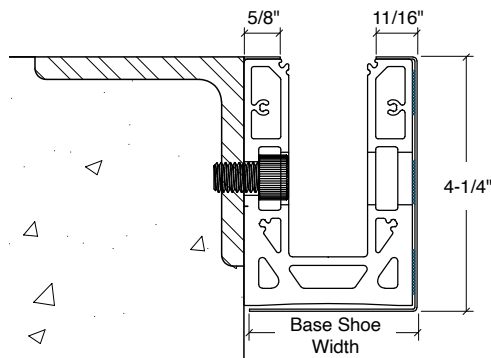
Chat With FHC On Our Website to Get Real Time Expert Support from Knowledgeable Reps

Chat With Us!



## FHC Fascia Cladding for A1M, A3M and A5M Series Base Shoe

- Designed for Use on ACHIEVE® Series Base Shoes
- Available in Four Architectural Finishes
- Sold Individually in 120" Lengths
- Installs With CT040 High Bond Tape or S790BL Silicone
- Custom Fabrication and Powder Coat Services Available
- Contact FHC Technical Sales for a Quote



### INSIDE CLADDING FOR FASCIA MOUNTED A1M, A3M & A5M BASE SHOE

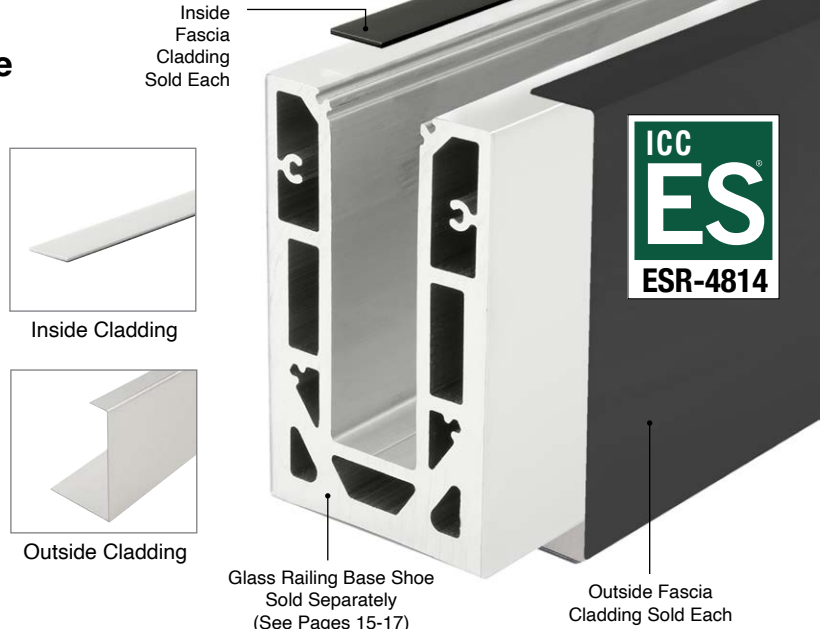
ITEM NO.	LENGTH	FINISH
ASC1FBS	120" Long	Brushed Stainless
ASC1FPS	120" Long	Polished Stainless
ASC1FSA	120" Long	Satin Anodized
ASC1FMB	120" Long	Matte Black

Minimum Order: 1 Each. Must Ship Common Carrier.

### OUTSIDE CLADDING FOR FASCIA MOUNTED A1M, A3M & A5M BASE SHOE

FOR A1M ITEM NO.	FOR A3M ITEM NO.	FOR A5M ITEM NO.	LENGTH	FINISH
A1C0FBS	A3C0FBS	A5C0FBS	120" Long	Brushed Stainless
A1C0FPS	A3C0FPS	A5C0FPS	120" Long	Polished Stainless
A1C0FSA	A3C0FSA	A5C0FSA	120" Long	Satin Anodized
A1C0FMB	A3C0FMB	A5C0FMB	120" Long	Matte Black

Minimum Order: 1 Each. Must Ship Common Carrier.



THE GLAZING SUPPLY COMPANY  
EXPERIENCE AND INNOVATION



visit [fhc-usa.com](http://fhc-usa.com) to search for

Base Shoe

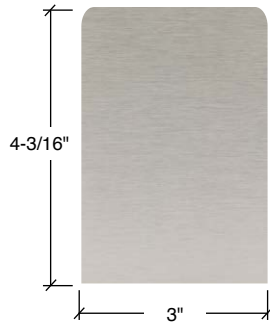


Enter the Item Number or scan QR code with your smartphone for complete product details

# FHC ACHIEVE® FGR Frameless Glass Railing System

## FHC End Caps for ACHIEVE® A1M Series Base Shoes

- Fits A1M Series Base Shoe
- Install With CT040 High-Bond Tape or S790BL Silicone (See Page 28)
- Custom End Cap Sizes and Powder Coat Finishes Available, Contact FHC Technical Sales for a Quote

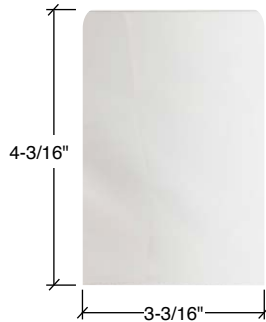


ITEM NO.	DESCRIPTION	FINISH
AEC1BS	End Cap for A1M ACHIEVE® Base Shoe	Brushed Stainless
AEC1PS	End Cap for A1M ACHIEVE® Base Shoe	Polished Stainless
AEC1SA	End Cap for A1M ACHIEVE® Base Shoe	Satin Anodized
AEC1MB	End Cap for A1M ACHIEVE® Base Shoe	Matte Black

Minimum Order: 1 Each.

## FHC End Caps for ACHIEVE® A3M Series Base Shoes

- Fits A3M Series Base Shoe
- Install With CT040 High-Bond Tape or S790BL Silicone (See Page 28)
- Custom End Cap Sizes and Powder Coat Finishes Available, Contact FHC Technical Sales for a Quote

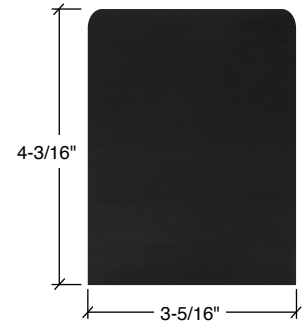


ITEM NO.	DESCRIPTION	FINISH
AEC3BS	End Cap for A3M ACHIEVE® Base Shoe	Brushed Stainless
AEC3PS	End Cap for A3M ACHIEVE® Base Shoe	Polished Stainless
AEC3SA	End Cap for A3M ACHIEVE® Base Shoe	Satin Anodized
AEC3MB	End Cap for A3M ACHIEVE® Base Shoe	Matte Black

Minimum Order: 1 Each.

## FHC End Caps for ACHIEVE® A5M Series Base Shoes

- Fits A5M Series Base Shoe
- Install With CT040 High-Bond Tape or S790BL Silicone (See Page 28)
- Custom End Cap Sizes and Powder Coat Finishes Available, Contact FHC Technical Sales for a Quote



ITEM NO.	DESCRIPTION	FINISH
AEC5BS	End Cap for A5M ACHIEVE® Base Shoe	Brushed Stainless
AEC5PS	End Cap for A5M ACHIEVE® Base Shoe	Polished Stainless
AEC5SA	End Cap for A5M ACHIEVE® Base Shoe	Satin Anodized
AEC5MB	End Cap for A5M ACHIEVE® Base Shoe	Matte Black

Minimum Order: 1 Each.

## FHC ACHIEVE® One Seal Gasket

- Patent Pending Design Allows for Outside Gasket to Be Set Before Glass is Installed
- Same Profile is Used on the Inside and Outside of Shoe
- Made From Silicone Coated Durable Black EPDM Material Available in Two Lengths: 250' and 500' Rolls



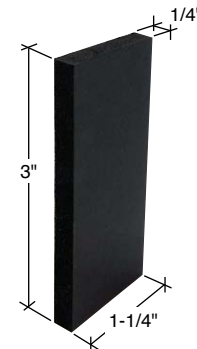
ITEM NO.	ROLL LENGTH
1SGA250	250'
1SGA500	500'

Minimum Order: 1 Roll.

ICC-ES is a registered trademark of ICC Evaluation Service LLC.

## FHC ACHIEVE® Spacer Block With Adhesive

- Used as a Spacer Between Glass Panels
- 100 Per Box



ITEM NO. **SBA7**  
For A1M, A3M, A5M Series Base Shoe

visit [fhc-usa.com](http://fhc-usa.com) to search for

Base Shoe Accessories

Enter the Item Number or scan QR code with your smartphone for complete product details



4361 Firestone Blvd. South Gate, CA 90280  
Toll Free: (888) 295-4531 | Direct: (323) 968-2031  
Fax: (323) 336-8307 | [fhc-usa.com](http://fhc-usa.com)



# FHC Traditional Low Profile Glass Railing System



Supports 1/2" to 9/16" Tempered and Laminated Glass

FHC's Innovative Patent Pending "One Seal" 1SGA Dual Purpose Gasket. Now You Can Pre-Load or Roll-In the Same Gasket (See Page 23)

**Low Profile**

3-1/2" Tall Low Profile Design Solid Aluminum

## FHC T5L Series

### Traditional Low Profile Glass Railing Base Shoe

- FHC's Wet Glazed Aluminum Base Shoe
- Compatible With 1/2" Monolithic and 9/16" Laminated Tempered Glass Applications
- 10' and 20' Stock Lengths Drilled
- Designed for Heavy Glass Railing and Windscreen Applications
- Custom Fabrication Services Available
- 6063-T5 Aluminum Alloy
- FHC's Innovative "One Seal" 1SGM Series Gasket Makes Installations Easy. Installers Can Pre-Load Gasket Before Setting Glass and Use the Same Gasket on the Inside to Finish the Installation

Chat With FHC On Our Website to Get Real Time Expert Support from Knowledgeable Reps



#### T5L SERIES TRADITIONAL LOW PROFILE ALUMINUM BASE SHOE

ITEM NO.	DESCRIPTION
T5LM10D	Bottom Drilled 12" C.T.C. 120" Long
T5LM20D	Bottom Drilled 12" C.T.C. 240" Long
T5LM20	Undrilled 240" Long

Minimum Order: 1 Each. Must Ship Common Carrier.



ITEM NO. **HY270**  
Hilti® Injectable Mortar Adhesive for Use With 9/16" Tempered Laminated Glass



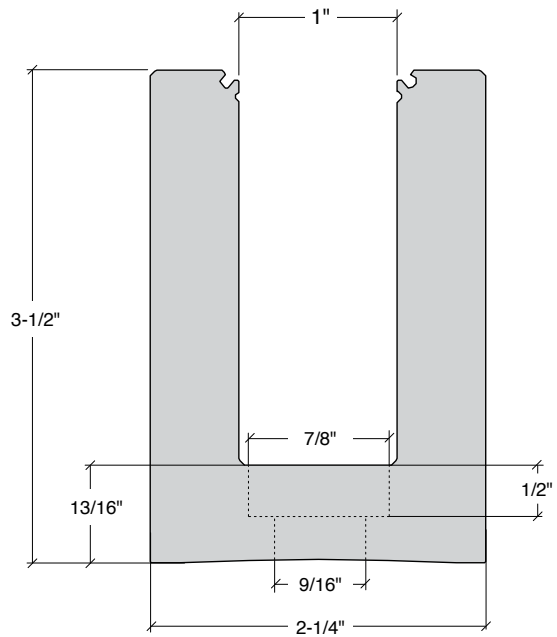
ITEM NO. **KS50**  
Expansion Cement Exterior Grade for Monolithic Glass



ITEM NO. **RK50**  
Expansion Cement Interior Grade for Monolithic Glass



ITEM NO. **BSSB12**  
Base Shoe Setting Block



**D Profile**  
Bottom Drilled and Counterbored 12" on Center and 6" From Each End

ICC-ES is a registered trademark of ICC Evaluation Service LLC.  
Hilti is a registered trademark of Hilti Aktiengesellschaft Corporation.



**THE GLAZING SUPPLY COMPANY**  
EXPERIENCE AND INNOVATION



visit [fhc-usa.com](http://fhc-usa.com) to search for

**Base Shoe**

or enter the Item Number or scan QR code with your smartphone for complete product details

# FHC Traditional Glass Railing System



# FHC T5M Series

## Traditional Base Shoe

- FHC's Wet Glazed Aluminum Base Shoe
- Compatible With 1/2" Monolithic and 9/16" Laminated Tempered Glass Applications
- New Design - 40% Lighter Than Traditional Base Shoes
- 10' and 20' Stock Lengths Drilled or Undrilled
- Designed for Heavy Glass Railing and Windscreen Applications
- Custom Fabrication Services Available
- 6063-T5 Aluminum Alloy
- FHC's Innovative "One Seal" 1SGM Series Gasket Makes Installations Easy. Installers Can Pre-Load Gasket Before Setting Glass and Use the Same Gasket on the Inside to Finish the Installation

### T5M SERIES TRADITIONAL ALUMINUM BASE SHOE

ITEM NO.	DESCRIPTION
T5M10	Undrilled 120" Long
T5M10D	Bottom Drilled 12" C.T.C. 120" Long
T5M10F	Fascia Drilled 12" C.T.C. 120" Long
T5M20	Undrilled 240" Long
T5M20D	Bottom Drilled 12" C.T.C. 240" Long
T5M20F	Fascia Drilled 12" C.T.C. 240" Long

Minimum Order: 1 Each. Must Ship Common Carrier.



ITEM NO. **BSSB12**  
Base Shoe  
Setting Blocks



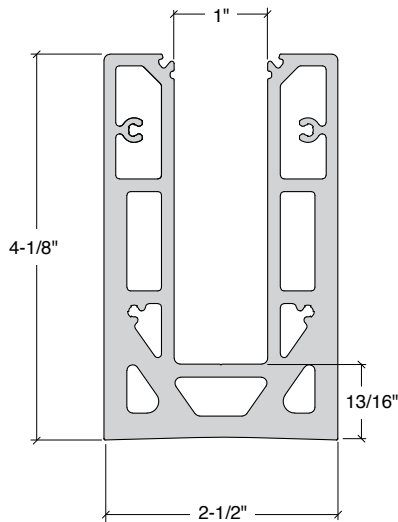
ITEM NO. **HY270**  
Hilti® Injectable Mortar  
Adhesive for Use  
With 9/16" Tempered  
Laminated Glass



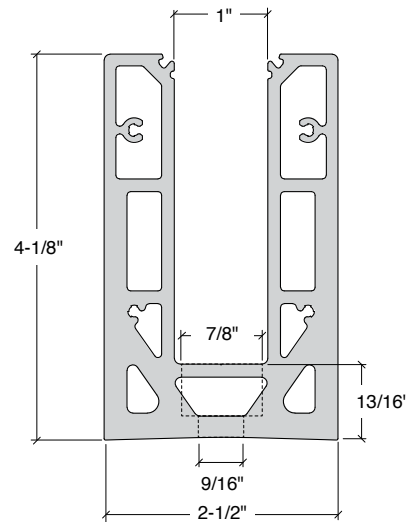
Item No. **KS50**  
Expansion Cement  
Exterior Grade for  
Monolithic Glass



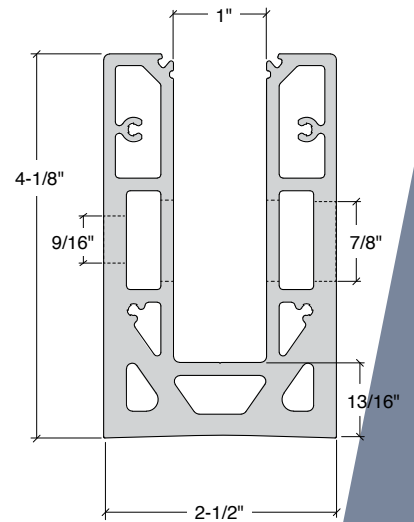
Item No. **RK50**  
Expansion Cement  
Interior Grade for  
Monolithic Glass



**Undrilled Profile**



**D Profile**  
Bottom Drilled and Counterbored  
12" on Center



**F Profile**  
Fascia/Side Drilled and Counterbored  
12" On Center

ICC-ES is a registered trademark of ICC Evaluation Service LLC.  
Hilti is a registered trademark of Hilti Aktiengesellschaft Corporation.

visit [fhc-usa.com](http://fhc-usa.com) to search for

Base Shoe



or enter the Item Number or scan QR code with your smartphone for complete product details



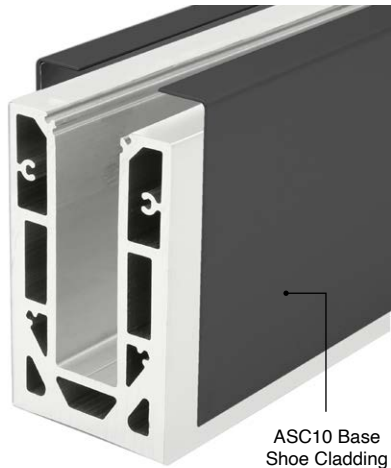
4361 Firestone Blvd. South Gate, CA 90280  
Toll Free: (888) 295-4531 | Direct: (323) 968-2031  
Fax: (323) 336-8307 | [fhc-usa.com](http://fhc-usa.com)



## FHC Traditional Glass Railing System

### FHC Cladding for Traditional Series Base Shoe

- Designed for Use on Traditional Series Base Shoes
- Available in Four Architectural Finishes



ASC10 Base Shoe Cladding Sold Each

#### CLADDING FOR T5M SERIES TRADITIONAL BASE SHOE

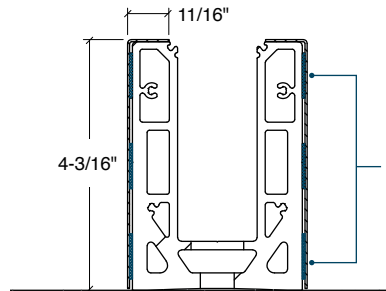
ITEM NO.	LENGTH	FINISH
ASC10BS	120" Long	Brushed Stainless
ASC10PS	120" Long	Polished Stainless
ASC10SA	120" Long	Satin Anodized
ASC10MB	120" Long	Matte Black

Minimum Order: 1 Each. Must Ship Common Carrier.

### FHC Cladding for Traditional Low Profile Base Shoe

- Sold Individually in 120" Lengths
- Installs With CT040 High Bond Tape or S790BL Silicone

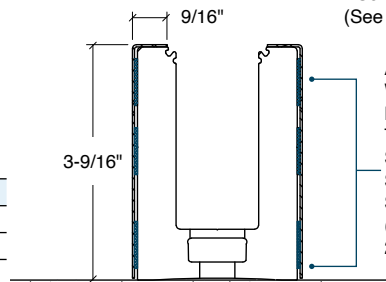
- Custom Fabrication and Powder Coat Services Available Contact FHC Technical Sales for a Quote



FHC T5M Series End View

Adhere With CT040 High-Bond Tape or S790BL Silicone Sealant (See Page 28)

Glass Railing Base Shoe Sold Separately (See Pages 20-21)



FHC T5L Series End View

Adhere With CT040 High-Bond Tape or S790BL Silicone Sealant (See Page 28)



TLC10 Base Shoe Cladding Sold Each

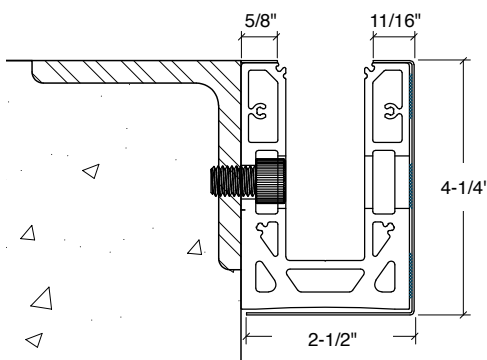
#### CLADDING FOR T5L SERIES TRADITIONAL LOW PROFILE BASE SHOE

ITEM NO.	LENGTH	FINISH
TLC10BS	120" Long	Brushed Stainless
TLC10PS	120" Long	Polished Stainless
TLC10SA	120" Long	Satin Anodized
TLC10MB	120" Long	Matte Black

Minimum Order: 1 Each. Must Ship Common Carrier.

### FHC Fascia Cladding for T5M Traditional Series Base Shoe

- Designed for Use on T5M Traditional Series Base Shoes
- Available in Four Architectural Finishes
- Sold Individually in 120" Lengths
- Installs With CT040 High Bond Tape or S790BL Silicone
- Custom Fabrication and Powder Coat Services Available Contact FHC Technical Sales for a Quote



Inside Fascia Cladding Sold Each



Inside Cladding



Outside Cladding

#### INSIDE CLADDING FOR FASCIA MOUNTED T5M BASE SHOE

ITEM NO.	LENGTH	FINISH
ASC1FBS	120" Long	Brushed Stainless
ASC1FPS	120" Long	Polished Stainless
ASC1FSA	120" Long	Satin Anodized
ASC1FMB	120" Long	Matte Black

Minimum Order: 1 Each. Must Ship Common Carrier.

#### OUTSIDE CLADDING FOR FASCIA MOUNTED T5M BASE SHOE

ITEM NO.	LENGTH	FINISH
TS50FBS	120" Long	Brushed Stainless
TS50FPS	120" Long	Polished Stainless
TS50FSA	120" Long	Satin Anodized
TS50FMB	120" Long	Matte Black

Minimum Order: 1 Each. Must Ship Common Carrier.

Outside Fascia Cladding Sold Each



THE GLAZING SUPPLY COMPANY  
EXPERIENCE AND INNOVATION



visit [fhc-usa.com](http://fhc-usa.com) to search for

Base Shoe



Enter the Item Number or scan QR code with your smartphone for complete product details

# FHC Traditional Glass Railing System



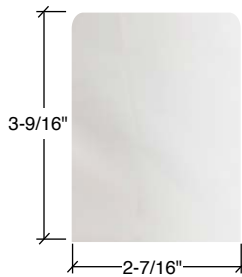
Chat With FHC On Our Website to Get Real Time Expert Support from Knowledgeable Reps

Chat With Us!



## FHC End Caps for Traditional Low Profile T5LM Series Base Shoes

- Fits T5LM Low Profile Series Base Shoe
- Install With CT040 High-Bond Tape or S790BL Silicone (See Page 28)
- Custom End Cap Sizes and Powder Coat Finishes Available, Contact FHC Technical Sales for a Quote
- 304 Alloy

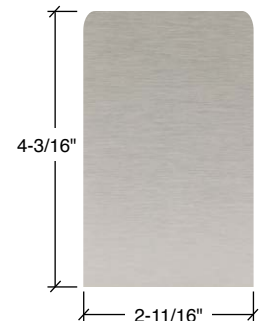


ITEM NO.	DESCRIPTION	FINISH
TL5ECBS	End Cap for T5LM Low Profile Series Base Shoe	Brushed Stainless
TL5ECPS	End Cap for T5LM Low Profile Series Base Shoe	Polished Stainless
TL5ECSA	End Cap for T5LM Low Profile Series Base Shoe	Satin Anodized
TL5ECMB	End Cap for T5LM Low Profile Series Base Shoe	Matte Black

Minimum Order: 1 Each.

## FHC End Caps for Traditional T5M Series Base Shoes

- Fits T5M Series Base Shoe
- Install With CT040 High-Bond Tape or S790BL Silicone (See Page 28)
- Custom End Cap Sizes and Powder Coat Finishes Available, Contact FHC Technical Sales for a Quote
- 304 Alloy



ITEM NO.	DESCRIPTION	FINISH
TS5ECBS	End Cap for T5M Traditional Base Shoe	Brushed Stainless
TS5ECPS	End Cap for T5M Traditional Base Shoe	Polished Stainless
TS5ECSA	End Cap for T5M Traditional Base Shoe	Satin Anodized
TS5ECMB	End Cap for T5M Traditional Base Shoe	Matte Black

Minimum Order: 1 Each.

## FHC Traditional Series One Seal Gasket

- Patent Pending Design Allows for Outside Gasket to Be Set Before Glass is Installed
- Same Profile is Used on the Inside and Outside of Shoe
- Made From Silicone Coated Durable Black EPDM Material Available in Two Lengths: 250' and 500' Rolls

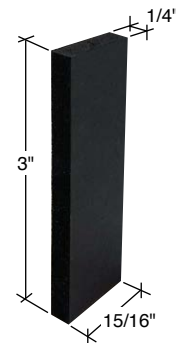


ITEM NO.	ROLL LENGTH
1SGM250	250'
1SGM500	500'

Minimum Order: 1 Roll.

## FHC Traditional Spacer Block With Adhesive

- Used as a Spacer Between Glass Panels
- 100 Per Box



ITEM NO. **SBA5**  
For T5M Series Base Shoe

visit [fhc-usa.com](http://fhc-usa.com) to search for

Base Shoe Accessories



Enter the Item Number or scan QR code with your smartphone for complete product details



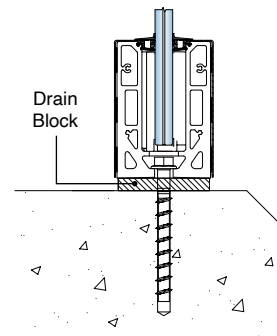
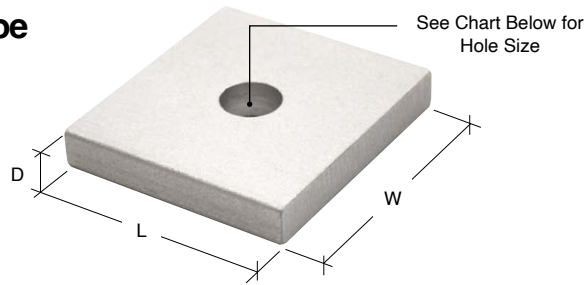
4361 Firestone Blvd. South Gate, CA 90280  
Toll Free: (888) 295-4531 | Direct: (323) 968-2031  
Fax: (323) 336-8307 | [fhc-usa.com](http://fhc-usa.com)



## FHC FGR Frameless Glass Railing System

### FHC Surface Mount Base Shoe Drain Blocks

- 3/8" Thick Provides Drainage Space Underneath Base Shoe
- Ideal For Exterior Base Shoe Installations, Like Balconies and Decks
- For Surface Mount Installations
- Clear Anodized Aluminum Finish
- 10 Per Package



Surface Mount Drain Block

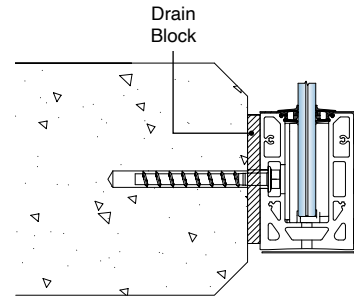
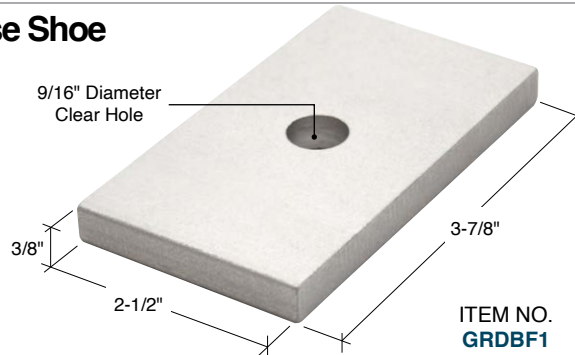
#### BASE SHOE DRAIN BLOCKS

ITEM NO.	DESCRIPTION	SIZE	HOLE SIZE
GRDB1	Use With T5LM and T5M Series Base Shoe	2-1/2" L x 2-1/4" W x 3/8" D	9/16"
GRDB2	Use With A1M Series Base Shoe	2-3/4" L x 2-1/2" W x 3/8" D	9/16"
GRDB3	Use With A3M and A5M Series Base Shoe	3" L x 3-1/4" W x 3/8" D	3/4"

Minimum Order: 1 Pack.

### FHC Fascia Mount Base Shoe Drain Blocks

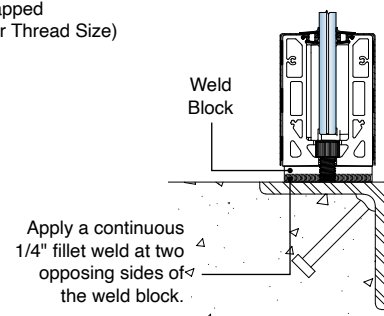
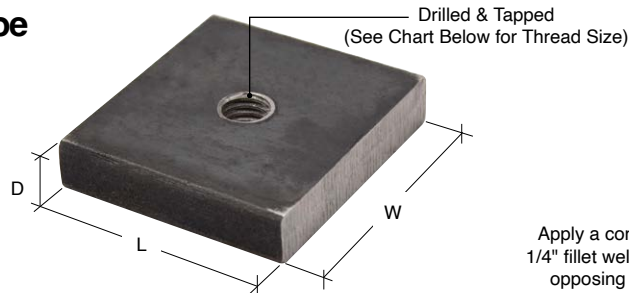
- Used With Fascia Mounted Base Shoe Installations
- Works With T5M, A1M, A3M & A5M Series Base Shoe
- 3/8" Thick Allows for Drainage Between Shoe and Fascia
- Clear Anodized Finish
- For Use With Traditional and ACHIEVE® Series Base Shoes
- 10 Per Package



Fascia Mount Drain Block

### FHC Surface Mount Base Shoe Weld Blocks

- 1/2" Thick Steel Ready to Weld
- For Surface Mount Installations
- Pre-Drilled and Tapped
- Eliminates the Need to Drill and Tap in the Field
- To Be Welded to Steel Stringers, Steel Channels or Steel Embeds
- 10 Per Package



Surface Mount Weld Block

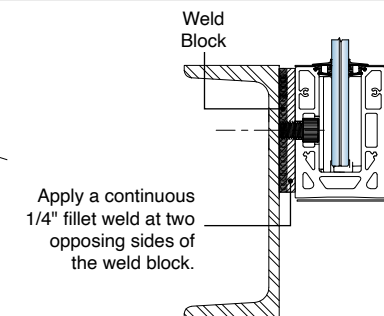
#### BASE SHOE WELD BLOCKS

ITEM NO.	DESCRIPTION	SIZE	THREAD SIZE
GRWB1	Use With T5LM and T5M Series Base Shoe	2-1/2" L x 2-1/4" W x 1/2" D	1/2"-13
GRWB2	Use With A1M Series Base Shoe	2-3/4" L x 2-1/2" W x 1/2" D	1/2"-13
GRWB3	Use With A3M and A5M Series Base Shoe	3" L x 3-1/4" W x 1/2" D	M14 x 2.0

Minimum Order: 1 Pack.

### FHC Fascia Mount Base Shoe Weld Blocks

- Used With Fascia Mounted Base Shoe Installations
- Works With T5M, A1M, A3M, and A5M Series Base Shoes
- 1/2" Thick Steel
- Drilled and Tapped for 1/2"-13 Bolt (SHS12X34)
- Designed to be Welded to Steel Stringers, Steel Channels or Steel Embeds
- 10 Per Package



Fascia Mount Weld Block



THE GLAZING SUPPLY COMPANY  
EXPERIENCE AND INNOVATION



visit [fhc-usa.com](http://fhc-usa.com) to search for

Base Shoe Blocks

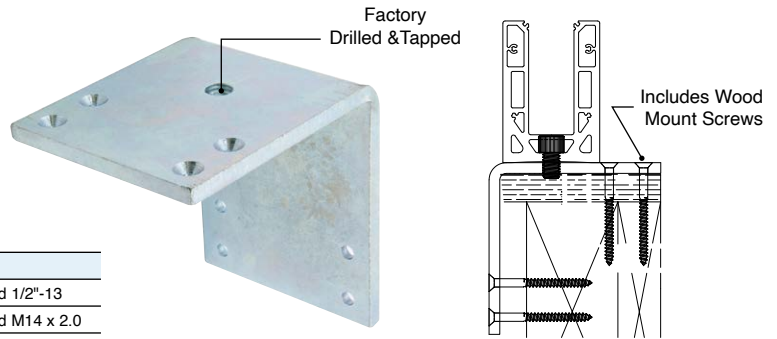
Enter the Item Number or scan QR code with your smartphone for complete product details



# FHC FGR Frameless Glass Railing System

## FHC Base Shoe Wood Mount Angles

- Designed to Mount Base Shoe to a Wood Substrate
- 5/16" Thick Zinc Plated Steel
- Threaded to Accept Base Shoe Bolts
- Countersunk for (8) #14 x 3" Wood Screws per Plate
- Packaged (10) Angles and (80) Screws Per Box



### BASE SHOE WOOD MOUNT ANGLES

ITEM NO.	DESCRIPTION	HOLE SIZE
GRWA1	Use With T5LM, T5M & A1M Series Base Shoe	Drilled & Tapped 1/2"-13
GRWA2	Use With A3M & A5M Series Base Shoe	Drilled & Tapped M14 x 2.0

Minimum Order: 1 Box.

## Hilti® Kwik HUS-EZ Screw Anchor

- Carbon Steel
- Time-Saving and Easy to Install
- Fully-Removable Screw Anchoring Solution
- For Installing Interior Railings
- 25 or 50 Per Pack



ITEM NO.	SIZE	QUANTITY
HSA38X4	3/8" x 4"	50
HSA12X4	1/2" x 4"	25

Minimum Order: 1 Pack.

## Hilti® KH-EZ CRC Galvanized Screw Anchor

- Mechanically Galvanized for Exterior Applications
- Used to Attach Railings and Guardrails
- 25 or 50 Per Pack

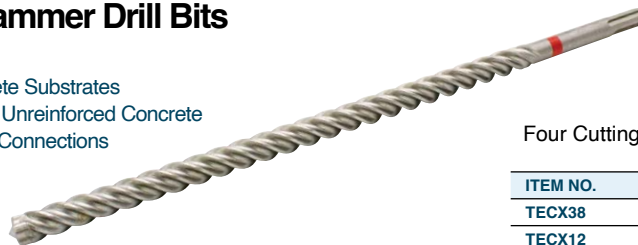


ITEM NO.	SIZE	QUANTITY
CRC38X4	3/8" x 4"	50
CRC12X4	1/2" x 4"	25

Minimum Order: 1 Pack.

## Hilti® TE-CX Carbide Head Hammer Drill Bits

- Concrete and Masonry Drill Bit
- Great for Installing Glass Railings into Concrete Substrates
- Used to Drill Anchor Holes in Reinforced and Unreinforced Concrete
- Can Also Drill Holes for Post-Installed Rebar Connections
- Tungsten Carbide Head
- 10" Working Length; 12" Overall Length
- Two Sizes Available



Four Cutting Edges

ITEM NO.	SIZE
TECX38	3/8" x 12"
TECX12	1/2" x 12"

Minimum Order: 1 Each.

## FHC Socket Head Cap Screws

- 1/2"-13 Thread Size
- 304 Alloy Stainless Steel
- Works With GRWB1, GRWB2, and GRWBF1 Weld Blocks
- Use With ACHIEVE® and Traditional Series Base Shoe When Attaching to Steel
- 10 Per Pack



ITEM NO.	LENGTH
SHS12X34	3/4" Long
SHS12X1	1" Long
SHS12X114	1-1/4" Long
SHS12X112	1-1/2" Long

Minimum Order: 1 Pack.

## FHC Stainless Steel Hex Head Screws

- M14-20 Thread Size
- 18-8 Stainless Steel
- Works With GRWB3 Weld Blocks
- Use With A3M & A5M ACHIEVE® Base Shoe When Surface Mounting to Steel
- Works With SW14X34 Washer
- 10 Per Pack



ITEM NO.	LENGTH
HXHM14X34	20 mm Long
HXHM14X1	25 mm Long
HXHM14X114	30 mm Long
HXHM14X112	35 mm Long

Minimum Order: 1 Pack.

## FHC Stainless Steel Washer

- 28 mm O.D.
- Stainless Steel Washer
- For Use With HXHM14 Series Hex Head Screws
- 10 Per Pack



ITEM NO. SW14X34

visit [fhc-usa.com](http://fhc-usa.com) to search for

Base Shoe Accessories

Enter the Item Number or scan QR code with your smartphone for complete product details



4361 Firestone Blvd. South Gate, CA 90280  
 Toll Free: (888) 295-4531 | Direct: (323) 968-2031  
 Fax: (323) 336-8307 | [fhc-usa.com](http://fhc-usa.com)



## FHC FGR Frameless Glass Railing System

### FHC Deep Sockets

- Six Point
- Available In Three Sizes



ITEM NO.	DEPTH	LENGTH	USE WITH
916DS	9/16"	2-1/2" Long	Use With 3/8" CRC38X4 & HSA38X4
34DS	3/4"	2-1/2" Long	Use With 1/2" CRC12X4 & HSA12X4
22MMDS	22 mm	2-3/4" Long	Use With M14 HXHM14X34 Series

Minimum Order: 1 Each.

### FHC 3/8" Hex Bit Socket

- 2-3/4" Overall Length
- 3/8" Square Drive
- Use With 1/2"-13 " Socket Head Cap Screws (See Page 25)



ITEM NO. 38HBS  
Minimum Order 1 Each

### FHC 3/8" Drive Socket Adapter

- 2" long
- 3/8" Square Drive
- 1/4" Hex Shank



ITEM NO. 38X2SA  
Minimum Order 1 Each

### FHC 3/8" Drive Socket Extension

- 3" Long
- 3/8" Square Drive



ITEM NO. 38X3EXT  
Minimum Order 1 Each

### FHC Step Drill Bit for Drill Press

- Available In Two Sizes
- 3/4" Shank
- Three Fluted Carbide Tip



ITEM NO.	DESCRIPTION
BSD916	9/16" Clear Hole with 7/8" Counter Bore
BSD1316	13/16" Clear Hole with 1-1/4" Counter Bore

Minimum Order: 1 Each.

### FHC Suction Cup with Spirit Levels

- Two Spirit Levels Allow for Easier and Faster Glass Panel Positioning
- Ideal for All-Glass Shower Doors, Glass Railings, Windscreens and Glass Partition Installations
- Easily Attaches to Glass, Metal, and Wood Nonporous Smooth Flat Surfaces
- 3-1/4" Diameter Suction Cup
- Manufactured From Durable Engineered Polymer



**NEW**

ITEM NO. VCL325  
Minimum Order: 1 Each.



THE GLAZING SUPPLY COMPANY  
EXPERIENCE AND INNOVATION



visit [fhc-usa.com](http://fhc-usa.com) to search for

Railing Tools



Enter the Item Number or scan QR code with your smartphone for complete product details

# FHC FGR Frameless Glass Railing System

## FHC Roller Tools

- Great for Roll-In Gaskets and Glazing Vinyl In Base Shoe
- Manufactured With a Precision Bearing and Nylon Wheel
- Knurled Non-Slip Hand Grip
- 11" and 17" Long Heavy-Duty Multi-Use Roller Tools

**BEST SELLER**

ITEM NO. **VRT10**  
11" Polymer Handle  
Minimum Order 1 Each



ITEM NO. **VRT17**  
17" Extra Long Aluminum Handle  
Minimum Order 1 Each



## FHC Glass Staging Position Pads

- Two Sizes Available
- Used to Set Glass During Installation to Prevent Damage
- Heavy-Duty 80 Durometer
- Sold in Pairs



ITEM NO.	SIZE
GRPAD8	4" x 8" x 1"
GRPAD12	12" x 12" x 1"

Minimum Order: 1 Pair.



## FHC 2 Lb. Dead Blow Hammer

- Dead Blow Impact With Minimal Vibration and Rebound
- Textured Grip Reduces Slippage Risk and Decreased Arm Fatigue



ITEM NO. **DBH2**  
Minimum Order 1 Each

## FHC ACHIEVE® Glass Rail Setting Tool

- Setting Tool Temporarily Holds Glass While ACHIEVE® Shims are Installed



ITEM NO. **FGRST1**  
Minimum Order 1 Each

visit [fhc-usa.com](http://fhc-usa.com) to search for

Railing Tools



Enter the Item Number or scan QR code with your smartphone for complete product details



4361 Firestone Blvd. South Gate, CA 90280  
Toll Free: (888) 295-4531 | Direct: (323) 968-2031  
Fax: (323) 336-8307 | [fhc-usa.com](http://fhc-usa.com)



## FHC FGR Frameless Glass Railing System

### FHC S790 Neutral Cure Building Silicone Sealant

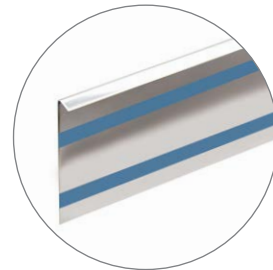
- Excellent Primerless Adhesion
- Waterproofing Applications
- Plus/Minus 50% Joint Width Movement
- Interior / Exterior Use, Black Color
- Long Tooling Time
- AAMA Approved Neutral Cure Silicone Sealant - Non Paintable
- 20 Year Limited Warranty



ITEM NO. **S790BL**  
Minimum Order :1 Each  
Case Quantity: 30 Each

### FHC Very High-Bond Adhesive Acrylic Tape .043" X 3/4" X 108"

- Wide Variety of Uses
- Double Sided Adhesive
- Gray Color
- Use to Install Cladding on Base Shoes and Architectural Metal Applications



ITEM NO. **CT040**  
Minimum Order: 1 Roll

### Hilti® HIT-HY270 Injectable Mortar Adhesive for Glass Railings

- Compatible With Laminated Glass
- High Quality Strength Mortar Adhesive
- 12 Month Shelf Life From Production Date
- Replacement Plastic Mixing Nozzle Item No. HY270MT



ITEM NO. **HY270**  
Minimum Order: 1 Each

### Hilti® HDM 500 Manual Dispenser With HIT-CB500 Cartridge

- Fast, Easy Foil Pack Loading
- Highly Resistant to Tough Jobsite Conditions
- High Efficiency Even at Low Temperatures
- Minimal Mortar Dripping After Pressure Release
- Well Balanced for Better Handling



ITEM NO. **HDM500**  
Minimum Order: 1 Each

ITEM NO. **HY270MT**  
Hilti HY-RE Plastic Mixing Nozzle  
Minimum Order: 1 Each

Hilti is a registered trademark of Hilti Aktiengesellschaft Corporation.



**THE GLAZING SUPPLY COMPANY**  
EXPERIENCE AND INNOVATION



visit [fhc-usa.com](http://fhc-usa.com) to search for

**Railing Tools**



Enter the Item Number or scan QR code with your smartphone for complete product details

## FHC FGR Frameless Glass Railing System

### FHC Kwixset Weather Proof Expansion Cement

- Great For Setting Posts and Base Shoe
- Exceptional Bonding and Strength Qualities
- Not Recommended For Use With Laminated Glass



ITEM NO.	SIZE
KS25	25 Lbs.
KS50	50 Lbs.

Minimum Order: 1 Each.

### FHC Rockite Weather Expansion Cement

- Fast Setting 15 to 20 Minute Cure Time
- Light Gray Color Hydraulic Cement That Expands As It Sets
- Will Not Shrink or Crack
- Not Recommended For Use With Laminated Glass



ITEM NO.	SIZE
RK10	10 Lbs.
RK50	50 Lbs.

Minimum Order: 1 Each.

### FHC Bituminous Substrate Primer

- Perfect for Creating a Barrier Between Railing Hardware and Substrate
- Used to Prime Concrete, Wood, and Metal Surfaces
- Prevents Electrolysis Between Dissimilar Metals and Concrete Corrosion
- 3 Gallon Pail



ITEM NO. **B3GL**  
Minimum Order: 1 Each

### FHC 5 Gallon Black Bucket/Pail

- Great Job Site Work Bucket
- Large Capacity 5-Gallon Size
- Rigid HDPE Plastic Construction
- Features FHC's "The Glazing Supply Company" Logo
- Great for Hauling Parts
- Steel Wire Handle With Plastic Grip
- Maximum Recommended Lifting Weight 84 lbs.
- Lid Not Included



ITEM NO. **B5G**  
Minimum Order: 1 Each

### FHC Grout/Cement Bag

- White Vinyl Grout Bag With Rubber Tip
- Great For Dispensing Hydraulic Cement Into Base Shoe



ITEM NO. **GBAG1**  
Minimum Order 1 Each

### FHC 32 Oz. Single Nozzle Squeeze Bottle

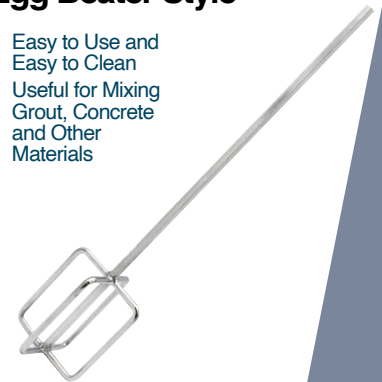
- 32 oz Squeeze Bottle for Expansion Cement
- Ideal for Use with Kwixset and Rockite Expansion Cement
- Also Used for Self-Leveling Caulking Applications
- Reusable



ITEM NO. **SQZBTL32**  
Minimum Order 1 Each

### FHC Sealant Mixing Paddle Egg Beater Style

- Easy to Use and Easy to Clean
- Useful for Mixing Grout, Concrete and Other Materials



ITEM NO. **MXEB1**  
Minimum Order 1 Each

visit [fhc-usa.com](http://fhc-usa.com) to search for

Railing Tools



Enter the Item Number or scan QR code with your smartphone for complete product details



4361 Firestone Blvd. South Gate, CA 90280  
Toll Free: (888) 295-4531 | Direct: (323) 968-2031  
Fax: (323) 336-8307 | [fhc-usa.com](http://fhc-usa.com)



# FHC Aluminum Smoke Baffle

- Used to Create Unobtrusive Smoke Barriers or Mechanically Fastened Glass Transoms
- Helps Confine Smoke to a Specific Area
- Required to Meet Building Codes in Some Regions
- Used with 1/2" or 9/16" Tempered Glass
- 120" Long Stock Lengths
- Requires 3/4" Diameter Holes in Glass For Pinning, 12" on Center
- FHC Smoke Baffle Includes Pinning Bolts, Nylon Grommets, Roll-In Gaskets and a Rigid Vinyl Glass Protective Insert
- Cladding and End Caps Sold Separately
- Custom Smoke Baffles Available Upon Request

**NEW**



Cladding and End Caps Sold Separately



Silicone Applied End Cap

Item No. **SB12C10**  
120" Long Aluminum Smoke Baffle - Mill Aluminum  
Minimum Order: 1 Each

#### 120" LONG CLADDING FOR SMOKE BAFFLE

ITEM NO.	FINISH
<b>SBC1BS</b>	Brushed Stainless
<b>SBC1PS</b>	Polished Stainless
<b>SBC1SA</b>	Satin Anodized
<b>SBC1MB</b>	Matte Black
<b>SBC1DU</b>	Dark Bronze Anodized
<b>SBC1PB</b>	Polished Brass

Minimum Order: 1 Each.

#### END CAPS FOR SMOKE BAFFLE

ITEM NO.	FINISH
<b>SBECBS</b>	Brushed Stainless
<b>SBECPS</b>	Polished Stainless
<b>SBECSA</b>	Satin Anodized
<b>SBECSMB</b>	Matte Black
<b>SBECSDU</b>	Dark Bronze Anodized
<b>SBECSPB</b>	Polished Brass

Minimum Order: 1 Each.

## Replacement Parts



Item No. **CR12PV**  
Rigid Vinyl Glass Protective Insert One (1) at 120"



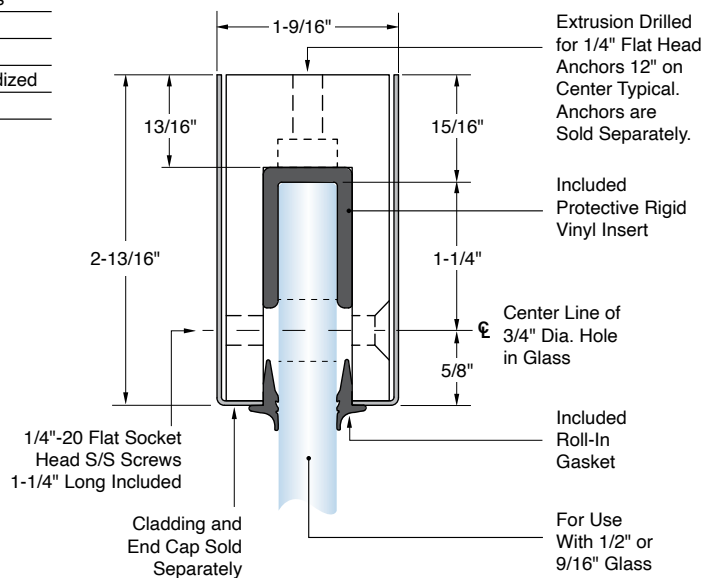
Item No. **12R1G100**  
Roll-In Gaskets Two (2) at 120"



Item No. **P1NBLTG10**  
Ten (10) Pinning Bolts and Ten (10) Nylon Grommets

Chat With FHC On Our Website to Get Real Time Expert Support from Knowledgeable Reps

Chat With Us!



**FHC**<sup>®</sup>  
FRAMELESS HARDWARE COMPANY

THE GLAZING SUPPLY COMPANY  
EXPERIENCE AND INNOVATION



visit [fhc-usa.com](http://fhc-usa.com) to search for

Smoke Baffle



Enter the Item Number or scan QR code with your smartphone for complete product details



PROFESSIONAL GRADE

## Section 2

FHC FRAMELESS GLASS RAILING CAP RAILS,  
GASKETS & ACCESSORIES

Pages 31 to 54

- FHC Stainless Steel Round & Square Roll Formed Cap Rail Systems
- FHC Stainless Steel Round & Square Roll Formed End Caps
- FHC Stainless Steel V-Cut 11 Gauge Cap Rail Systems
- FHC Stainless Steel V-Cut 11 Gauge End Caps
- FHC Aluminum Round & Square Cap Rail Systems
- FHC Edge Protector Cap Rail
- FHC Railing Customization Services

Chat With FHC On Our Website  
to Get Real Time Expert Support  
from Knowledgeable Reps

Chat With Us!



ICC-ES is a registered trademark of ICC Evaluation Service LLC.

**THE GLAZING SUPPLY COMPANY**  
EXPERIENCE AND INNOVATION

4361 Firestone Blvd. South Gate, CA 90280  
Toll Free: (888) 295-4531 | Direct: (323) 968-2031  
Fax: (323) 336-8307 | fhc-usa.com

**FHC**  
FRAMELESS HARDWARE COMPANY

# FHC Cap Rail Systems

FHC Offers a Complete Line of Cap Rails in various shapes and sizes. Made of stainless steel, or aluminum profile in several architectural finishes. Designed for both exterior and interior installations, with a complete line of accessory parts and professional tools to ensure your project is complete within the least amount of time. If your project demands custom Cap Rails, we have the designers and engineers to assist. Please contact **FHC Business Development** for more information at **(888) 295-4531** or email at **railings@fhc-usa.com**.

- For Glass Thickness 1/2", 9/16", 5/8", 11/16", 3/4" and 13/16"
- Round, Square, and Rectangular Profiles
- Made of Stainless Steel or Aluminum
- Full Line of Accessory Items
- Design and Installation Assistance
- Stock and Custom Sizes or Shapes Available

Chat With FHC On Our Website  
to Get Real Time Expert Support  
from Knowledgeable Reps

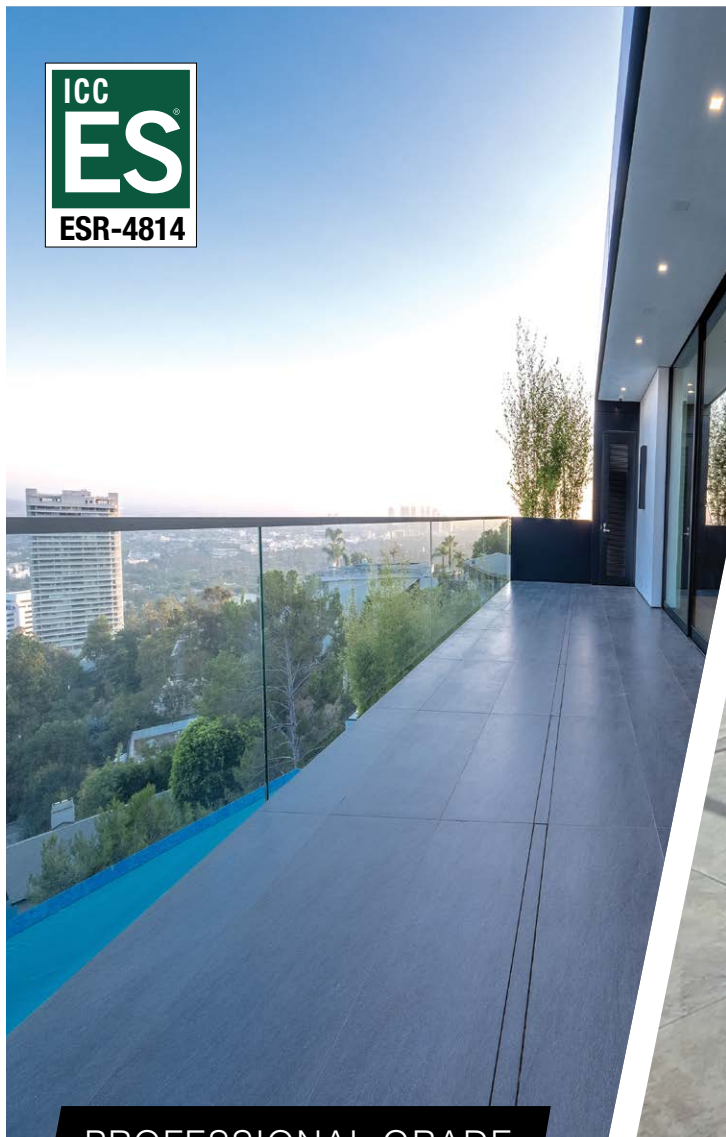
Chat With Us!



CSI DIVISION 05

SECTION

05 7300



PROFESSIONAL GRADE

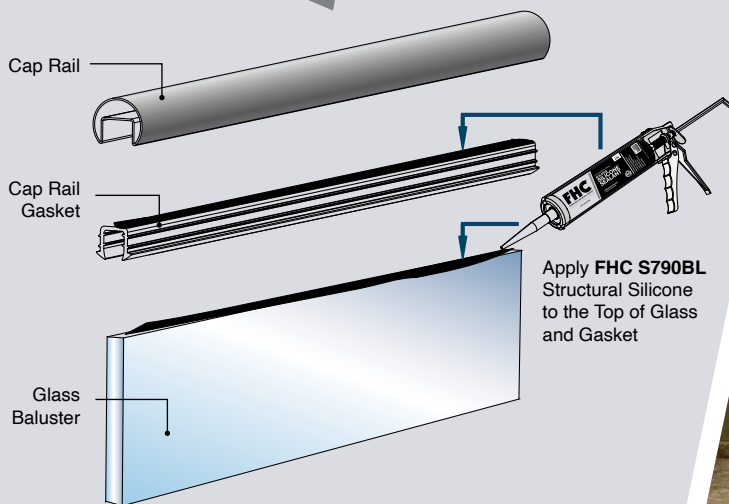
## FHC Cap Rail Typical Installation

Cap Rails, (also called Guards or Top Rails) are usually required on elevated glass balusters that present a falling hazard. Examples include stairs, balconies, and elevated walkways.

Exceptions may be found in the ICC-ES Evaluation Report ESR-4814 for the ACHIEVE® Frameless Glass Railing System located in the Appendices of this document.

Cap Rails add stability to segmented glass panels and protect the top glass edge from chipping or breaking.

IBC and IRC both require all Cap Rails to be at least 42" above the finished floor and span at least three glass panels if possible.



ICC-ES is a registered trademark of ICC Evaluation Service LLC.



THE GLAZING SUPPLY COMPANY  
EXPERIENCE AND INNOVATION



visit [fhc-usa.com](http://fhc-usa.com) to search for

Cap Rail



Enter the Item Number or scan QR code with your smartphone for complete product details





**FHC** **ACHIEVE**<sup>®</sup>  
FGR FRAMELESS GLASS RAILINGS



visit [fhc-usa.com](http://fhc-usa.com) to search for

**Cap Rail**



Enter the Item Number or scan QR code with your smartphone for complete product details



4361 Firestone Blvd. South Gate, CA 90280  
Toll Free: (888) 295-4531 | Direct: (323) 968-2031  
Fax: (323) 336-8307 | [fhc-usa.com](http://fhc-usa.com)

**FHC**<sup>®</sup>  
FRAMELESS HARDWARE COMPANY

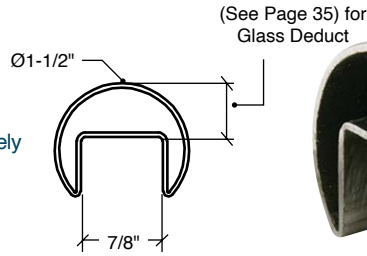
## FHC Stainless Steel Cap Rails

### FHC 1-1/2" Diameter Roll Formed Cap Rail

- For 1/2", 9/16", 11/16" or 3/4" Glass
- 316 Alloy
- 1-1/2" Outside Diameter
- 236" Stock Lengths
- Available in Two Architectural Finishes, Plus Powder Coat
- Rubber Gasket, End Caps, Corners, and Sleeves Sold Separately
- Custom Fabrication Available, Contact FHC Technical Sales for More Information

ITEM NO.	LENGTH	FINISH
RC15BS	236"	Brushed Stainless
RC15PS	236"	Polished Stainless

Minimum Order: 1 Each. Must Ship Common Carrier.

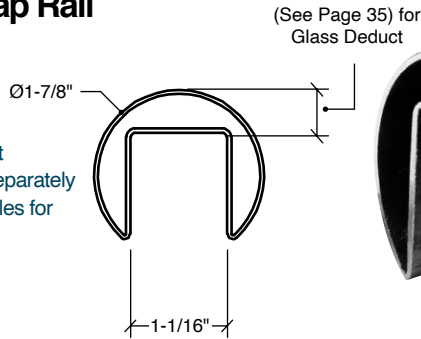


### FHC 1-7/8" Diameter Roll Formed Cap Rail

- 316 Alloy
- 1-7/8" Outside Diameter
- 236" Stock Lengths
- For 1/2", 9/16", 11/16", 3/4" or 13/16" Glass
- Available in Two Architectural Finishes, Plus Powder Coat
- Rubber Gasket, End Caps, Corners, and Sleeves Sold Separately
- Custom Fabrication Available, Contact FHC Technical Sales for More Information

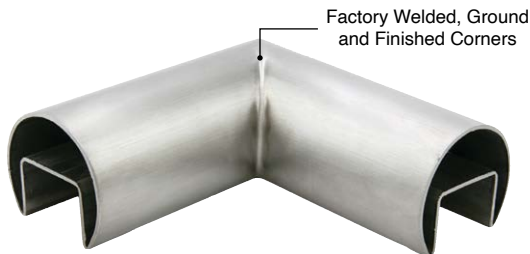
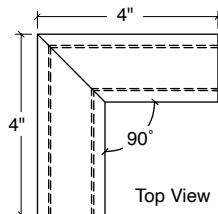
ITEM NO.	LENGTH	FINISH
RC20BS	236"	Brushed Stainless
RC20PS	236"	Polished Stainless

Minimum Order: 1 Each. Must Ship Common Carrier.



### FHC 90 Degree Horizontal Roll Formed Cap Rail Corner

- 90 Degree Horizontal Corner
- 316 Alloy
- Install With Two Connector Sleeves
- Adhere With LT32629 Cement and LT7649 Primer (See Pg. 53)
- Custom Fabrication Services Available. Contact FHC Technical Sales for a Quote



FOR RC15 1-1/2" DIAMETER CAP RAIL

ITEM NO.	FINISH
RC15HBS	Brushed Stainless
RC15HPS	Polished Stainless

Minimum Order: 1 Each.

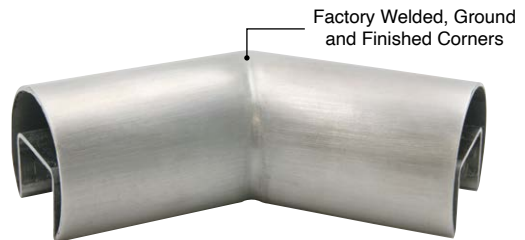
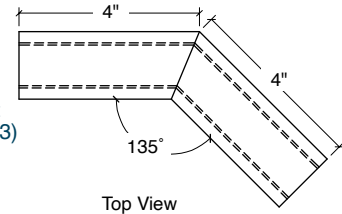
FOR RC20 1-7/8" DIAMETER CAP RAIL

ITEM NO.	FINISH
RC20HBS	Brushed Stainless
RC20HPS	Polished Stainless

Minimum Order: 1 Each.

### FHC 135 Degree Horizontal Roll Formed Cap Rail Corner

- 135 Degree Horizontal Corner
- 316 Alloy
- Install With Two Connector Sleeves
- Adhere With LT32629 Cement and LT7649 Primer (See Pg. 53)
- Custom Fabrication Services Available. Contact FHC Technical Sales for a Quote



FOR RC15 1-1/2" DIAMETER CAP RAIL

ITEM NO.	FINISH
RC15H3BS	Brushed Stainless
RC15H3PS	Polished Stainless

Minimum Order: 1 Each.

FOR RC20 1-7/8" DIAMETER CAP RAIL

ITEM NO.	FINISH
RC20H3BS	Brushed Stainless
RC20H3PS	Polished Stainless

Minimum Order: 1 Each.

ICC-ES is a registered trademark of ICC Evaluation Service LLC.



THE GLAZING SUPPLY COMPANY  
EXPERIENCE AND INNOVATION



visit [fhc-usa.com](http://fhc-usa.com) to search for

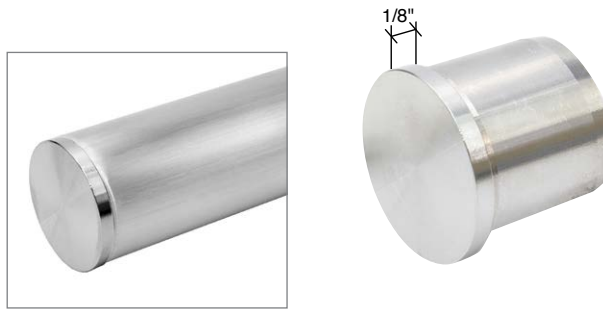
Cap Rail

Enter the Item Number or scan QR code with your smartphone for complete product details

## FHC Stainless Steel Cap Rails

### FHC Flat End Caps for Roll Formed Cap Rails

- 316 Alloy
- Adhere With LT32629 Cement and LT7649 Primer (See Page 53)



#### FOR RC15 1-1/2" DIAMETER CAP RAIL

ITEM NO.	FINISH
RC15ECBS	Brushed Stainless
RC15ECPS	Polished Stainless

Minimum Order: 1 Each.

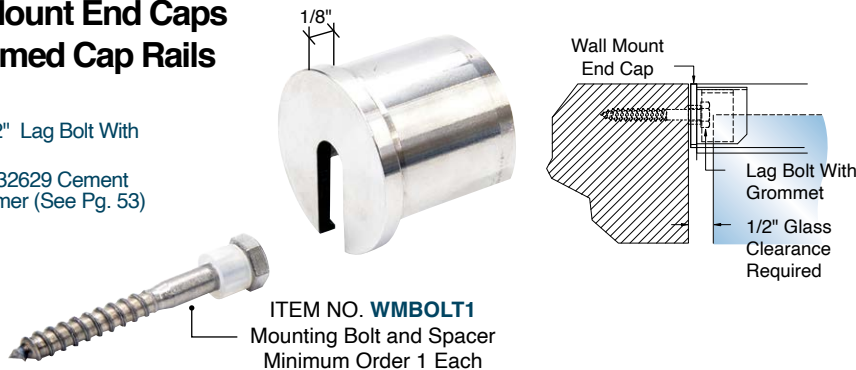
#### FOR RC20 1-7/8" DIAMETER CAP RAIL

ITEM NO.	FINISH
RC20ECBS	Brushed Stainless
RC20ECPS	Polished Stainless

Minimum Order: 1 Each.

### FHC Wall Mount End Caps for Roll Formed Cap Rails

- 316 Alloy
- Includes 1/4" x 2" Lag Bolt With Grommet
- Adhere With LT32629 Cement and LT7649 Primer (See Pg. 53)



#### FOR RC15 1-1/2" DIAMETER CAP RAIL

ITEM NO.	FINISH
RC15WCBS	Brushed Stainless
RC15WCPS	Polished Stainless

Minimum Order: 1 Each.

#### FOR RC20 1-7/8" DIAMETER CAP RAIL

ITEM NO.	FINISH
RC20WCBS	Brushed Stainless
RC20WCPS	Polished Stainless

Minimum Order: 1 Each.

### FHC Roll Formed Cap Rail Connector Sleeves

- 5" Long Used To Connect and Align Two Pieces of Cap Rail
- For Use With RC15 Cap Rail
- Adhere With LT32629 Cement and LT7649 Primer (See Pg. 53)
- Mill Stainless Steel
- 316 Alloy

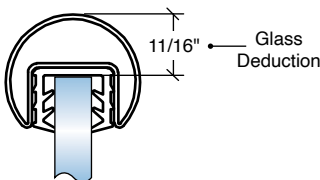


ITEM NO.	DESCRIPTION
RC15CSS	For 1-1/2" Dia. Cap Rail
RC20CSS	For 1-7/8" Dia. Cap Rail

Minimum Order: 1 Each.

### FHC Rubber Gasket for RC15 Cap Rail

- Securely Attaches Glass to Cap Rail
- 20' Length
- High Quality EPDM Rubber

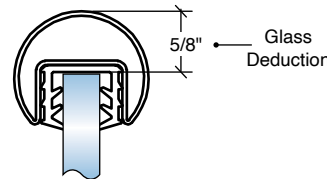


ITEM NO.	DESCRIPTION
CRV6RL	For 1/2", 9/16" and 5/8" Glass
CRV7RL	For 11/16" and 3/4" Glass

Minimum Order: 1 Roll.

### FHC Rubber Gasket for RC20 Cap Rail

- Securely Attaches Glass to Cap Rail
- 20' Length
- High Quality EPDM Rubber



ITEM NO.	DESCRIPTION
CRV3RL	For 1/2", 9/16" and 5/8" Glass
CRV4RL	For 11/16" and 3/4" Glass
CRV5RL	For 13/16" Glass

Minimum Order: 1 Roll.

visit [fhc-usa.com](http://fhc-usa.com) to search for

Cap Rail



Enter the Item Number or scan QR code with your smartphone for complete product details



4361 Firestone Blvd. South Gate, CA 90280  
 Toll Free: (888) 295-4531 | Direct: (323) 968-2031  
 Fax: (323) 336-8307 | [fhc-usa.com](http://fhc-usa.com)



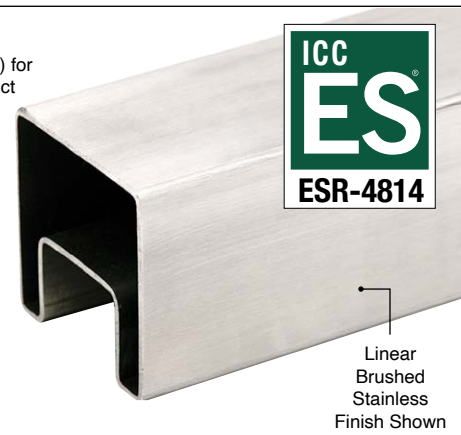
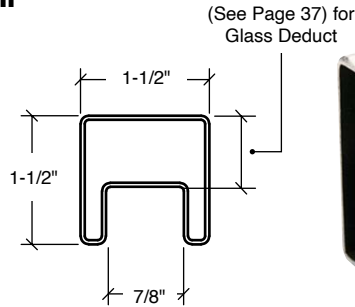
## FHC Stainless Steel Cap Rails

### FHC 1-1/2" Square Roll Formed Cap Rail

- For 1/2", 9/16", 11/16" or 3/4" Glass
- 316 Alloy
- 1-1/2" Square Profile
- 236" Stock Lengths
- Available in Two Architectural Finishes, Plus Powder Coat
- Rubber Gasket, End Caps, Corners, and Sleeves Sold Separately
- Custom Fabrication Available, Contact FHC Technical Sales for More Information

ITEM NO.	LENGTH	FINISH
SC15BS	236"	Brushed Stainless
SC15PS	236"	Polished Stainless

Minimum Order: 1 Each. Must Ship Common Carrier.

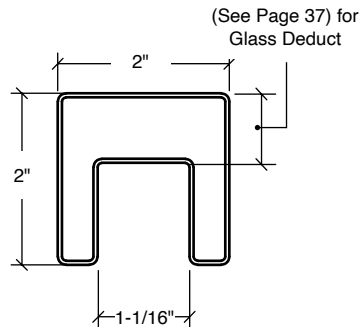


### FHC 2" Square Roll Formed Cap Rail

- For 1/2", 9/16", 11/16", 3/4" or 13/16" Glass
- 316 Alloy
- 236" Stock Lengths
- Available in Two Architectural Finishes, Plus Powder Coat
- Rubber Gasket, End Caps, Corners, and Sleeves Sold Separately
- Custom Fabrication Available, Contact FHC Technical Sales for More Information

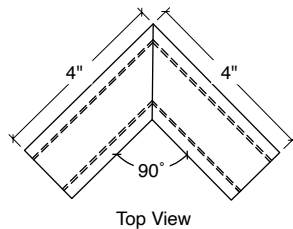
ITEM NO.	LENGTH	FINISH
SC20BS	236"	Brushed Stainless
SC20PS	236"	Polished Stainless

Minimum Order: 1 Each. Must Ship Common Carrier.



### FHC 90 Degree Horizontal Roll Formed Cap Rail Corner

- 90 Degree Horizontal Corner
- 316 Alloy
- Install With Two Connector Sleeves
- Adhere With LT32629 Cement and LT7649 Primer (See Pg. 53)
- Custom Fabrication Services Available. Contact FHC Technical Sales for a Quote



FOR SC15 1-1/2" SQUARE CAP RAIL

ITEM NO.	FINISH
SC15HBS	Brushed Stainless
SC15HPS	Polished Stainless

Minimum Order: 1 Each.

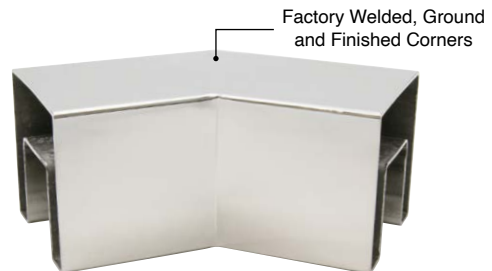
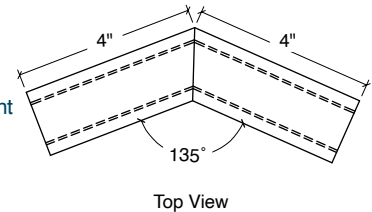
FOR SC20 2" SQUARE CAP RAIL

ITEM NO.	FINISH
SC20HBS	Brushed Stainless
SC20HPS	Polished Stainless

Minimum Order: 1 Each.

### FHC 135 Degree Horizontal Roll Formed Cap Rail Corner

- 135 Degree Horizontal Corner
- 316 Alloy
- Install With Two Connector Sleeves
- Adhere With LT32629 Cement and LT7649 Primer (See Pg. 53)
- Custom Fabrication Services Available. Contact FHC Technical Sales for a Quote



FOR SC15 1-1/2" SQUARE CAP RAIL

ITEM NO.	FINISH
SC15H3BS	Brushed Stainless
SC15H3PS	Polished Stainless

Minimum Order: 1 Each.

FOR SC20 2" SQUARE CAP RAIL

ITEM NO.	FINISH
SC20H3BS	Brushed Stainless
SC20H3PS	Polished Stainless

Minimum Order: 1 Each.

ICC-ES is a registered trademark of ICC Evaluation Service LLC.



THE GLAZING SUPPLY COMPANY  
EXPERIENCE AND INNOVATION



visit [fhc-usa.com](http://fhc-usa.com) to search for

Cap Rail

Enter the Item Number or scan QR code with your smartphone for complete product details

## FHC Stainless Steel Cap Rails

### FHC Flat End Caps for Roll Formed Square Cap Rails

- 316 Alloy
- Adhere With LT32629 Cement and LT7649 Primer (See Pg. 53)



#### FOR SC15 1-1/2" SQUARE CAP RAIL

ITEM NO.	FINISH
SC15ECBS	Brushed Stainless
SC15ECPS	Polished Stainless

Minimum Order: 1 Each.

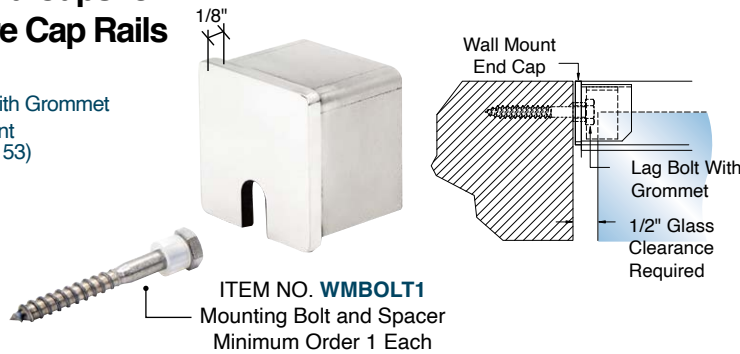
#### FOR SC20 2" SQUARE CAP RAIL

ITEM NO.	FINISH
SC20ECBS	Brushed Stainless
SC20ECPS	Polished Stainless

Minimum Order: 1 Each.

### FHC Wall Mount End Caps for Roll Formed Square Cap Rails

- 316 Alloy
- Includes 1/4" x 2" Lag Bolt With Grommet
- Adhere With LT32629 Cement and LT7649 Primer (See Pg. 53)



#### FOR SC15 1-1/2" SQUARE CAP RAIL

ITEM NO.	FINISH
SC15WCBS	Brushed Stainless
SC15WCPS	Polished Stainless

Minimum Order: 1 Each.

#### FOR SC20 2" SQUARE CAP RAIL

ITEM NO.	FINISH
SC20WCBS	Brushed Stainless
SC20WCPS	Polished Stainless

Minimum Order: 1 Each.

### FHC Square Roll Formed Cap Rail Connector Sleeves

- For Use With Square Cap Rails
- 5" Long Used To Connect and Align Two Pieces of Cap Rail
- Adhere With LT32629 Cement and LT7649 Primer (See Pg. 53)
- Mill Stainless Steel
- 316 Alloy

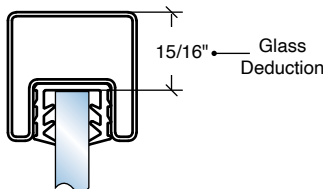


ITEM NO.	DESCRIPTION
SC15CSS	For 1-1/2" Square Cap Rail
SC20CSS	For 2" Square Cap Rail

Minimum Order: 1 Each.

### FHC Rubber Gasket for SC15 Cap Rail

- Securely Attaches Glass to Cap Rail
- 20' Length
- High Quality EPDM Rubber

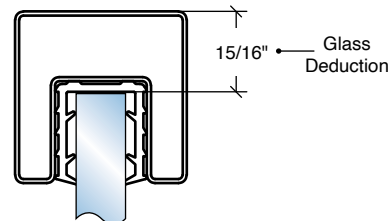


ITEM NO.	DESCRIPTION
CRV6RL	For 1/2", 9/16" and 5/8" Glass
CRV7RL	For 11/16" and 3/4" Glass

Minimum Order: 1 Roll.

### FHC Rubber Gasket for SC20 Cap Rail

- Securely Attaches Glass to Cap Rail
- 20' Length
- High Quality EPDM Rubber



ITEM NO.	DESCRIPTION
CRV3RL	For 1/2", 9/16" and 5/8" Glass
CRV4RL	For 11/16" and 3/4" Glass
CRV5RL	For 13/16" Glass

Minimum Order: 1 Roll.

visit [fhc-usa.com](http://fhc-usa.com) to search for

Cap Rail



Enter the Item Number or scan QR code with your smartphone for complete product details



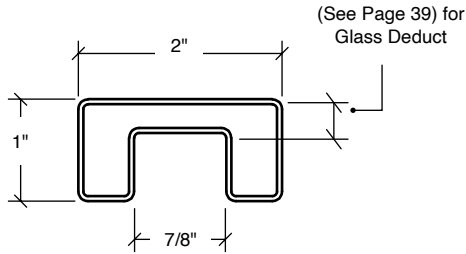
4361 Firestone Blvd. South Gate, CA 90280  
 Toll Free: (888) 295-4531 | Direct: (323) 968-2031  
 Fax: (323) 336-8307 | [fhc-usa.com](http://fhc-usa.com)



## FHC Stainless Steel Cap Rails

### FHC 2" x 1" Rectangular Roll Formed Cap Rail

- For 1/2", 9/16", 11/16", or 3/4" Glass
- 316 Alloy
- 2" X 1" Rectangular Profile
- 236" Stock Lengths
- Available In Two Architectural Finishes, Plus Powder Coat
- Rubber Gasket, End Caps, Corners and Sleeves Sold Separately
- Custom Fabrication Available, Contact FHC Technical Sales for More Information



Chat With FHC On Our Website to Get Real Time Expert Support from Knowledgeable Reps



Chat With Us!

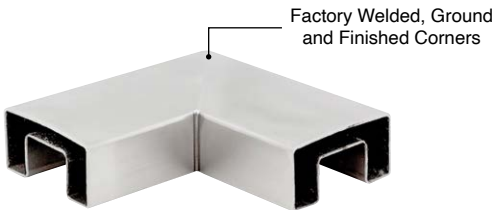
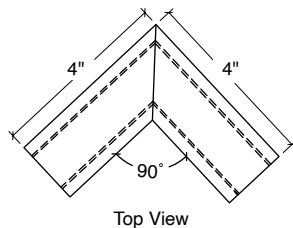


ITEM NO.	LENGTH	FINISH
REC2BS	236"	Brushed Stainless
REC2PS	236"	Polished Stainless

Minimum Order: 1 Each. Must Ship Common Carrier.

### FHC 90 Degree Horizontal Roll Formed Cap Rail Corner

- For 1/2", 9/16", 11/16", or 3/4" Glass
- 90 Degree Horizontal Corner
- 316 Alloy
- Install With Two REC2CSS Connector Sleeves
- Adhere With LT32629 Cement and LT7649 Primer (See Pg. 53)
- Custom Fabrication Services Available. Contact FHC Technical Sales for a Quote



FOR REC2 2" x 1" RECTANGULAR CAP RAIL

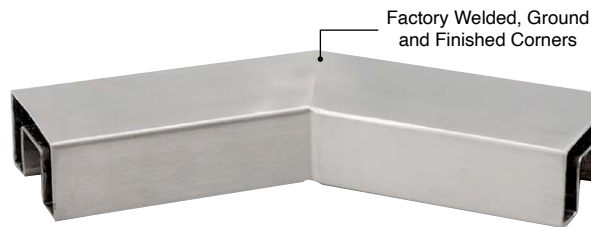
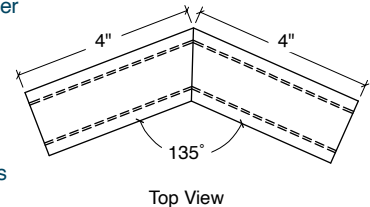
ITEM NO.	FINISH
REC2HBS	Brushed Stainless
REC2HPS	Polished Stainless

Minimum Order: 1 Each.

ICC-ES is a registered trademark of ICC Evaluation Service LLC.

### FHC 135 Degree Horizontal Roll Formed Cap Rail Corner

- For 1/2", 9/16", 11/16", or 3/4" Glass
- 135 Degree Horizontal Corner
- 316 Alloy
- Install With Two REC2CSS Connector Sleeves
- Adhere With LT32629 Cement and LT7649 Primer (See Pg. 53)
- Custom Fabrication Services Available. Contact FHC Technical Sales for a Quote



FOR REC2 2" x 1" RECTANGULAR CAP RAIL

ITEM NO.	FINISH
REC2H3BS	Brushed Stainless
REC2H3PS	Polished Stainless

Minimum Order: 1 Each.



THE GLAZING SUPPLY COMPANY  
EXPERIENCE AND INNOVATION



visit [fhc-usa.com](http://fhc-usa.com) to search for

Cap Rail



Enter the Item Number or scan QR code with your smartphone for complete product details

## FHC Stainless Steel Cap Rails

### FHC Flat End Caps for 2" x 1" Rectangular Roll Formed Cap Rails

- 316 Alloy
- Adhere With LT32629 Cement and LT7649 Primer (See Pg. 53)



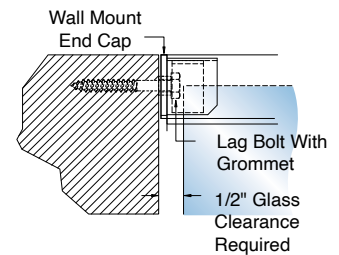
FOR REC2 2" x 1" RECTANGULAR CAP RAIL

ITEM NO.	FINISH
REC2ECBS	Brushed Stainless
REC2ECPS	Polished Stainless

Minimum Order: 1 Each.

### FHC Wall Mount End Caps for 2" x 1" Rectangular Roll Formed Cap Rails

- 316 Alloy
- Includes 1/4" x 2" Lag Bolt With Grommet
- Adhere With LT32629 Cement and LT7649 Primer (See Pg. 53)



ITEM NO. **WMBOLT1**  
Mounting Bolt and Spacer  
Minimum Order 1 Each

FOR REC2 2" x 1" RECTANGULAR CAP RAIL

ITEM NO.	FINISH
REC2WCBS	Brushed Stainless
REC2WCPS	Polished Stainless

Minimum Order: 1 Each.

### FHC 2" x 1" Rectangular Roll Formed Cap Rail Connector Sleeves

- For Use With REC2 Cap Rail
- 316 Alloy
- 5" Long Connector Sleeve
- Used To Connect and Align 2 Straight Pieces of Rail
- Mill Stainless Steel
- Adhere With LT32629 Cement and LT7649 Primer (See Pg. 53)



ITEM NO.	DESCRIPTION
REC2CSS	For 2" x 1" Rectangular Cap Rails

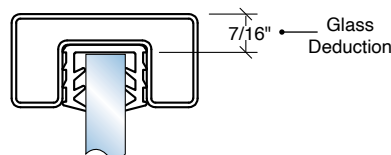
Minimum Order: 1 Each.

### FHC Rubber Gasket for REC2 Cap Rail

- Securely Attaches Glass to Cap Rail
- 20' Length
- High Quality Rubber

ITEM NO.	DESCRIPTION
CRV6RL	For 1/2", 9/16" and 5/8" Glass
CRV7RL	For 11/16" and 3/4" Glass

Minimum Order: 1 Roll.



visit [fhc-usa.com](http://fhc-usa.com) to search for

Cap Rail



Enter the Item Number or scan QR code with your smartphone for complete product details



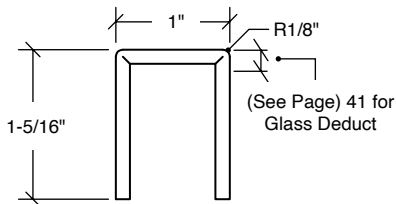
4361 Firestone Blvd. South Gate, CA 90280  
Toll Free: (888) 295-4531 | Direct: (323) 968-2031  
Fax: (323) 336-8307 | [fhc-usa.com](http://fhc-usa.com)



## FHC Stainless Steel Cap Rails

### FHC CRVG1 V-CUT Cap Rail

- For 1/2", 9/16" or 5/8" Glass
- Cap Rail For Guardrail Systems
- V-Cut Design with 1/8" Radius Corners
- Linear Hairline Brushed Finish (304 Alloy)
- 304 Alloy
- Rubber Gasket, End Caps, Corners and Sleeves Sold Separately
- Custom Fabrication Available, Contact FHC Technical Sales for More Information



Chat With FHC On Our Website to Get Real Time Expert Support from Knowledgeable Reps



Chat With Us!

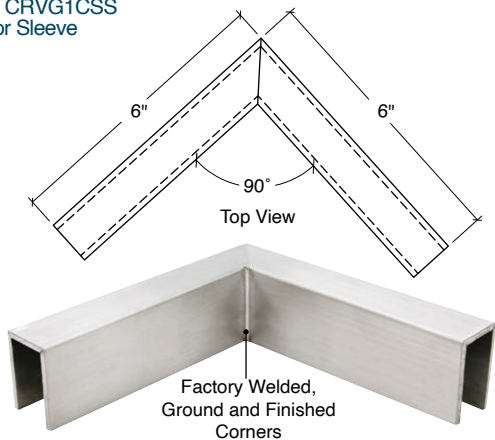


ITEM NO.	LENGTH	FINISH
CRVG1BS	144"	Brushed Stainless
CRVG1PS	144"	Polished Stainless

Minimum Order: 1 Each. Must Ship Common Carrier.

### FHC 90 Degree Horizontal CRVG1 V-CUT Cap Rail Corner

- Pre Fabricated 90 Degree Horizontal Corner
- For 1/2", 9/16" or 5/8" Glass
- 6" x 6" O.D. Outer Legs
- 304 Alloy Stainless Steel
- Use With CRVG1CSS Connector Sleeve
- Available in Two Architectural Finishes
- Custom Fabrication Services Available. Contact FHC Technical Sales for a Quote



FOR CRVG1 V-CUT CAP RAIL

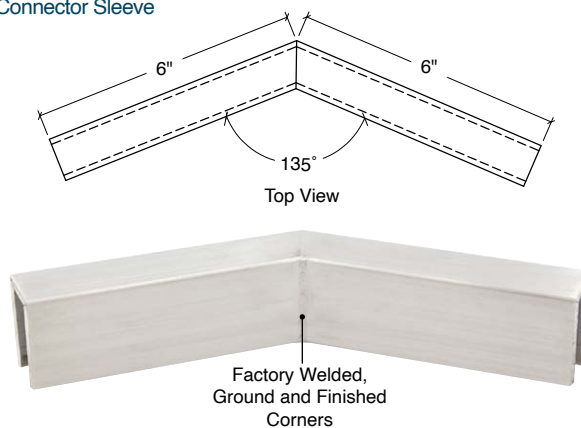
ITEM NO.	FINISH
CRVG1HBS	Brushed Stainless
CRVG1HPS	Polished Stainless

Minimum Order: 1 Each.

ICC-ES is a registered trademark of ICC Evaluation Service LLC.

### FHC 135 Degree Horizontal CRVG1 V-CUT Cap Rail Corner

- Pre Fabricated 135 Degree Horizontal Corner
- For 1/2", 9/16" or 5/8" Glass
- 6" x 6" O.D. Outer Legs
- 304 Alloy Stainless Steel
- Use With CRVG1CSS Connector Sleeve
- Available in Two Architectural Finishes
- Custom Fabrication Services Available. Contact FHC Technical Sales for a Quote



FOR CRVG1 V-CUT CAP RAIL

ITEM NO.	FINISH
CRVG1H3BS	Brushed Stainless
CRVG1H3PS	Polished Stainless

Minimum Order: 1 Each.



THE GLAZING SUPPLY COMPANY  
EXPERIENCE AND INNOVATION



visit [fhc-usa.com](http://fhc-usa.com) to search for

Cap Rail



Enter the Item Number or scan QR code with your smartphone for complete product details



## FHC Stainless Steel Cap Rails

### FHC Flat End Caps for CRVG1 V-CUT Cap Rail

- 304 Alloy Stainless Steel
- Available in Two Architectural Finishes
- Adhere With LT32629 Cement and LT7649 Primer (See Pg. 53)



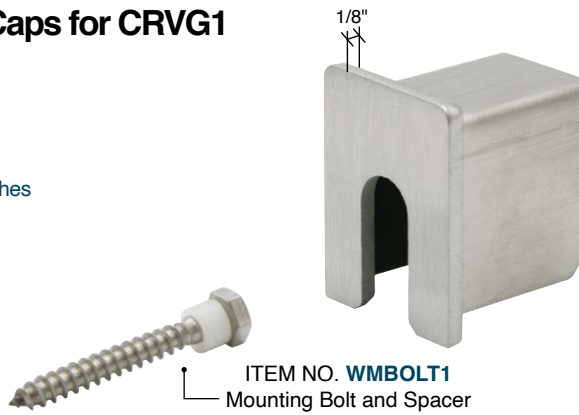
FOR CRVG1 V-CUT CAP RAIL

ITEM NO.	FINISH
CRVG1ECBS	Brushed Stainless
CRVG1ECP	Polished Stainless

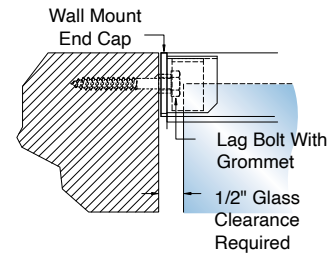
Minimum Order: 1 Each.

### FHC Wall Mount End Caps for CRVG1 V-CUT Cap Rail

- Includes 1/4" x 2" Lag Screw With Nylon Grommet
- 304 Alloy Stainless Steel
- Available in Two Architectural Finishes
- Adhere With LT32629 Cement and LT7649 Primer (See Pg. 53)
- Custom Fabrication Available, Contact FHC Technical Sales for More Information



ITEM NO. **WMBOLT1**  
Mounting Bolt and Spacer  
Minimum Order 1 Each



FOR CRVG1 V-CUT CAP RAIL

ITEM NO.	FINISH
CRVG1WCBS	Brushed Stainless
CRVG1WCP	Polished Stainless

Minimum Order: 1 Each.

### FHC CRVG1 V-CUT Cap Rail Connector Sleeves

- Used with CRVG1 Stainless Steel Cap Rail
- 5" Long Internal Connector Used to Align Cap Rail
- Mill Stainless Steel
- Adhere With LT32629 Cement and LT7649 Primer (See Pg. 53)



ITEM NO.	DESCRIPTION
CRVG1CSS	For CRVG1 V-Cut Cap Rail

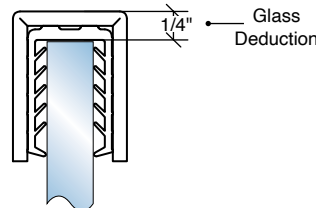
Minimum Order: 1 Each.

### FHC Rubber Gasket for CRVG1 Cap Rail

- Securely Attaches Glass to Cap Rail
- 20' Length
- High Quality EPDM Rubber

ITEM NO.	DESCRIPTION
CRV1RL	For 1/2", 9/16" and 5/8" Glass

Minimum Order: 1 Roll.



visit [fhc-usa.com](http://fhc-usa.com) to search for

Cap Rail



Enter the Item Number or scan QR code with your smartphone for complete product details



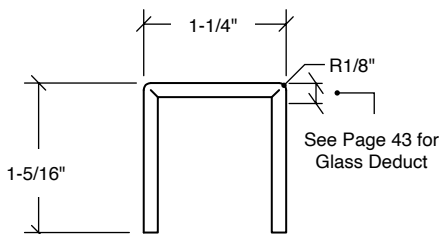
4361 Firestone Blvd. South Gate, CA 90280  
Toll Free: (888) 295-4531 | Direct: (323) 968-2031  
Fax: (323) 336-8307 | [fhc-usa.com](http://fhc-usa.com)

**FHC**<sup>®</sup>  
FRAMELESS HARDWARE COMPANY

## FHC Stainless Steel Cap Rails

### FHC CRVG7 V-CUT Cap Rail

- For 11/16" or 3/4" Glass
- Cap Rail For Guardrail Systems
- V-Cut Design with 1/8" Radius Corners
- Linear Hairline Brushed Finish (304 Alloy)
- Rubber Gasket, End Caps, Corners and Sleeves Sold Separately
- Custom Fabrication Available, Contact FHC Technical Sales for More Information



Chat With FHC On Our Website to Get Real Time Expert Support from Knowledgeable Reps

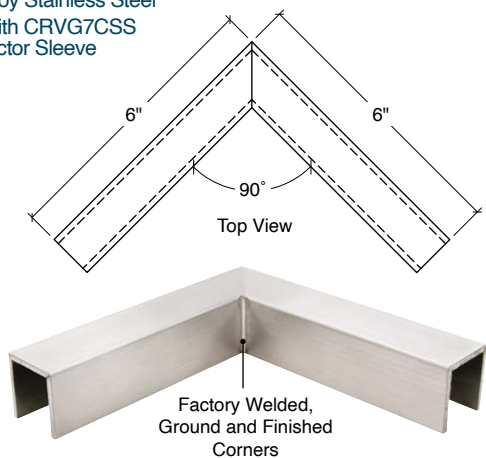


ITEM NO.	LENGTH	FINISH
CRVG7BS	144"	Brushed Stainless
CRVG7PS	144"	Polished Stainless

Minimum Order: 1 Each. Must Ship Common Carrier.

### FHC 90 Degree Horizontal CRVG7 V-CUT Cap Rail Corner

- Pre Fabricated 90 Degree Horizontal Corner
- For 11/16" or 3/4 Glass
- 6" x 6" O.D. Outer Legs
- 304 Alloy Stainless Steel
- Use With CRVG7CSS Connector Sleeve
- Available in Two Architectural Finishes
- Custom Fabrication Services Available. Contact FHC Technical Sales for a Quote



FOR CRVG7 V-CUT CAP RAIL

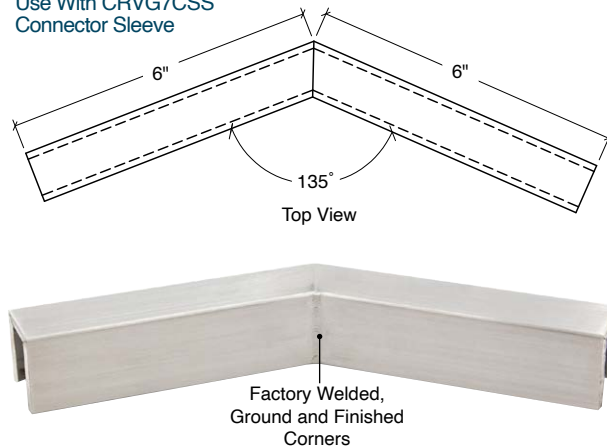
ITEM NO.	FINISH
CRVG7HBS	Brushed Stainless
CRVG7HPS	Polished Stainless

Minimum Order: 1 Each.

ICC-ES is a registered trademark of ICC Evaluation Service LLC.

### FHC 135 Degree Horizontal CRVG7 V-CUT Cap Rail Corner

- Pre Fabricated 135 Degree Horizontal Corner
- For 11/16" or 3/4 Glass
- 6" x 6" O.D. Outer Legs
- 304 Alloy Stainless Steel
- Use With CRVG7CSS Connector Sleeve
- Available in Two Architectural Finishes
- Custom Fabrication Services Available. Contact FHC Technical Sales for a Quote



FOR CRVG7 V-CUT CAP RAIL

ITEM NO.	FINISH
CRVG7H3BS	Brushed Stainless
CRVG7H3PS	Polished Stainless

Minimum Order: 1 Each.



THE GLAZING SUPPLY COMPANY  
EXPERIENCE AND INNOVATION



visit [fhc-usa.com](http://fhc-usa.com) to search for

Cap Rail

Enter the Item Number or scan QR code with your smartphone for complete product details

## FHC Stainless Steel Cap Rails

### FHC Flat End Caps for CRVG7 V-CUT Cap Rail

- 304 Alloy Stainless Steel
- Available in Two Architectural Finishes
- Adhere With LT32629 Cement and LT7649 Primer (See Pg. 53)



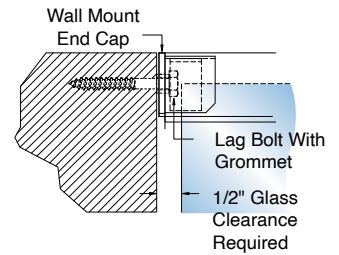
FOR CRVG7 V-CUT CAP RAIL

ITEM NO.	FINISH
CRVG7ECBS	Brushed Stainless
CRVG7ECP	Polished Stainless

Minimum Order: 1 Each.

### FHC Wall Mount End Caps for CRVG7 V-CUT Cap Rail

- Wall Mount End Cap For CRVG7 Cap Rail
- Includes 1/4" Lag Screw With Nylon Grommet
- 304 Alloy Stainless Steel
- Available in Two Architectural Finishes
- Adhere With LT32629 Cement and LT7649 Primer (See Pg. 53)
- Custom Fabrication Available, Contact FHC Technical Sales for More Information



FOR CRVG7 V-CUT CAP RAIL

ITEM NO.	FINISH
CRVG7WCBS	Brushed Stainless
CRVG7WCP	Polished Stainless

Minimum Order: 1 Each.



### FHC CRVG7 V-CUT Cap Rail Connector Sleeves

- 5" Long
- Used with CRVG7 Stainless Steel Cap Rail
- Internal Connector Used to Align Cap Rail
- Mill Stainless Steel
- Adhere With LT32629 Cement and LT7649 Primer (See Pg. 53)



ITEM NO.	DESCRIPTION
CRVG7CSS	For CRVG7 V-Cut Cap Rail

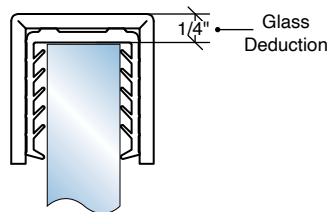
Minimum Order: 1 Each.

### FHC Rubber Gasket for CRVG7 Cap Rail

- Securely Attaches Glass to Cap Rail
- 20' Length
- High Quality EPDM Rubber

ITEM NO.	DESCRIPTION
CRV2RL	For 11/16" and 3/4" Glass

Minimum Order: 1 Roll.



visit [fhc-usa.com](http://fhc-usa.com) to search for

Cap Rail



Enter the Item Number or scan QR code with your smartphone for complete product details



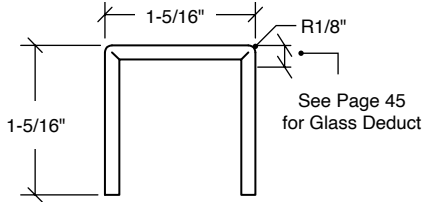
4361 Firestone Blvd. South Gate, CA 90280  
 Toll Free: (888) 295-4531 | Direct: (323) 968-2031  
 Fax: (323) 336-8307 | [fhc-usa.com](http://fhc-usa.com)



## FHC Stainless Steel Cap Rails

### FHC CRVG8 V-CUT Cap Rail

- For 13/16" Glass
- Cap Rail For Guardrail Systems
- V-Cut Design with 1/8" Radius Corners
- Linear Hairline Brushed Finish (304 Alloy)
- Rubber Gasket, End Caps, Corners and Sleeves Sold Separately
- Custom Fabrication Available, Contact FHC Technical Sales for More Information



Chat With FHC On Our Website to Get Real Time Expert Support from Knowledgeable Reps



Chat With Us!

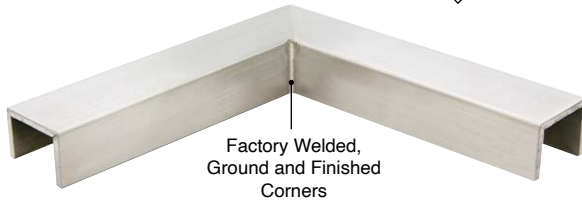
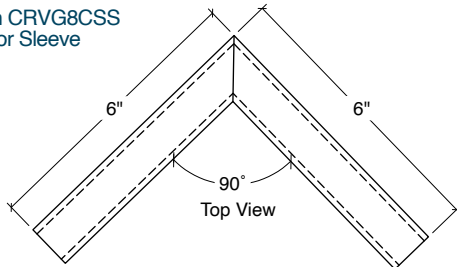


ITEM NO.	LENGTH	FINISH
CRVG8BS	144"	Brushed Stainless
CRVG8PS	144"	Polished Stainless

Minimum Order: 1 Each. Must Ship Common Carrier.

### FHC 90 Degree Horizontal CRVG8 V-CUT Cap Rail Corner

- Pre Fabricated 90 Degree Horizontal Corner
- For 13/16" Glass
- 6" x 6" O.D. Outer Legs
- 304 Alloy Stainless Steel
- Use With CRVG8CSS Connector Sleeve
- Available in Two Architectural Finishes
- Custom Fabrication Services Available. Contact FHC Technical Sales for a Quote



FOR CRVG8 V-CUT CAP RAIL

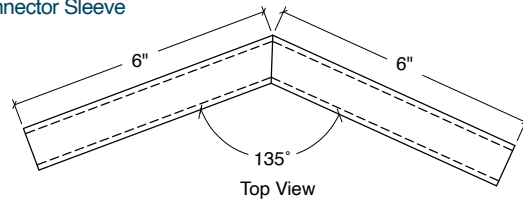
ITEM NO.	FINISH
CRVG8HBS	Brushed Stainless
CRVG8HPS	Polished Stainless

Minimum Order: 1 Each.

ICC-ES is a registered trademark of ICC Evaluation Service LLC.

### FHC 135 Degree Horizontal CRVG8 V-CUT Cap Rail Corner

- Pre Fabricated 135 Degree Horizontal Corner
- For 13/16" Glass
- 6" x 6" O.D. Outer Legs
- 304 Alloy Stainless Steel
- Use With CRVG8CSS Connector Sleeve
- Available in Two Architectural Finishes
- Custom Fabrication Services Available. Contact FHC Technical Sales for a Quote



FOR CRVG8 V-CUT CAP RAIL

ITEM NO.	FINISH
CRVG8H3BS	Brushed Stainless
CRVG8H3PS	Polished Stainless

Minimum Order: 1 Each.



THE GLAZING SUPPLY COMPANY  
EXPERIENCE AND INNOVATION



visit [fhc-usa.com](http://fhc-usa.com) to search for

Cap Rail



Enter the Item Number or scan QR code with your smartphone for complete product details

## FHC Stainless Steel Cap Rails

### FHC Flat End Caps for CRVG8 V-CUT Cap Rail

- 304 Alloy Stainless Steel
- Available in Two Architectural Finishes
- Adhere With LT32629 Cement and LT7649 Primer (See Pg. 53)



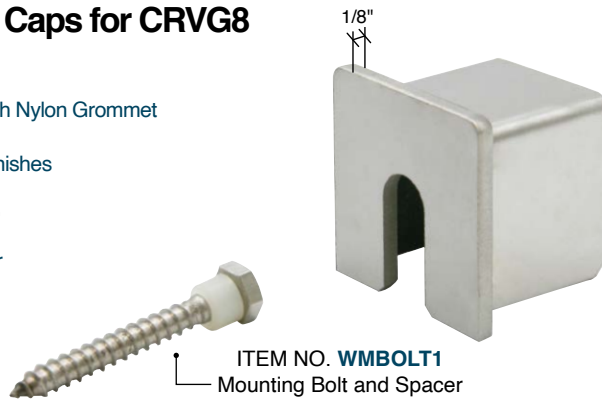
FOR CRVG8 V-CUT CAP RAIL

ITEM NO.	FINISH
CRVG8ECBS	Brushed Stainless
CRVG8ECPS	Polished Stainless

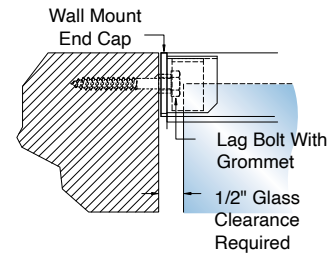
Minimum Order: 1 Each.

### FHC Wall Mount End Caps for CRVG8 V-CUT Cap Rail

- Includes 1/4" x 2" Lag Screw With Nylon Grommet
- 304 Alloy Stainless Steel
- Available in Two Architectural Finishes
- Adhere With LT32629 Cement and LT7649 Primer (See Pg. 53)
- Custom Fabrication Available, Contact FHC Technical Sales for More Information



ITEM NO. **WMBOLT1**  
Mounting Bolt and Spacer  
Minimum Order 1 Each



FOR CRVG8 V-CUT CAP RAIL

ITEM NO.	FINISH
CRVG8WCBS	Brushed Stainless
CRVG8WCPS	Polished Stainless

Minimum Order: 1 Each.

### FHC CRVG8 V-CUT Cap Rail Connector Sleeves

- 5" Long
- Used with CRVG8 Stainless Steel Cap Rail
- Internal Connector Used to Align Cap Rail
- Mill Stainless Steel
- Adhere With LT32629 Cement and LT7649 Primer (See Pg. 53)



ITEM NO.	DESCRIPTION
CRVG8CSS	For CRVG8 V-Cut Cap Rail

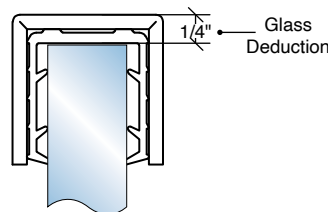
Minimum Order: 1 Each.

### FHC Rubber Gasket for CRVG8 Cap Rail

- Securely Attaches Glass to Cap Rail
- 20' Length
- High Quality EPDM Rubber

ITEM NO.	DESCRIPTION
CRV5RL	For 13/16" Glass

Minimum Order: 1 Roll.



visit [fhc-usa.com](http://fhc-usa.com) to search for

Cap Rail



Enter the Item Number or scan QR code with your smartphone for complete product details



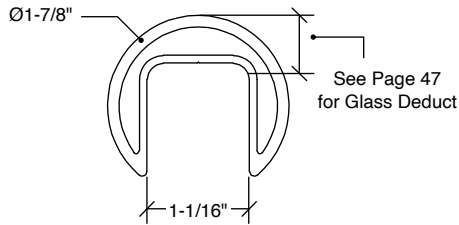
4361 Firestone Blvd. South Gate, CA 90280  
Toll Free: (888) 295-4531 | Direct: (323) 968-2031  
Fax: (323) 336-8307 | [fhc-usa.com](http://fhc-usa.com)



## FHC Aluminum Cap Rails

### FHC 1-7/8" Diameter Aluminum Cap Rail

- For 1/2", 9/16", 11/16" or 13/16" Glass
- 240" Stock Lengths
- Available in Two Architectural Finishes, Plus Mill Aluminum
- Rubber Gasket, End Caps, and Sleeves Sold Separately
- Custom Fabrication Available. Contact FHC Technical Sales For More Information



ITEM NO.	LENGTH	FINISH
CR19SA	240"	Satin Anodized
CR19MB	240"	Matte Black
CR19M	240"	Mill Aluminum

Minimum Order: 1 Each. Must Ship Common Carrier.

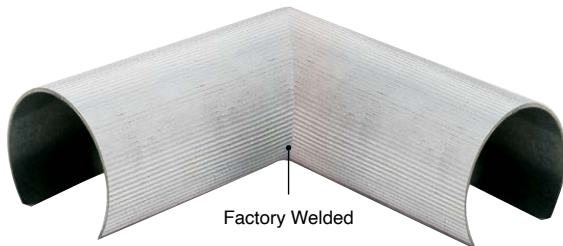
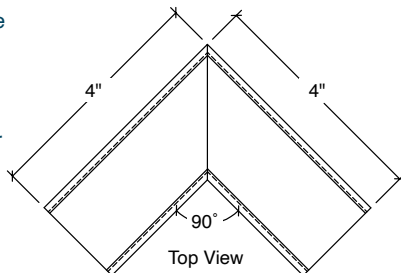
Chat With FHC On Our Website to Get Real Time Expert Support from Knowledgeable Reps

Chat With Us!



### FHC 90 Degree Aluminum Horizontal Internal Splice Sleeve

- Internal Connector Sleeve for 1-7/8" Diameter Aluminum Cap Rails
- Mill Aluminum
- Adhere With LT32629 Cement & LT7649 Primer (See Pg. 53)



FOR CR19 ALUMINUM CAP RAIL

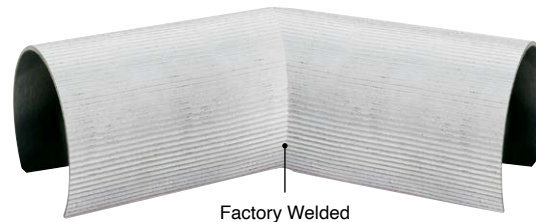
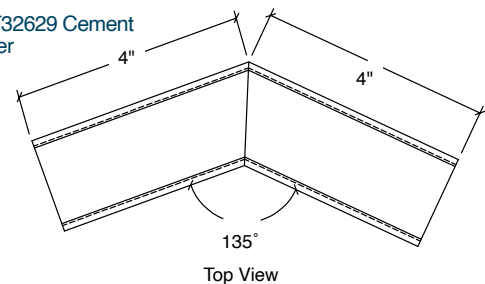
ITEM NO.	FINISH
CR1S90M	Mill Aluminum

Minimum Order: 1 Each.

ICC-ES is a registered trademark of ICC Evaluation Service LLC.

### FHC 135 Degree Horizontal Internal Splice Sleeve

- Internal Connector Sleeve for 1-7/8" Diameter Aluminum Cap Rails
- Mill Aluminum
- Adhere With LT32629 Cement & LT7649 Primer (See Pg. 53)



FOR CR19 ALUMINUM CAP RAIL

ITEM NO.	FINISH
CR1S135M	Mill Aluminum

Minimum Order: 1 Each.



THE GLAZING SUPPLY COMPANY  
EXPERIENCE AND INNOVATION



visit [fhc-usa.com](http://fhc-usa.com) to search for

Cap Rail



Enter the Item Number or scan QR code with your smartphone for complete product details

## FHC Aluminum Cap Rails

### FHC Flat End Caps for 1-7/8" Diameter Cap Rail

- Available in Two Architectural Finishes, Plus Mill Aluminum
- Adhere With LT32629 Cement and LT7649 Primer (See Pg. 53)



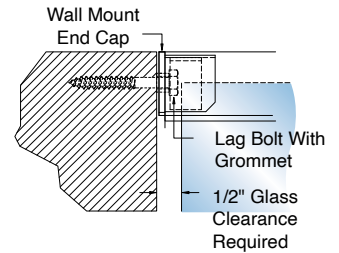
FOR CR19 ALUMINUM CAP RAIL

ITEM NO.	FINISH
CR19ECSA	Satin Anodized
CR19ECMB	Matte Black
CR19ECM	Mill Aluminum

Minimum Order: 1 Each.

### FHC Wall Mount End Caps for 1-7/8" Diameter Cap Rail

- Includes 1/4" x 2" Lag Bolt With Nylon Grommet
- Adhere With LT32629 Cement and LT7649 Primer (See Pg. 53)
- Custom Fabrication Available, Contact FHC Technical Sales for More Information



ITEM NO. **WMBOLT1**  
Mounting Bolt and Spacer  
Minimum Order 1 Each

FOR CR19 ALUMINUM CAP RAIL

ITEM NO.	FINISH
CR19WCSA	Satin Anodized
CR19WCMB	Matte Black
CR19WCM	Mill Aluminum

Minimum Order: 1 Each.

### FHC 1-7/8" Diameter Aluminum Cap Rail Connector Sleeves

- Used with CR19 Aluminum Cap Rail
- 5" Long internal Connector Used to Align Cap Rails
- Adhere With LT32629 Cement and LT7649 Primer (See Pg. 53)



ITEM NO.	DESCRIPTION
CR19CSM	For 1-7/8" Aluminum Cap Rail

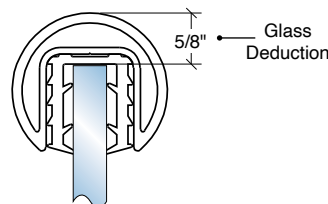
Minimum Order: 1 Each.

### FHC Rubber Gasket for CR19 Aluminum Cap Rail

- Securely Attaches Glass to Cap Rail
- 20' Length
- High Quality EPDM Rubber

ITEM NO.	DESCRIPTION
CRV3RL	For 1/2" and 9/16" Glass
CRV4RL	For 11/16" and 3/4" Glass
CRV5RL	For 13/16" Glass

Minimum Order: 1 Roll.



visit [fhc-usa.com](http://fhc-usa.com) to search for

Cap Rail



Enter the Item Number or scan QR code with your smartphone for complete product details



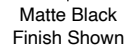
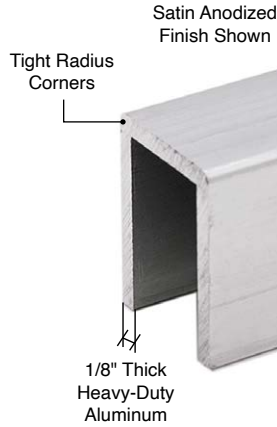
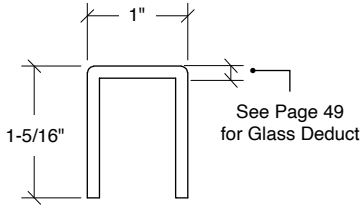
4361 Firestone Blvd. South Gate, CA 90280  
Toll Free: (888) 295-4531 | Direct: (323) 968-2031  
Fax: (323) 336-8307 | [fhc-usa.com](http://fhc-usa.com)

**FHC**<sup>®</sup>  
FRAMELESS HARDWARE COMPANY

## FHC Aluminum Cap Rails

### FHC CRU1 Aluminum Cap Rail

- For 1/2" and 9/16" Glass
- Cap Rail For Guardrail Systems
- 1" x 1-5/16" U-Channel
- 240" Stock Lengths
- Available in Two Architectural Finishes and Mill Aluminum
- Rubber Gasket, End Caps, and Sleeves Sold Separately
- Custom Fabrication Available. Contact FHC Technical Sales For More Information



ITEM NO.	LENGTH	FINISH
CRU1SA	240"	Satin Anodized
CRU1MB	240"	Matte Black
CRU1M	240"	Mill Aluminum

Minimum Order: 1 Each. Must Ship Common Carrier.

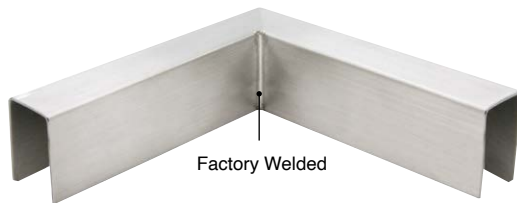
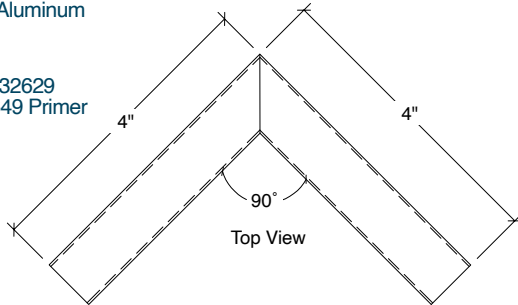
Chat With FHC On Our Website to Get Real Time Expert Support from Knowledgeable Reps

Chat With Us!



### FHC 90 Degree Horizontal CRU1 Internal Splice Sleeve

- Internal Connector Sleeve for 1" x 1-5/16" Aluminum Cap Rails
- Mill Aluminum
- Adhere With LT32629 Cement & LT7649 Primer (See Pg. 53)



FOR CRU1 ALUMINUM CAP RAIL

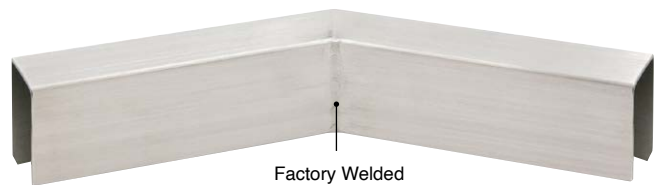
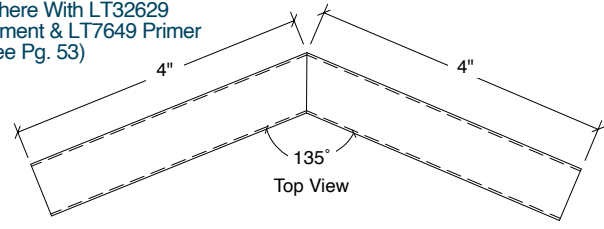
ITEM NO.	FINISH
CRU1S90M	Mill Aluminum

Minimum Order: 1 Each.

ICC-ES is a registered trademark of ICC Evaluation Service LLC.

### FHC 135 Degree Horizontal CRU1 Internal Splice Sleeve

- Internal Connector Sleeve for 1" x 1-5/16" Aluminum Cap Rails Mill Aluminum
- Mill Aluminum
- Adhere With LT32629 Cement & LT7649 Primer (See Pg. 53)



FOR CRU1 ALUMINUM CAP RAIL

ITEM NO.	FINISH
CRU1S135M	Mill Aluminum

Minimum Order: 1 Each.



THE GLAZING SUPPLY COMPANY  
EXPERIENCE AND INNOVATION



visit [fhc-usa.com](http://fhc-usa.com) to search for

Cap Rail



Enter the Item Number or scan QR code with your smartphone for complete product details



## FHC Aluminum Cap Rails

### FHC Flat End Caps for CRU1 Aluminum Cap Rail

- Flat Decorative End Cap For CRU1 Cap Rail
- Available in Two Architectural Finishes, Plus Mill Aluminum
- Adhere With LT32629 Cement and LT7649 Primer (See Pg. 53)



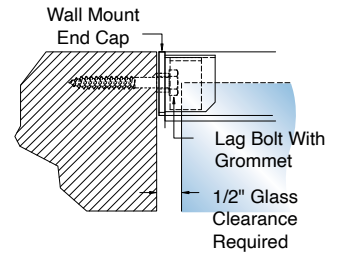
FOR CRU1 ALUMINUM CAP RAIL

ITEM NO.	FINISH
CRU1ECSA	Satin Anodized
CRU1ECMB	Matte Black
CRU1ECM	Mill Aluminum

Minimum Order: 1 Each.

### FHC Wall Mount End Caps for CRU1 Aluminum Cap Rail

- Wall Mount End Cap for CRU1 Cap Rail
- Includes 1/4" x 2" Lag Bolt With Nylon Grommet
- Adhere With LT32629 Cement and LT7649 Primer (See Pg. 53)
- Custom Fabrication Available, Contact FHC Technical Sales for More Information



ITEM NO. **WMBOLT1**  
Mounting Bolt and Spacer  
Minimum Order 1 Each

FOR CRU1 ALUMINUM CAP RAIL

ITEM NO.	FINISH
CRU1WCESA	Satin Anodized
CRU1WCMB	Matte Black
CRU1WCM	Mill Aluminum

Minimum Order: 1 Each.

### FHC CRU1 Aluminum Cap Rail Connector Sleeves

- Used With CRU1 Aluminum Cap Rail
- 5" Long Internal Connector Used to Align Cap Rails
- Adhere With LT32629 Cement and LT7649 Primer (See Pg. 53)



ITEM NO.	DESCRIPTION
CRU1CSM	For CRU1 Aluminum Cap Rail

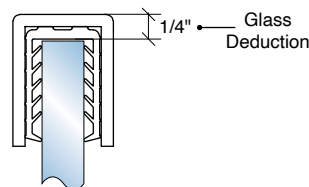
Minimum Order: 1 Each.

### FHC Vinyl for CRU1 Aluminum Cap Rail

- Securely Attaches Glass to Cap Rail
- 20' Length
- High Quality EPDM Rubber

ITEM NO.	DESCRIPTION
CRV1RL	For 1/2" and 9/16" Glass

Minimum Order: 1 Roll.



visit [fhc-usa.com](http://fhc-usa.com) to search for

Cap Rail



Enter the Item Number or scan QR code with your smartphone for complete product details



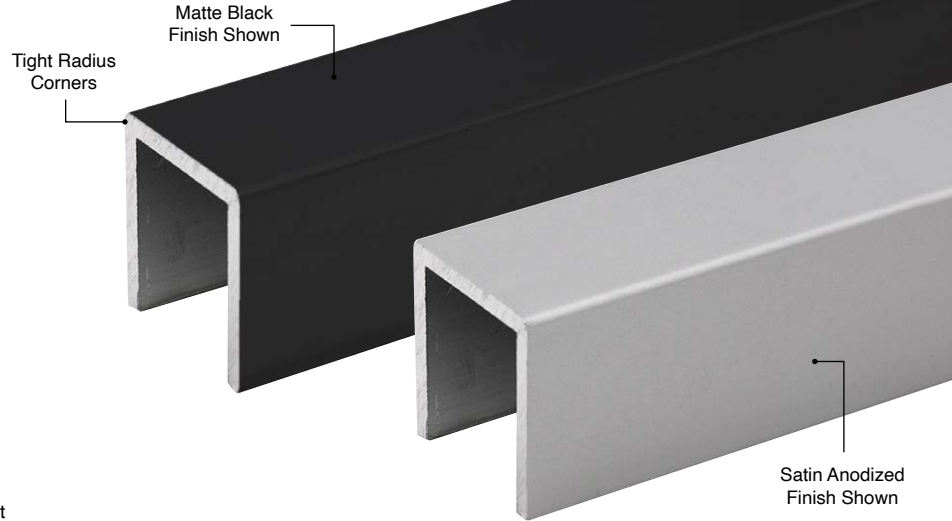
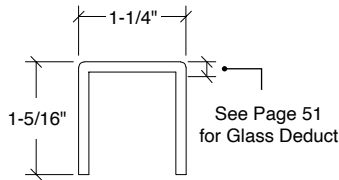
4361 Firestone Blvd. South Gate, CA 90280  
Toll Free: (888) 295-4531 | Direct: (323) 968-2031  
Fax: (323) 336-8307 | [fhc-usa.com](http://fhc-usa.com)



## FHC Aluminum Cap Rails

### FHC CRU7 Aluminum Cap Rail

- For 11/16" Glass
- Cap Rail For Guardrail Systems
- 1-1/4" x 1-5/16" U-Channel
- 240" Stock Lengths
- Available in Two Architectural Finishes and Mill Aluminum
- Rubber Gasket, End Caps, Corners and Sleeves Sold Separately
- Custom Fabrication Available. Contact FHC Technical Sales For More Information



ITEM NO.	LENGTH	FINISH
CRU7SA	240"	Satin Anodized
CRU7MB	240"	Matte Black
CRU7M	240"	Mill Aluminum

Minimum Order: 1 Each. Must Ship Common Carrier.

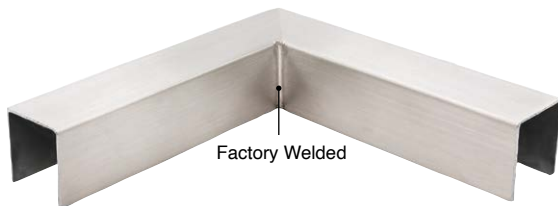
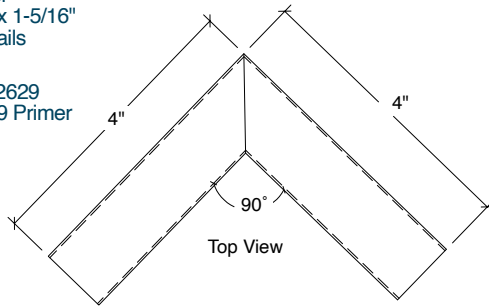
Chat With FHC On Our Website to Get Real Time Expert Support from Knowledgeable Reps

Chat With Us!



### FHC 90 Degree Horizontal CRU7 Internal Splice Sleeve

- Internal Connector Sleeve for 1-1/4" x 1-5/16" Aluminum Cap Rails
- Mill Aluminum
- Adhere With LT32629 Cement & LT7649 Primer (See Pg. 53)



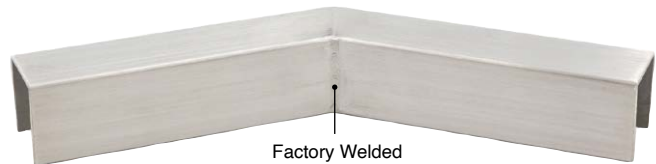
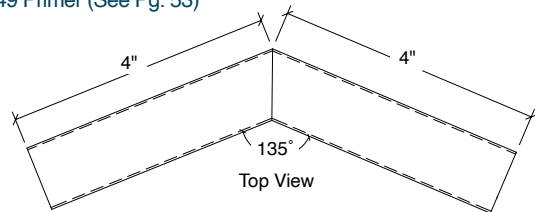
FOR CRU7 ALUMINUM CAP RAIL

ITEM NO.	FINISH
CRU7S90M	Mill Aluminum

Minimum Order: 1 Each.

### FHC 135 Degree Horizontal CRU7 Internal Splice Sleeve

- Internal Connector Sleeve for or 1-1/4" x 1-5/16" Aluminum Cap Rails
- Mill Aluminum
- Adhere With LT32629 Cement & LT7649 Primer (See Pg. 53)



FOR CRU1 ALUMINUM CAP RAIL

ITEM NO.	FINISH
CRU7S135M	Mill Aluminum

Minimum Order: 1 Each.

ICC-ES is a registered trademark of ICC Evaluation Service LLC.



THE GLAZING SUPPLY COMPANY  
EXPERIENCE AND INNOVATION



visit [fhc-usa.com](http://fhc-usa.com) to search for

Cap Rail

Enter the Item Number or scan QR code with your smartphone for complete product details

## FHC Aluminum Cap Rails

### FHC Flat End Caps for CRU7 Aluminum Cap Rail

- Flat Decorative End Cap For CRU7 Cap Rail
- Available in Two Architectural Finishes, Plus Mill Aluminum
- Adhere With LT32629 Cement and LT7649 Primer (See Pg. 53)



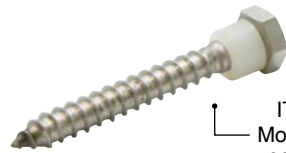
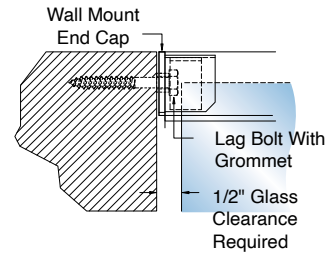
**FOR CRU7 ALUMINUM CAP RAIL**

ITEM NO.	FINISH
<b>CRU7ECSA</b>	Satin Anodized
<b>CRU7ECMB</b>	Matte Black
<b>CRU7ECM</b>	Mill Aluminum

Minimum Order: 1 Each.

### FHC Wall Mount End Caps for CRU7 Aluminum Cap Rail

- Wall Mount End Cap for CRU7 Cap Rail
- Includes 1/4" x 2" Lag Bolt With Nylon Grommet
- Adhere With LT32629 Cement and LT7649 Primer (See Pg. 53)
- Custom Fabrication Available, Contact FHC Technical Sales for More Information



ITEM NO. **WMBOLT1**  
Mounting Bolt and Spacer  
Minimum Order 1 Each

**FOR CRU7 ALUMINUM CAP RAIL**

ITEM NO.	FINISH
<b>CRU7WCESA</b>	Satin Anodized
<b>CRU7WCMB</b>	Matte Black
<b>CRU7WCM</b>	Mill Aluminum

Minimum Order: 1 Each.

### FHC CRU7 Aluminum Cap Rail Connector Sleeves

- Used With CRU7 Aluminum Cap Rail
- 5" Long Internal Connector Used to Align Cap Rails
- Mill Stainless Steel
- Adhere With LT32629 Cement and LT7649 Primer (See Pg. 53)



ITEM NO.	DESCRIPTION
<b>CRU7CSM</b>	For CRU7 Aluminum Cap Rail

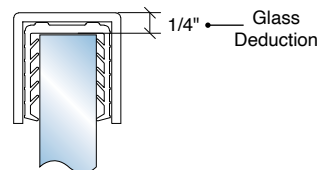
Minimum Order: 1 Each.

### FHC Rubber Gasket for CRU7 Aluminum Cap Rail

- Securely Attaches Glass to Cap Rail
- 20' Length
- High Quality EPDM Rubber

ITEM NO.	DESCRIPTION
<b>CRV2RL</b>	For 11/16" and 3/4" Glass

Minimum Order: 1 Roll.



visit [fhc-usa.com](http://fhc-usa.com) to search for

Cap Rail



Enter the Item Number or scan QR code with your smartphone for complete product details



4361 Firestone Blvd. South Gate, CA 90280  
Toll Free: (888) 295-4531 | Direct: (323) 968-2031  
Fax: (323) 336-8307 | [fhc-usa.com](http://fhc-usa.com)



## FHC Cap Rail Edge Protector

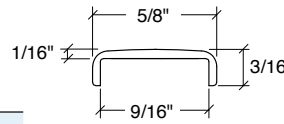
### FHC CRE12 Aluminum Cap Rail Edge Protector



- For 1/2" to 9/16" Glass
- Protects The Top Edge of Exposed Glass
- Adhere With Very High Bond Tape or Silicone
- Available in Two Architectural Finishes and Mill Aluminum
- Sold in 120" Lengths

ITEM NO.	LENGTH	FINISH
CRE12SA	120"	Satin Anodized
CRE12MB	120"	Matte Black
CRE12M	120"	Mill Aluminum

Minimum Order: 1 Each. Must Ship Common Carrier.



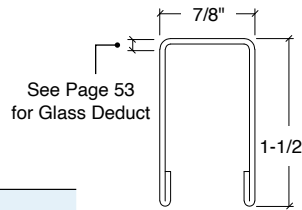
### FHC CREC5 Top Cap Edge Protector for Railing/Windscreen

- For 1/2", 9/16" or 5/8" Glass
- Top Cap Glass Edge Protector
- Available in Two Architectural Finishes
- 304 Alloy Stainless Steel
- 7/8" x 1-1/2" U-Channel
- End Caps and Glass Rubber Gasket Sold Separately
- 120" Long

- Custom Fabrication Available. Contact FHC Technical Sales for More Information

ITEM NO.	LENGTH	FINISH
CREC5BS	120"	Brushed Stainless
CREC5PS	120"	Polished Stainless

Minimum Order: 1 Each. Must Ship Common Carrier.



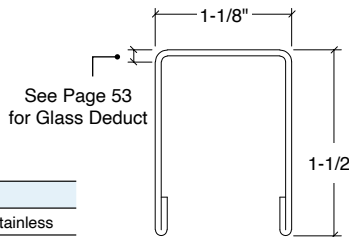
### FHC CREC7 Top Cap Edge Protector for Railing/Windscreen

- For 11/16" or 3/4" Glass
- Available in Two Architectural Finishes
- 304 Alloy Stainless Steel
- 1-1/8" x 1-1/2" U-Channel
- End Caps and Glass Rubber Gasket Sold Separately

- Custom Fabrication Available. Contact FHC Technical Sales for More Information

ITEM NO.	LENGTH	FINISH
CREC7BS	120"	Brushed Stainless
CREC7PS	120"	Polished Stainless

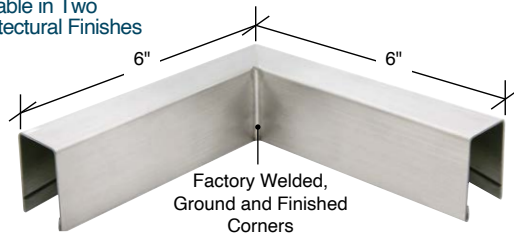
Minimum Order: 1 Each. Must Ship Common Carrier.



### FHC 90 Degree Horizontal U-Shaped Edge Top Cap Edge Protector

- Pre-Fabricated 90 Degree Horizontal Corner
- 6" x 6" O.D. Outer Legs
- 304 Alloy Stainless Steel
- Available in Two Architectural Finishes

- Custom Fabrication Available, Contact FHC Technical Sales for More Information



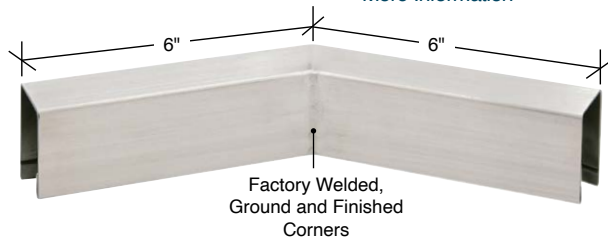
FOR 1/2", 9/16", & 5/8" GLASS ITEM NO.	FOR 11/16" & 3/4" GLASS ITEM NO.	FINISH
CREC5HBS	CREC7HBS	Brushed Stainless
CREC5HPS	CREC7HPS	Polished Stainless

Minimum Order: 1 Each.

### FHC 135 Degree Horizontal U-Shaped Edge Top Cap Protector

- Pre-Fabricated 135 Degree Horizontal Corner
- 6" x 6" O.D. Outer Legs
- 304 Alloy Stainless Steel

- Available in Two Architectural Finishes
- Custom Fabrication Available, Contact FHC Technical Sales for More Information



FOR 1/2", 9/16", & 5/8" GLASS ITEM NO.	FOR 11/16" & 3/4" GLASS ITEM NO.	FINISH
CREC5H3BS	CREC7H3BS	Brushed Stainless
CREC5H3PS	CREC7H3PS	Polished Stainless

Minimum Order: 1 Each.



THE GLAZING SUPPLY COMPANY  
EXPERIENCE AND INNOVATION



visit [fhc-usa.com](http://fhc-usa.com) to search for

Cap Rail



Enter the Item Number or scan QR code with your smartphone for complete product details

## FHC Cap Rail Edge Protector

### FHC U - Shaped Top Cap Edge Protector End Caps

- For CREC5 and CREC7 Cap Rail
- 304 Alloy Stainless-Steel
- Available in Two Architectural Finishes
- Adhere With LT32629 Cement and LT7649 Prime (See Below)

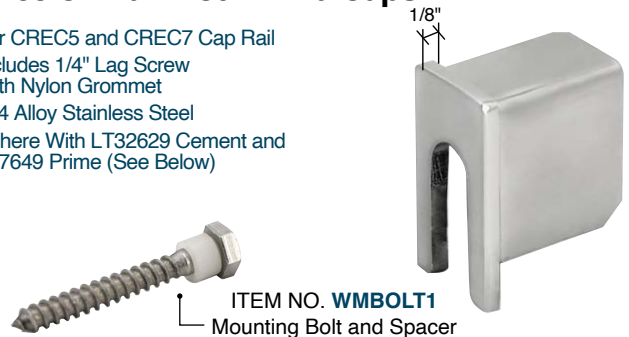


FOR 1/2", 9/16", & 5/8" GLASS ITEM NO.	FOR 11/16" & 3/4" GLASS ITEM NO.	FINISH
CREC5ECBS	CREC7ECBS	Brushed Stainless
CREC5ECPS	CREC7ECPS	Polished Stainless

Minimum Order: 1 Each.

### FHC U - Shaped Top Cap Edge Protector Wall Mount End Caps

- For CREC5 and CREC7 Cap Rail
- Includes 1/4" Lag Screw With Nylon Grommet
- 304 Alloy Stainless Steel
- Adhere With LT32629 Cement and LT7649 Prime (See Below)



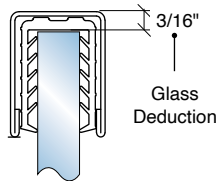
ITEM NO. **WMBOLT1**  
Mounting Bolt and Spacer  
Minimum Order 1 Each

FOR 1/2", 9/16", & 5/8" GLASS ITEM NO.	FOR 11/16" & 3/4" GLASS ITEM NO.	FINISH
CREC5WCBS	CREC7WCBS	Brushed Stainless
CREC5WCPS	CREC7WCPS	Polished Stainless

Minimum Order: 1 Each.

### FHC Rubber Gasket for CREC5 Top Edge Protector

- Securely Attaches Glass to Top Cap
- 20' Length
- High Quality EPDM Rubber

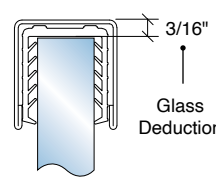


ITEM NO.	DESCRIPTION
CRV1RL	For 1/2" and 9/16" Glass

Minimum Order: 1 Roll.

### FHC Rubber Gasket for CREC7 Top Edge Protector

- Securely Attaches Glass to Top Cap
- 20' Length
- High Quality EPDM Rubber



ITEM NO.	DESCRIPTION
CRV2RL	For 11/16" and 3/4" Glass

Minimum Order: 1 Roll.

### Loctite® Metal Contact Cement

- Delivers Great Performance with a Shear Strength of 2200 PSI and Tensile Strength of 4900 PSI
- Provides a 60 Second Fixture Time
- 24 Hr Cure Time
- 50 ML Bottle



ITEM NO. **LT32629**  
Minimum Order 1 Each

### Loctite® 60 Second Primer



- 60 Second Activation Time
- For Use With Item No. LT32629
- 1.75 Fl Oz Bottle/75

ITEM NO. **LT7649**  
Minimum Order 1 Each

Loctite is a registered trademark of Henkel Corporation.

### FHC Abrasive Finishing Hand Pads

- 6" x 9" Fine Grit Finishing Pads
- Two Styles to Select From: Fine and Coarse
- Great for Hand Cleaning, Finishing and Blending Brushed Stainless Steel Finishes
- Deburrs Metal Edges



ITEM NO.	DESCRIPTION
FHCFP1	Fine Grit Abrasive (Red)
FHCAP2	Coarse Grit Abrasive (Brown)

Minimum Order: 1 Each.

visit [fhc-usa.com](http://fhc-usa.com) to search for

Cap Rail



Enter the Item Number or scan QR code with your smartphone for complete product details



4361 Firestone Blvd. South Gate, CA 90280  
Toll Free: (888) 295-4531 | Direct: (323) 968-2031  
Fax: (323) 336-8307 | [fhc-usa.com](http://fhc-usa.com)



FHC Railing Customization Services

# FHC Custom Fabricated Railing Components

- Customization Service to Meet Your Project Specific Needs
- In-House Fabrication
- Fabricate Aluminum, Stainless and Brass
- Custom Length Cap Rail & Cap Rail Corners
- Custom Length Handrail & Handrail Corners
- Custom Cladding Shapes

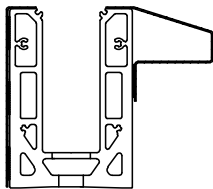


FHC has a full staff of engineers and designers, who enjoy working with our customers to create what their imaginations have conceived. Give FHC a chance to personalize your next project through the creation of Custom Railing Hardware to reflect your or your client's vision. We have years of combined experience designing and creating railing systems for all types and sizes of businesses and projects.

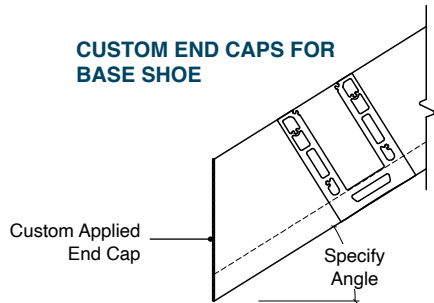
We pride ourselves on creating custom products quickly, here in the U.S.A. And best of all, within budget. Do not hesitate to contact our Business Development Team at **888-295-4531** or at [railings@fhc-usa.com](mailto:railings@fhc-usa.com) to discuss Railing Hardware requiring design and custom fabrication.



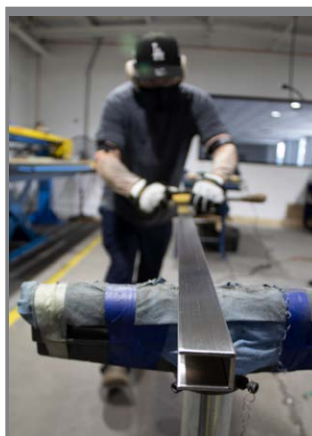
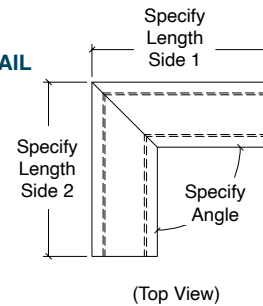
CUSTOM CLADDING



CUSTOM END CAPS FOR BASE SHOE



CUSTOM CAP RAIL CORNERS



THE GLAZING SUPPLY COMPANY  
EXPERIENCE AND INNOVATION



visit [fhc-usa.com](http://fhc-usa.com) to search for

Manufacturing

or enter the Item Number or scan QR code with your smartphone for complete product details



PROFESSIONAL GRADE

# Section 3

FHC FRAMELESS POINT SUPPORTED RAILING STANDOFF SYSTEMS

Pages 55 to 62

- FHC Round Standoff Bases
- FHC Square Standoff Bases
- FHC Standoffs With Mounting Plates
- FHC Round Caps
- FHC Square Caps
- FHC Line of Accessories

Chat With FHC On Our Website to Get Real Time Expert Support from Knowledgeable Reps

Chat With Us!



**THE GLAZING SUPPLY COMPANY**  
EXPERIENCE AND INNOVATION

4361 Firestone Blvd. South Gate, CA 90280  
Toll Free: (888) 295-4531 | Direct: (323) 968-2031  
Fax: (323) 336-8307 | fhc-usa.com

**FHC**<sup>®</sup>  
FRAMELESS HARDWARE COMPANY

# FHC Frameless Point Supported Railing Standoff Systems

- 2" Diameter or Square Standoff Designs
- 316 Grade Stainless Steel for Interior and Exterior Applications
- For 1/2" to 13/16" Thick Tempered Glass
- Three Architectural Finishes Available
- Can be Custom Manufactured to Meet Your Specifications

CSI DIVISION 05

SECTION

05 7300

FHC Frameless Point Supported Glass Railing Standoff Systems offer a modern aesthetic, and are architecturally desirable to designers and property owners for a wide variety of applications. Our point-supported glass railing systems side mount to a balcony/stair using either a steel back plate, or for a minimalist design, the standoff body. They are designed to hold 1/2" to 13/16" thick, tempered or laminated glass panels in place, giving the appearance of floating glass. Made from 316 stainless steel, our Frameless Point Supported Railing Standoffs are intended for both interior and exterior applications offering a clean, contemporary high-end look with unobstructed views with added safety, and will hold up against the elements.

For more information about our Frameless Point Supported Glass Railing Standoff Systems, or to get a quote for your project, contact our Business Development Team at (888) 295-4531 or via email at [ralings@fhc-usa.com](mailto:ralings@fhc-usa.com). We look forward to assisting you with your railing design.



PROFESSIONAL GRADE



**FHC**<sup>®</sup>  
FRAMELESS HARDWARE COMPANY

THE GLAZING SUPPLY COMPANY  
EXPERIENCE AND INNOVATION

visit [fhc-usa.com](http://fhc-usa.com) to search for

Rail Standoffs




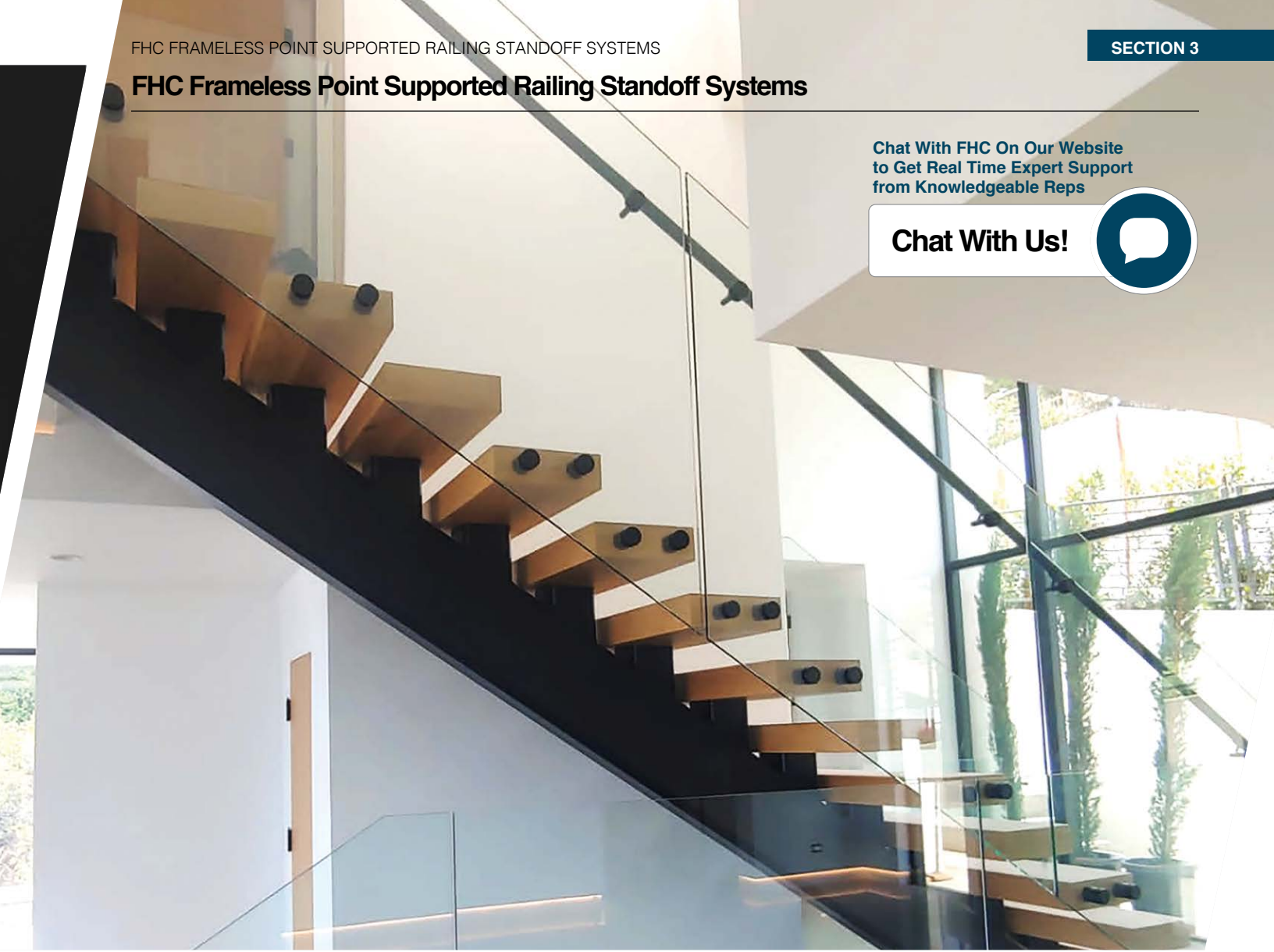
Enter the Item Number or scan QR code with your smartphone for complete product details



# FHC Frameless Point Supported Railing Standoff Systems

Chat With FHC On Our Website to Get Real Time Expert Support from Knowledgeable Reps

**Chat With Us!** 



visit [fhc-usa.com](http://fhc-usa.com) to search for

**Rail Standoffs**

Enter the Item Number or scan QR code with your smartphone for complete product details



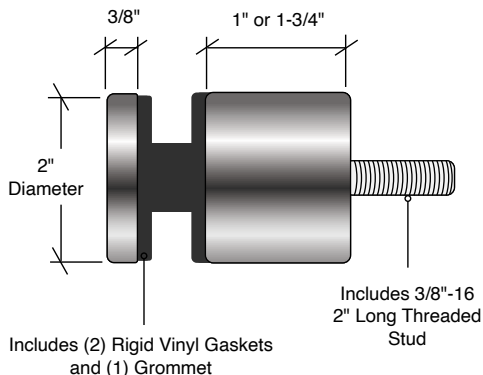
4361 Firestone Blvd. South Gate, CA 90280  
 Toll Free: (888) 295-4531 | Direct: (323) 968-2031  
 Fax: (323) 336-8307 | [fhc-usa.com](http://fhc-usa.com)



## FHC Frameless Point Supported Railing Standoff Systems

### FHC Glass Railing Round Standoff Base With Cap

- For 1/2" to 13/16" Tempered Glass
- 2" Diameter
- Drilled and Tapped for 3/8"-16 Fastener
- 316 Grade Stainless Steel
- Can be Custom Manufactured to Your Specifications
- Requires One 3/4" (19 mm) Diameter Hole in Glass



ITEM NO. **RS2X134**



ITEM NO. **RS2X1**

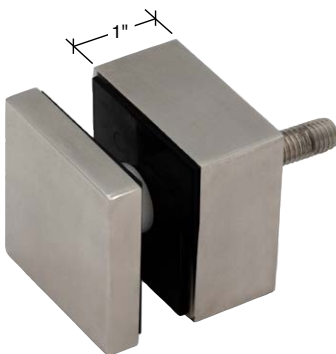
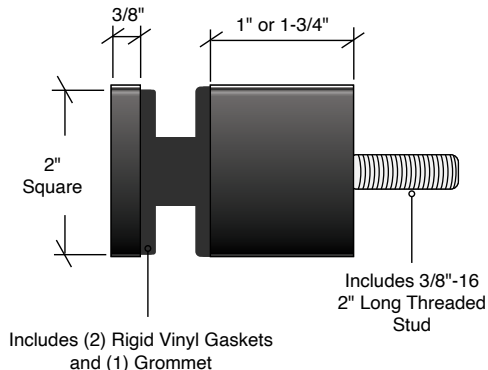
See Pages 60 - 61 for Replacement Caps, Grommets & Anchors

1" LENGTH ITEM NO.	1-3/4" LENGTH ITEM NO.	FINISH
RS2X1BS	RS2X134BS	Brushed Stainless
RS2X1PS	RS2X134PS	Polished Stainless
RS2X1MB	RS2X134MB	Matte Black

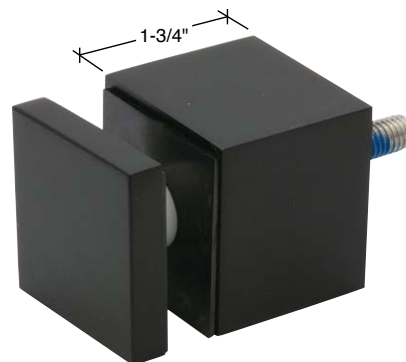
Minimum Order: 1 Each.

### FHC Glass Railing Square Standoff Base With Cap

- For 1/2" to 13/16" Tempered Glass
- 2" Square
- Two-Piece Cap Design Ensures Proper Alignment With Standoff Base
- Drilled and Tapped for 3/8"-16 Fastener
- 316 Grade Stainless Steel
- For 1/2" to 13/16" Thick Tempered Glass
- Can Be Custom Manufactured to Your Specifications
- Requires One 3/4" (19 mm) Diameter Hole in Glass



ITEM NO. **SS2X1**



ITEM NO. **SS2X134**

See Pages 60 - 61 for Replacement Caps, Grommets & Anchors

1" LENGTH ITEM NO.	1-3/4" LENGTH ITEM NO.	FINISH
SS2X1BS	SS2X134BS	Brushed Stainless
SS2X1PS	SS2X134PS	Polished Stainless
SS2X1MB	SS2X134MB	Matte Black

Minimum Order: 1 Each.



**THE GLAZING SUPPLY COMPANY**  
EXPERIENCE AND INNOVATION



visit [fhc-usa.com](http://fhc-usa.com) to search for

**Rail Standoffs**



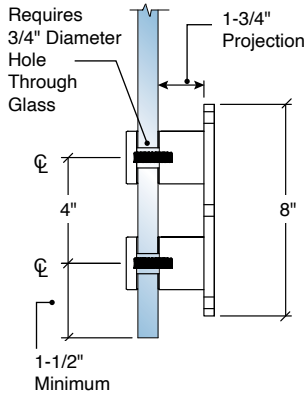
Enter the Item Number or scan QR code with your smartphone for complete product details

# FHC Frameless Point Supported Railing Standoff Systems

## FHC Glass Railing Round Standoffs With Mounting Plate

- For 1/2" to 13/16" Tempered Glass
- 4" x 8" Wall Mount Plate With 2" Diameter Standoffs Spaced 4" Center-to-Center
- 1-3/4" Standoff Length
- 316 Grade Stainless Steel
- Includes Caps, Rigid Vinyl Gaskets and Grommets
- Can be Custom Manufactured to Your Specifications
- Requires Two 3/4" (19 mm) Diameter Holes in Glass

See Pages 60 - 61 for Replacement Caps, Gaskets, Grommets & Anchors



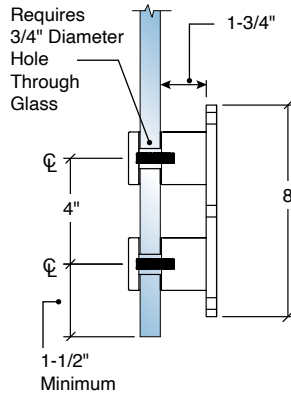
ITEM NO.	FINISH
RS20BS	Brushed Stainless
RS20PS	Polished Stainless
RS20MB	Matte Black

Minimum Order: 1 Each.

## FHC Glass Railing Square Standoffs With Mounting Plate

- For 1/2" to 13/16" Tempered Glass
- 4" x 8" Wall Mount Plate With 2" Square Standoffs Spaced 4" Center-to-Center
- 1-3/4" Standoff Length
- 2-Piece Cap Design Ensures Proper Alignment With Standoff Base
- 316 Grade Stainless Steel
- Can be Custom Manufactured to Your Specifications
- Requires Two 3/4" (19 mm) Diameter Holes in Glass

See Pages 60 - 61 for Replacement Caps, Gaskets, Grommets & Anchors



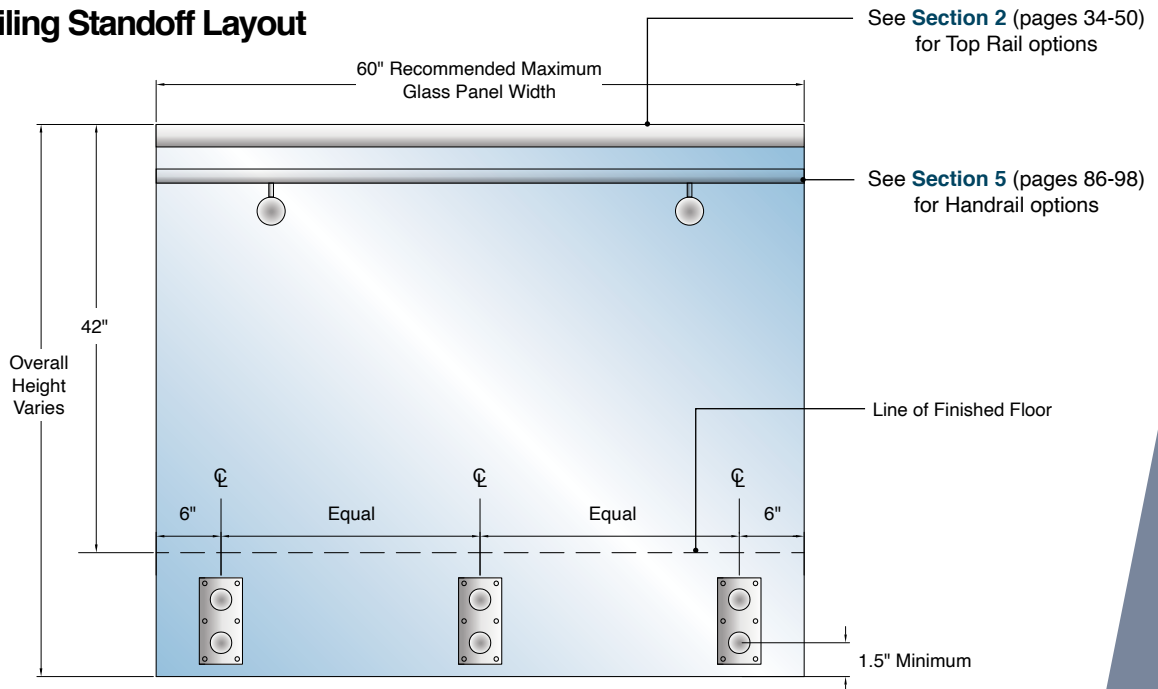
(6) 7/16" Dia. Mounting Holes. Anchor Bolts Sold Separately (See Page 61)



ITEM NO.	FINISH
SS20BS	Brushed Stainless
SS20PS	Polished Stainless
SS20MB	Matte Black

Minimum Order: 1 Each.

## Typical Railing Standoff Layout



See Section 2 (pages 34-50) for Top Rail options

See Section 5 (pages 86-98) for Handrail options

visit [fhc-usa.com](http://fhc-usa.com) to search for

Rail Standoffs



Enter the Item Number or scan QR code with your smartphone for complete product details



4361 Firestone Blvd. South Gate, CA 90280  
 Toll Free: (888) 295-4531 | Direct: (323) 968-2031  
 Fax: (323) 336-8307 | [fhc-usa.com](http://fhc-usa.com)



## FHC Frameless Point Supported Railing Standoff Systems

### FHC Round Replacement Cap for Glass Railing Standoff

- 2" Outside Diameter
- Used With FHC Standoff Railing System
- 316 Grade Stainless Steel



**Each Cap Assembly Includes:**

- 1 Each Cap
- 1 Each 3/8"-16 Allen Screw
- 1 Each Grommet
- 2 Each Black Rigid Vinyl Gaskets

**FHC 2" DIAMETER REPLACEMENT CAP**

ITEM NO.	FINISH
RSCAP2BS	Brushed Stainless
RSCAP2PS	Polished Stainless
RSCAP2MB	Matte Black

Minimum Order: 1 Each.

### FHC Square Replacement Cap for Glass Railing Standoff

- 2" x 2" Square
- Used With FHC Standoff Railing System
- 316 Grade Stainless Steel



**Each Cap Assembly Includes:**

- 1 Each Cap (Two-Piece Design)
- 1 Each 3/8"-16 Allen Screw
- 1 Each Grommet
- 2 Each Black Rigid Vinyl Gaskets

**FHC 2" SQUARE REPLACEMENT CAP**

ITEM NO.	FINISH
SSCAP2BS	Brushed Stainless
SSCAP2PS	Polished Stainless
SSCAP2MB	Matte Black

Minimum Order: 1 Each.

### FHC 2" Diameter Replacement Gasket & Grommet Set

- Used With FHC Round Standoffs
- Includes Two Gaskets and One Grommet
- Available in Neoprene or Rigid Vinyl



5/8" Diameter O.D.

ITEM NO.	DESCRIPTION
RSRG1	Neoprene Material
RSRG1V	Rigid Vinyl Material

Minimum Order: 1 Pack.

### FHC 2" x 2" Square Replacement Gasket & Grommet Set

- 2" x 2" Square Black Neoprene Gaskets
- 5/8" Diameter Grommet
- Used with FHC 2" Square Standoffs
- Includes Two Gaskets and One Grommet
- Available in Neoprene or Rigid Vinyl



5/8" Diameter O.D.

ITEM NO.	DESCRIPTION
SSRG1	Neoprene Material
SSRG1V	Rigid Vinyl Material

Minimum Order: 1 Pack.

### FHC Cap Wrench for 2" Diameter Standoffs

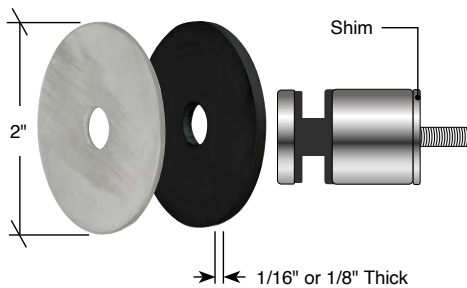
- Used to Loosen or Tighten 2" Standoff Caps



ITEM NO. **RSW2**  
Minimum Order 1 Each

### FHC Shims for Glass Rail Standoffs

- 2" Outside Diameter
- Used to Shim and Align Standoffs
- For FHC Standoff Railing System
- Available in Two Sizes: 1/16" and 1/8" Thick
- 10 Shims Per Pack



1/16" THICKNESS ITEM NO.	1/8" THICKNESS ITEM NO.	FINISH
RS16BS	RS18BS	Brushed Stainless
RS16PS	RS18PS	Polished Stainless
RS16MB	RS18MB	Matte Black

Minimum Order: 1 Pack.

### FHC Standoff Railing Trim Rings

- Used With 2" Diameter Standoffs
- 3" Outside Diameter
- 1/8" Thickness



Trim Ring (Standoff Base and Cap Sold Separately)

ITEM NO.	FINISH
RSTR2BS	Brushed Stainless
RSTR2PS	Polished Stainless
RSTR2MB	Matte Black

Minimum Order: 1 Each.



**THE GLAZING SUPPLY COMPANY**  
EXPERIENCE AND INNOVATION



visit [fhc-usa.com](http://fhc-usa.com) to search for

**Rail Standoffs**

Enter the Item Number or scan QR code with your smartphone for complete product details

# FHC Frameless Point Supported Railing Standoff Systems

## Hilti® KH-EZ CRC Screw Anchor Galvanized Exterior Grade

- 3/8" x 4" Screw Anchor
- Carbon Steel, Mechanically Galvanized
- For Use On Indoor and Outdoor Installations
- Used to Attach Railings and Guardrails to Concrete Substrate



ITEM NO. **CRC38X4**  
Minimum Order 1 Pack  
(50 Per Pack)

## FHC 3/8" Diameter Stainless Steel Lag Bolt

- For Attaching to Wooden Substrates
- Recommended for Interior or Exterior Applications
- For Commercial and Residential Applications



ITEM NO.	LENGTH
LB384SS	4"
LB386SS	6"

Minimum Order: 1 Pack.

## Hilti® Kwik HUS-EZ Screw Anchor Carbon Steel Interior Grade

- 3/8" x 4" Screw Anchor
- Time-Saving and Easy to Install With No Need for Accurate Torque
- Fully-Removable Screw Anchoring Solution
- For Use on Indoor Installations
- Used to Attach Railings and Guardrails to Concrete Substrate



ITEM NO. **HSA38X4**  
Minimum Order 1 Pack  
(50 Per Pack)

## Hilti® Kwik Bolt TZ Concrete Expansion Anchors

- 3/8" x 3-3/4" Concrete Expansion Anchor
- Carbon Steel, Zinc-Plated-Interior
- Stainless Steel-Exterior
- For Fastening Hand Rails, Structural Steel, Facades, Mechanical Equipment and Racks



ITEM NO.	DESCRIPTION
HCA38X334	3/8" x 3-3/4" KB-TZ Interior Grade - 50/Box
HCA38X334S	3/8" x 3-3/4" Stainless Steel KB-TZ - 50/Box

Minimum Order: 1 Pack.

## Hilti® TE-CX Carbide Head Hammer Drill Bit - 3/8" x 12"

- 3/8" Diameter
- 10" Working Length; 12" Overall Length Concrete and Masonry Drill Bit
- Great for Installing Glass Railings into Concrete Substrates
- Used to Drill Anchor Holes in Reinforced and Unreinforced Concrete
- Can Also Drill Holes for Post-Installed Rebar Connections
- Tungsten Carbide Head



ITEM NO. **TECX38**  
Minimum Order 1 Each

## Loctite® Threadlocker

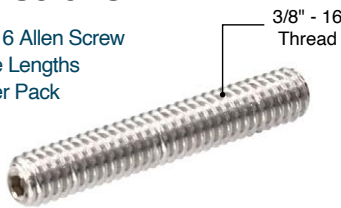
- Medium Strength
- Locks Threads and Prevents Loosening
- Fights Corrosion
- Tensile Strength of 110 PSI
- Minimum to Maximum Operating Temperatures are -65° F to + 300° F
- Comes in a 9g Stick



ITEM NO. **LT37684**  
Minimum Order 1 Each

## FHC Stainless Steel Allen Screws

- 3/8"-16 Allen Screw
- Three Lengths
- 10 Per Pack



ITEM NO.	LENGTH	THREAD SIZE
AS38X1	1" Long	3/8"-16
AS38X112	1-1/2" Long	3/8"-16
AS38X2	2" Long	3/8"-16

Minimum Order: 1 Pack.

## FHC Hanger Bolts

- 10 Per Pack
- Two Lengths
- For Wood Installations



ITEM NO.	LENGTH	THREAD SIZE
HB38X212	2-1/2" Long	3/8"-16 Thread
HB38X3	3" Long	3/8"-16 Thread

Minimum Order: 1 Pack.

## FHC Socket Head Cap Screw

- 3/8"-16 x 3/4" Long
- 10 Per Pack
- 304 Grade Stainless



ITEM NO. **SHS38X34**  
Minimum Order 1 Pack

Loctite is a registered trademark of Henkel corporation.  
Hilti is a registered trademark of Hilti Aktiengesellschaft Corporation.

visit [fhc-usa.com](http://fhc-usa.com) to search for

Rail Standoffs



Enter the Item Number or scan QR code with your smartphone for complete product details



4361 Firestone Blvd. South Gate, CA 90280  
Toll Free: (888) 295-4531 | Direct: (323) 968-2031  
Fax: (323) 336-8307 | [fhc-usa.com](http://fhc-usa.com)



## FHC Frameless Point Supported Railing Standoff Systems

# FHC Standoff Systems

Our line of 3/4" and 1-1/4" Diameter Standoffs are available in three of the most popular architectural finishes; Brushed Stainless, Polished Stainless and Matte Black. Use these glass connectors to design exquisite retail, commercial, and residential projects. Typical installations include, hanging pictures or signage, on walls, elevated glass table tops, to hang infill panels between two posts, to create partitions. The end results are only limited to one's imagination. Visit [fhc-usa.com](http://fhc-usa.com) for product details.

### Available Finishes



BRUSHED STAINLESS

POLISHED STAINLESS

MATTE BLACK



3/4" and 1-1/4" Round Stand Bases Available in Multiple Heights



1-1/4" Diameter Edge Grips for 1/4", 3/8" and 1/2" Glass



1-1/4" Diameter Slot Mount Standoffs for 1/4", 3/8" and 1/2" Glass



Spanner Wrench for 3/4" to 1-1/4" Cap Assemblies



3/4" and 1-1/4" Low Profile Cap Assemblies



3/4" and 1-1/4" Standard Cap Assemblies



Flush Mount Cap Assemblies for 1-1/4" Standoffs

### FHC Standoff Installation Steps



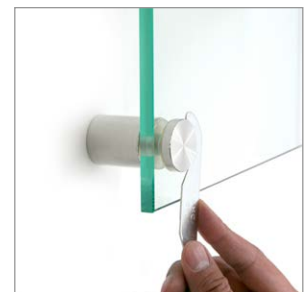
Attached Screw Thread to Wall or Substrate Using Appropriate Anchors



Thread Standoff Base onto Screw



Align Hole in Panel With Hole in the Standoff Base



Attach Standoff Cap Finger Tight, Then "Snug" Tight With Wrench



THE GLAZING SUPPLY COMPANY  
EXPERIENCE AND INNOVATION



visit [fhc-usa.com](http://fhc-usa.com) to search for

Standoffs

Enter the Item Number or scan QR code with your smartphone for complete product details



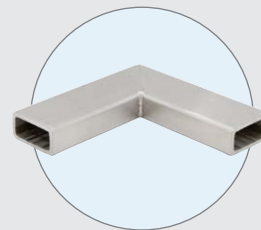
PROFESSIONAL GRADE

# Section 4

## FHC F-SERIES HEAVY-DUTY STAINLESS STEEL POST RAILING SYSTEMS

Pages 63 to 82

- FHC F1 Series 1.9" Diameter Posts
- FHC F2 Series 2" Square Posts
- FHC F3 Series 1" x 2" Narrow Rectangular Posts
- FHC Fixed & Swivel Brackets
- FHC Glass Clamps
- FHC Top Rails & Accessories



Chat With FHC On Our Website to Get Real Time Expert Support from Knowledgeable Reps

Chat With Us!



**THE GLAZING SUPPLY COMPANY**  
EXPERIENCE AND INNOVATION

4361 Firestone Blvd. South Gate, CA 90280  
Toll Free: (888) 295-4531 | Direct: (323) 968-2031  
Fax: (323) 336-8307 | fhc-usa.com

**FHC**<sup>®</sup>  
FRAMELESS HARDWARE COMPANY

# FHC F-Series Heavy-Duty Stainless Steel Post Railing Systems

- Standard 42" Post Heights Kits
- Available in Brushed or Polished Stainless Steel
- Can Be Custom Powder Coated
- Can Be Made to Order for Stair and Custom Height Applications
- Components Available to Build Post in the Field
- Designed to Be Used With Flat or Round Top Rail

CSI DIVISION 05

SECTION

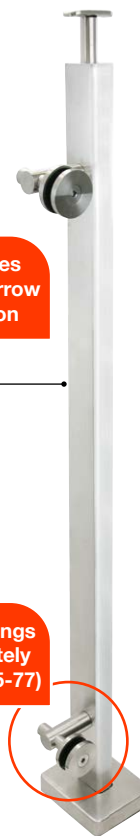
05 7000



**F1 Series**  
1.9" Diameter  
Guardrail Post



**F2 Series**  
2" Square  
Guardrail Post



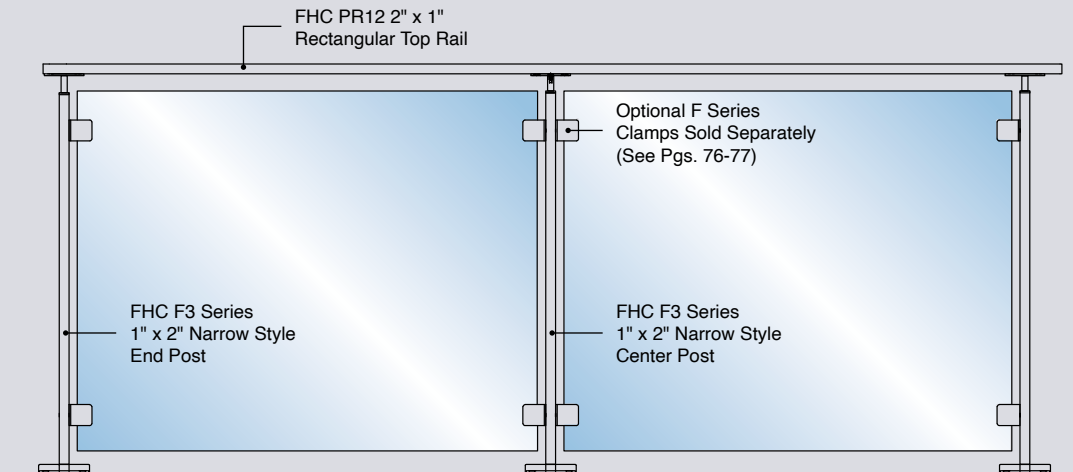
**F3 Series**  
1" x 2" Narrow Rectangular  
Guardrail Post

New F3 Series  
Innovative Narrow  
Profile Option

All Glass Fittings  
Sold Separately  
(See Pages 75-77)

PROFESSIONAL GRADE

## FHC F-Series Heavy-Duty Stainless Steel Post Railing System Typical Elevation



THE GLAZING SUPPLY COMPANY  
EXPERIENCE AND INNOVATION



visit [fhc-usa.com](http://fhc-usa.com) to search for

Railing Posts



Enter the Item Number or scan QR code with your smartphone for complete product details



# FHC F-Series Railing Post Kits

## FHC F-Series Railing Component Options

### Top Post Options



Post Cap



Fixed Stem



Swivel Stem

F2 Series Shown

### Glass Fitting Options



Swivel Brackets



Glass Clamps



Fixed Brackets

### Post Profile Options



1.9" Diameter  
Guardrail Post



2" Square  
Guardrail Post



1" x 2" Narrow Rectangular  
Guardrail Post

### Mounting Options



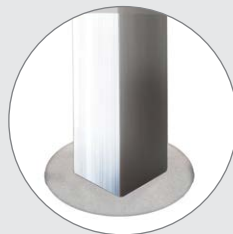
Welded Flange



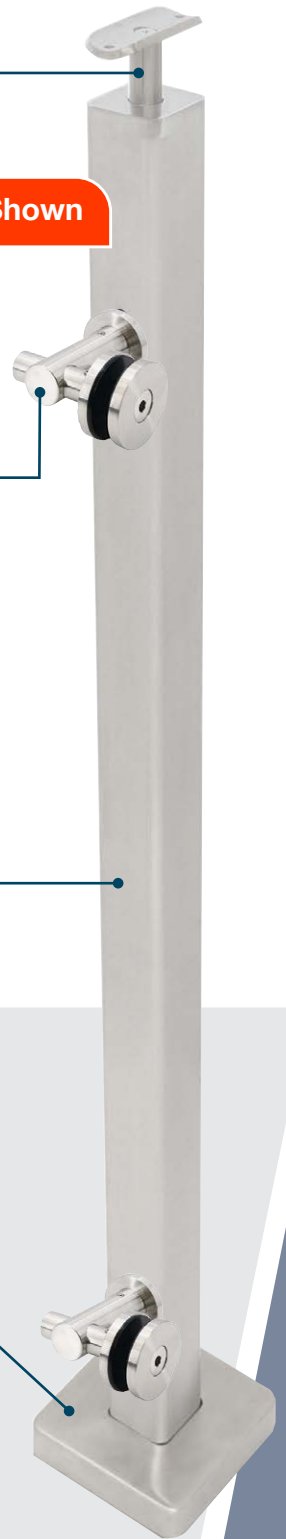
Post Stanchion



Fascia Bracket



Embed Core Mount



visit [fhc-usa.com](http://fhc-usa.com) to search for

Railing Posts



Enter the Item Number or scan QR code with your smartphone for complete product details



4361 Firestone Blvd. South Gate, CA 90280  
Toll Free: (888) 295-4531 | Direct: (323) 968-2031  
Fax: (323) 336-8307 | [fhc-usa.com](http://fhc-usa.com)



## FHC F1 Series Railing Post Kits

### FHC F1 Series Blank Railing Posts

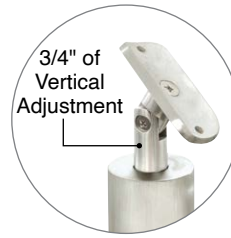
- 1.9" Outside Diameter
- 54" Tall Blank Post Includes Adjustable Height Fixed or Swivel Stem With Saddle
- No Additional Welding Necessary
- Blank Post Designed to Be Cut and Fabricated in the Field
- Available in Brushed and Polished Stainless Steel Finishes
- Stanchions, Cover Plates, Fascia Bracket, and Glass Fittings Sold Separately



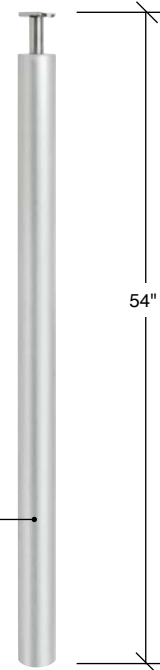
Blank Post Are Available With An Adjustable Height Fixed or Swivel Stem for Ramp or Stair Areas.



Fixed Stem and Saddle



Swivel Stem and Saddle



Blank Post With Fixed Stem Shown

#### FHC F1 SERIES BLANK POST WITH FIXED STEM AND SADDLE

ITEM NO.	DESCRIPTION	FINISH
F154FBS	1.9" Diameter Blank Post With Fixed Stem	Brushed Stainless
F154FPS	1.9" Diameter Blank Post With Fixed Stem	Polished Stainless

Minimum Order: 1 Each.

#### FHC F1 SERIES BLANK POST WITH SWIVEL STEM AND SADDLE

ITEM NO.	DESCRIPTION	FINISH
F154SBS	1.9" Diameter Blank Post With Swivel Stem	Brushed Stainless
F154SPS	1.9" Diameter Blank Post With Swivel Stem	Polished Stainless

Minimum Order: 1 Each.

### FHC F1 Series Railing Post Configurations

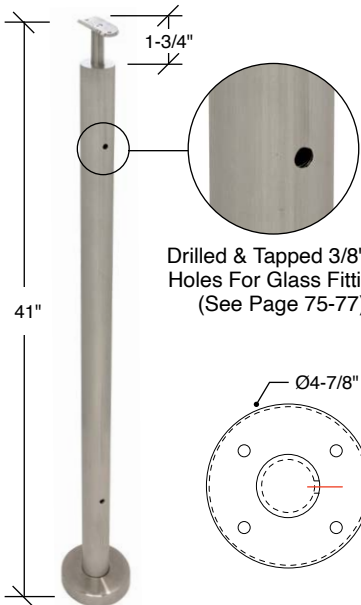
- 1.9" Outside Diameter
- Pre-Fabricated 42" Post Kit Includes Welded Flange, Cover Plates, Fixed Stem and Saddle
- Available in Brushed and Polished Stainless Steel Finishes
- Powder Coat Options Also Available

#### End Post Kit

#### 180 Degree Center Post Kit

#### 135 Degree Angle Post Kit

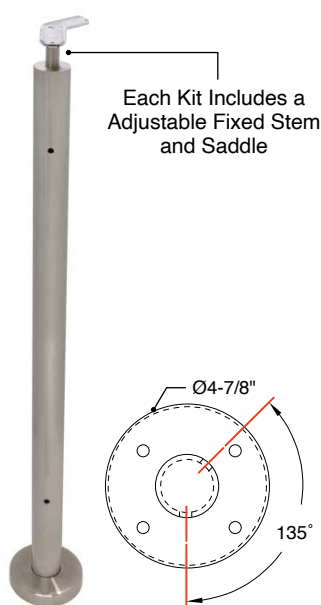
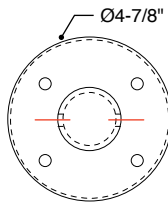
#### 90 Degree Corner Post Kit



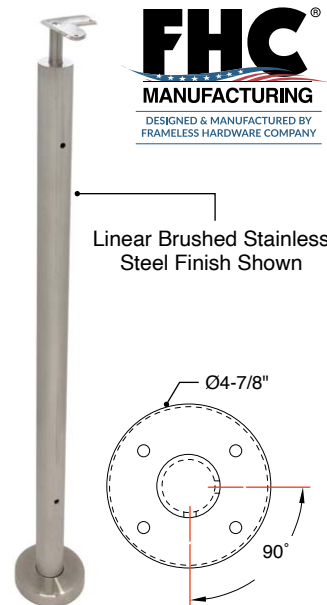
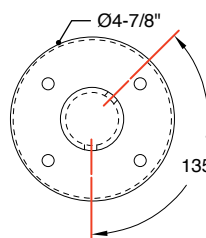
Drilled & Tapped 3/8"-16 Holes For Glass Fittings (See Page 75-77)



See Pages 75-77 For Glass Fitting Options



Each Kit Includes a Adjustable Fixed Stem and Saddle



Linear Brushed Stainless Steel Finish Shown



#### END POST KIT

ITEM NO.	FINISH
F1E42BS	Brushed Stainless
F1E42PS	Polished Stainless

Minimum Order: 1 Each.

#### 180 DEGREE CENTER POST KIT

ITEM NO.	FINISH
F1C42BS	Brushed Stainless
F1C42PS	Polished Stainless

Minimum Order: 1 Each.

#### 135 DEGREE ANGLE POST KIT

ITEM NO.	FINISH
F1A42BS	Brushed Stainless
F1A42PS	Polished Stainless

Minimum Order: 1 Each.

#### 90 DEGREE CORNER POST KIT

ITEM NO.	FINISH
F1942BS	Brushed Stainless
F1942PS	Polished Stainless

Minimum Order: 1 Each.



THE GLAZING SUPPLY COMPANY  
EXPERIENCE AND INNOVATION



visit [fhc-usa.com](http://fhc-usa.com) to search for

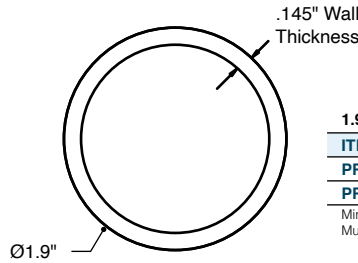
Railing Posts

Enter the Item Number or scan QR code with your smartphone for complete product details

## FHC F1 Series Railing Post Components

### FHC 1.9" O.D. Pipe Rail

- 1.9" Outside Diameter
- 240" Lengths
- Available In Two Architectural Finishes
- End Caps, Corners, Sleeves and Post Components Sold Separately
- Custom Fabrication Services Available. Contact FHC Technical Sales for a Quote
- 304 Grade Stainless Steel



1.9" O.D. PIPE RAIL 240" LONG

ITEM NO.	FINISHES
PR19BS	Brushed Stainless
PR19PS	Polished Stainless

Minimum Order: 1 Each.  
Must Ship Common Carrier.



### FHC Swivel Stem for 1.9" O.D. Pipe Rail

- 1-3/4" Tall Swivel Stem Ideal for Stair Installations
- 3/4" Vertical Adjustment
- Designed For Use With PR19 1.9" Round Pipe Rail
- Can Be Welded or Bonded Using Epoxy LT1324007 (See Page 74)
- Saddle Sold Separately
- 316 Grade Stainless Steel



ITEM NO.	FINISHES
PR19ASBS	Brushed Stainless
PR19ASPS	Polished Stainless

Minimum Order: 1 Each.

### FHC Fixed Stem for 1.9" O.D. Pipe Rail

- 1-3/4" Tall Fixed Stem
- 3/4" Vertical Adjustment
- Designed For Use With PR19 1.9" Round Pipe Rail
- Can Be Welded or Bonded Using Epoxy LT1324007 (See Page 74)
- Saddle Sold Separately
- 316 Grade Stainless Steel



ITEM NO.	FINISHES
PR19FSBS	Brushed Stainless
PR19FSPS	Polished Stainless

Minimum Order: 1 Each.

### FHC Concrete / Steel Mount Flange for 1.9" O.D. Pipe Rail

- 4-3/4" Diameter
- 3/8" Thick Mill 316 Grade Stainless Steel
- Designed to be Welded to PR19 1.9" O.D. Pipe Rail
- Used for Installations Onto Concrete
- Pre-Drilled with (2) 9/16" Diameter Holes



ITEM NO. PR19CF  
Minimum Order 1 Each

### FHC Wood Mount Flange for 1.9" O.D. Pipe Rail

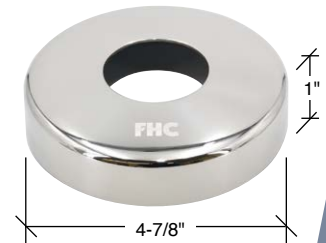
- 4-3/4" Diameter
- 3/8" Thick Mill Stainless
- Designed to be Welded to PR19 1.9" O.D. Pipe
- Used for Installations Into Wood
- Pre-Drilled with (4) 9/16" Diameter Holes
- 316 Grade Stainless Steel



ITEM NO. PR19WF  
Minimum Order 1 Each

### FHC Base Flange Cover Plate for 1.9" O.D. Pipe Rail

- Designed Fit Over PR19CF, PR19WF Flanges or PR19S Stanchion
- Use With FHC PR19BS 1.9" O.D. Pipe Rail
- 316 Grade Stainless Steel

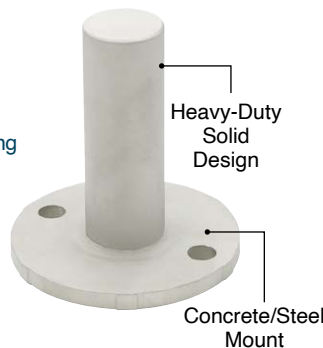


ITEM NO.	FINISH
PR19CVBS	Brushed Stainless
PR19CVPS	Polished Stainless

Minimum Order 1 Each

### FHC Surface Mount Post Stanchion

- For Use With PR19 1.9" Round Pipe 4-3/4" Diameter Base With Two Pre-Drilled Holes
- Stanchion Allows Installer to Fabricate Post Without Welding
- 5" Tall Stanchion
- Install Using Epoxy Item No. LT1324007 (See Page 74)
- 316 Grade Stainless Steel



ITEM NO. PR19S  
Minimum Order 1 Each

### FHC Post Caps for 1.9" O.D. Pipe Rail

- Used on PR19AS / PR19FS Simply Screws Into Posts Top When Stem Is Not Required
- 316 Alloy Stainless Steel



ITEM NO.	FINISH
PR19CAPBS	Brushed Stainless
PR19CAPPS	Polished Stainless

Minimum Order 1 Each

visit [fhc-usa.com](http://fhc-usa.com) to search for

Railing Posts



Enter the Item Number or scan QR code with your smartphone for complete product details



4361 Firestone Blvd. South Gate, CA 90280  
Toll Free: (888) 295-4531 | Direct: (323) 968-2031  
Fax: (323) 336-8307 | [fhc-usa.com](http://fhc-usa.com)



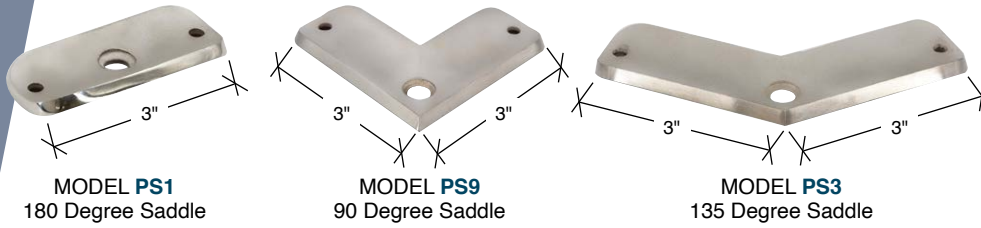
## FHC F1 Series Railing Post Components

### FHC Replacement Saddles for F1 Series Railing Post

- Designed to be Used With Fixed and Swivel Stems
- 90, 135, and 180 Degree Radius and Flat Saddles

- Radius Saddles Compatible With 1-1/2" to 2" Round Top Rail
- Available In Two Architectural Finishes
- Includes (2) #10-32 Handrail Mounting Screws
- 316 Grade Stainless Steel

### FHC Radius Saddles for Round Tubing

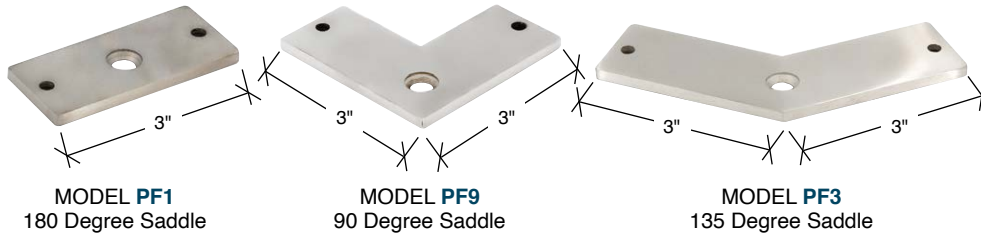


FHC RADIUS SADDLES

ITEM NO.	ANGLE	FINISH
PS1BS	180 Degree	Brushed Stainless
PS1PS	180 Degree	Polished Stainless
PS9BS	90 Degree	Brushed Stainless
PS9PS	90 Degree	Polished Stainless
PS3BS	135 Degree	Brushed Stainless
PS3PS	135 Degree	Polished Stainless

Minimum Order: 1 Each.

### FHC Flat Saddles for Square or Rectangular Tubing



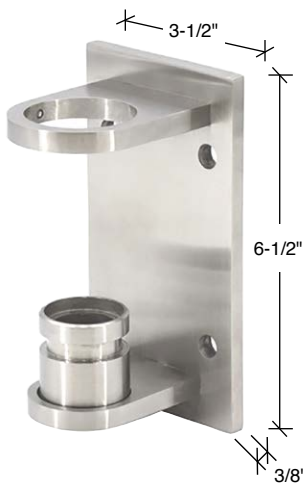
FHC FLAT SADDLES

ITEM NO.	ANGLE	FINISH
PF1BS	180 Degree	Brushed Stainless
PF1PS	180 Degree	Polished Stainless
PF9BS	90 Degree	Brushed Stainless
PF9PS	90 Degree	Polished Stainless
PF3BS	135 Degree	Brushed Stainless
PF3PS	135 Degree	Polished Stainless

Minimum Order: 1 Each.

### FHC 1.9" Round Post Fascia Bracket for Center or End

- Use With FHC PR19 1.9" O.D. Pipe Rail
- For Center or End Post Applications
- Pre-Drilled With (4) 7/16" Diameter Holes
- 3-1/2" Wide x 6-1/2" Tall Mounting Base, 3/8" Thick
- Available in Two Architectural Finishes



ITEM NO.	FINISH
FB19BS	Brushed Stainless
FB19PS	Polished Stainless

Minimum Order: 1 Each.

### FHC 1.9" Round Post Fascia Bracket for Inside 90 Degree Corner

- Use With FHC PR19 1.9" O.D. Pipe Rail
- For Inside 90 Degree Corner Applications
- Pre-Drilled With (4) 7/16" Diameter Holes
- Available in Two Architectural Finishes

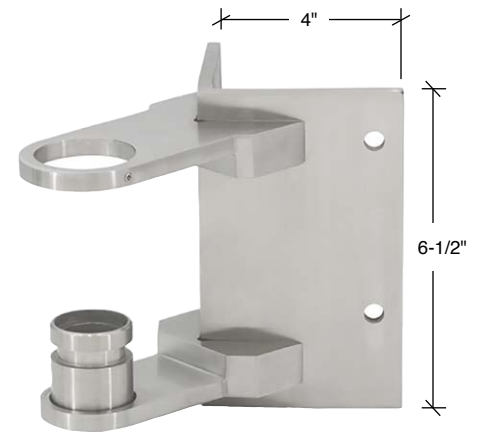


ITEM NO.	FINISH
FB191BS	Brushed Stainless
FB191PS	Polished Stainless

Minimum Order: 1 Each.

### FHC 1.9" Round Post Fascia Bracket for Outside 90 Degree Corner

- Use With FHC PR19 1.9" O.D. Pipe Rail
- For Outside 90 Degree Corner Applications
- Pre-Drilled With (4) 7/16" Diameter Holes
- Available in Two Architectural Finishes



ITEM NO.	FINISH
FB190BS	Brushed Stainless
FB190PS	Polished Stainless

Minimum Order: 1 Each.



THE GLAZING SUPPLY COMPANY  
EXPERIENCE AND INNOVATION



visit [fhc-usa.com](http://fhc-usa.com) to search for

Railing Posts



Enter the Item Number or scan QR code with your smartphone for complete product details

# FHC F2 Series Railing Post Kits

## FHC F2 Series Blank Railing Posts

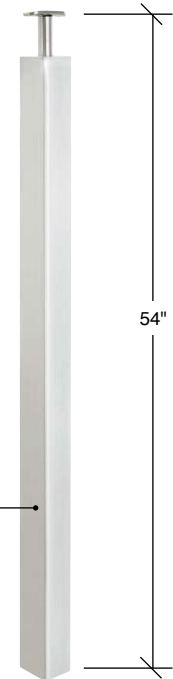
- 2" Square Profile
- 54" Tall Blank Post Includes Adjustable Height Fixed or Swivel Stem With Saddle
- No Additional Welding Necessary
- Blank Post Designed to Be Cut and Fabricated in the Field
- Available in Brushed and Polished Stainless Steel Finishes
- Stanchions, Cover Plates, Fascia Brackets and Glass Fittings Sold Separately.



Blank Post Are Available With An Adjustable Height Fixed or Swivel Saddle for Ramp or Stair Areas.

Fixed Stem and Saddle

Swivel Stem and Saddle



Blank Post With Fixed Stem Shown

### FHC F2 SERIES BLANK POST WITH FIXED STEM AND SADDLE

ITEM NO.	DESCRIPTION	FINISH
F254FBS	2" Square Blank Post With Fixed Stem	Brushed Stainless
F254FPS	2" Square Blank Post With Fixed Stem	Polished Stainless

Minimum Order: 1 Each.

### FHC F2 SERIES BLANK POST WITH SWIVEL STEM AND SADDLE

ITEM NO.	DESCRIPTION	FINISH
F254SBS	2" Square Blank Post With Swivel Stem	Brushed Stainless
F254SPS	2" Square Blank Post With Swivel Stem	Polished Stainless

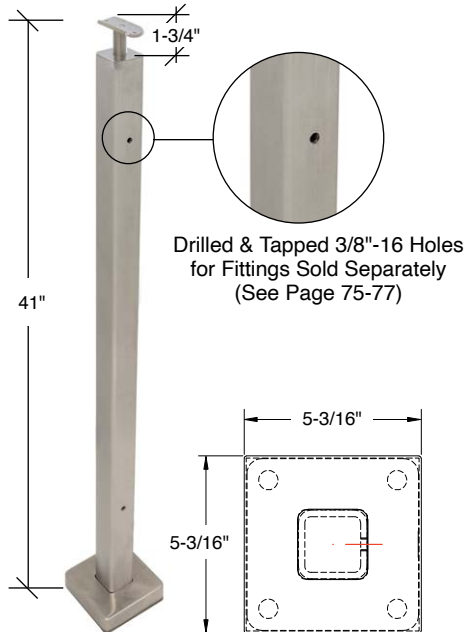
Minimum Order: 1 Each.

## FHC F2 Series Railing Post Configurations

- 2" Square Profile
- Pre-Fabricated 42" Post Kit
- Includes Welded Flange, Cover Plates, Fixed Stem and Saddle

- Available in Brushed and Polished Stainless Steel Finishes
- Powder Coat Options Also Available

### End Post Kit



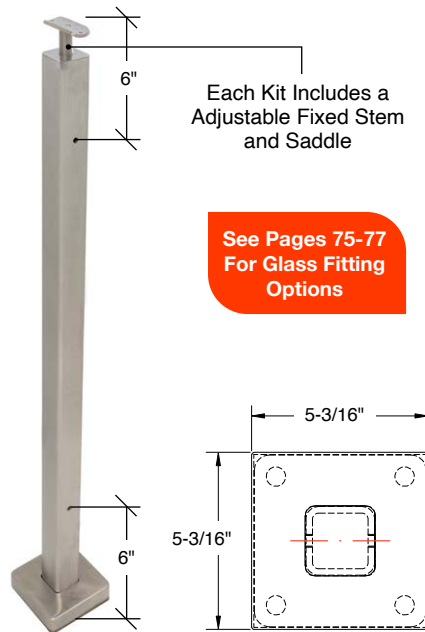
Drilled & Tapped 3/8"-16 Holes for Fittings Sold Separately (See Page 75-77)

#### END POST KIT

ITEM NO.	FINISH
F2E42BS	Brushed Stainless
F2E42PS	Polished Stainless

Minimum Order: 1 Each.

### 180 Degree Center Post Kit



Each Kit Includes a Adjustable Fixed Stem and Saddle

See Pages 75-77 For Glass Fitting Options

#### 180 DEGREE CENTER POST KIT

ITEM NO.	FINISH
F2C42BS	Brushed Stainless
F2C42PS	Polished Stainless

Minimum Order: 1 Each.

### 90 Degree Corner Post Kit



Linear Brushed Stainless Steel Finish Shown

#### 90 DEGREE CENTER POST KIT

ITEM NO.	FINISH
F2942BS	Brushed Stainless
F2942PS	Polished Stainless

Minimum Order: 1 Each.



visit [fhc-usa.com](http://fhc-usa.com) to search for

Railing Posts

Enter the Item Number or scan QR code with your smartphone for complete product details



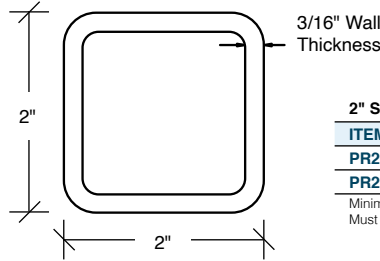
4361 Firestone Blvd. South Gate, CA 90280  
 Toll Free: (888) 295-4531 | Direct: (323) 968-2031  
 Fax: (323) 336-8307 | [fhc-usa.com](http://fhc-usa.com)



## FHC F2 Series Railing Post Components

### FHC 2" Square Pipe Rail

- 2" x 2" Outside Diameter
- 240" Length
- Available In Two Architectural Finishes
- End Caps, Corners, Sleeves and Post Components Sold Separately
- Custom Fabrication Services Available. Contact FHC Technical Sales for a Quote
- 304 Grade Stainless Steel



**2" SQUARE PIPE RAIL 240" LONG**

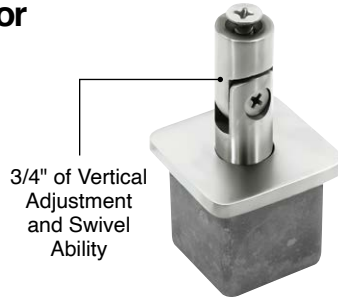
ITEM NO.	FINISHES
PR20BS	Brushed Stainless
PR20PS	Polished Stainless

Minimum Order: 1 Each.  
Must Ship Common Carrier.



### FHC Swivel Stem for 2" x 2" Square Rail

- 1-3/4" Tall Swing Stem Ideal for Stair Installations
- 3/4" Vertical Adjustment
- Designed For Use With PR20 2" x 2" Square Rail
- Can Be Welded or Bonded Using Epoxy LT1324007 (See Page 74)
- Saddle Sold Separately
- 316 Grade Stainless Steel

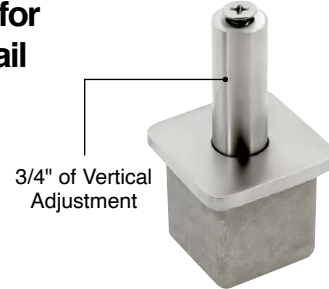


ITEM NO.	FINISHES
PR20ASBS	Brushed Stainless
PR20ASPS	Polished Stainless

Minimum Order: 1 Each.

### FHC Fixed Stem for 2" x 2" Square Rail

- 1-3/4" Tall Fixed Stem
- 3/4" Vertical Adjustment
- Designed For Use With PR20 2" x 2" Square Rail
- Can Be Welded or Bonded Using Epoxy LT1324007 (See Page 74)
- Saddle Sold Separately
- 316 Grade Stainless Steel

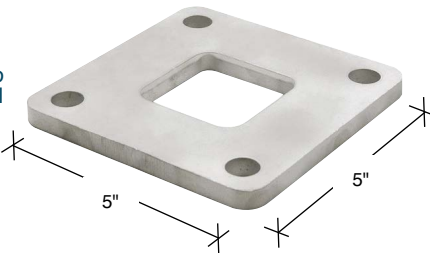


ITEM NO.	FINISHES
PR20FSBS	Brushed Stainless
PR20FSPS	Polished Stainless

Minimum Order: 1 Each.

### FHC Surface Mount Floor Flange for 2" X 2" Pipe Rail

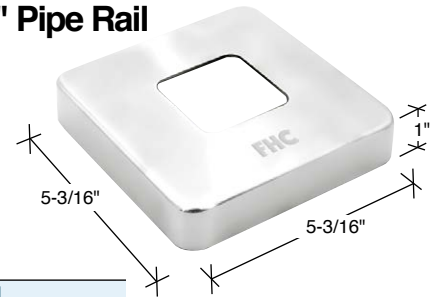
- 3/8" Thick Mill 316 Grade Stainless Steel
- Designed to be Welded to PR20 2" Square Pipe Rail
- Used for Installations Into Concrete, Wood or Steel
- Pre Drilled with (4) 9/16" Diameter Holes
- Flange Cover Sold Separately



ITEM NO. **PR20CF**  
Minimum Order 1 Each

### FHC Base Flange Cover Plate for 2" X 2" Pipe Rail

- Designed Fit Over PR20CF Flange or PR20S Stanchion
- Use With FHC PR20 2" Square Pipe Rail
- 316 Grade Stainless Steel

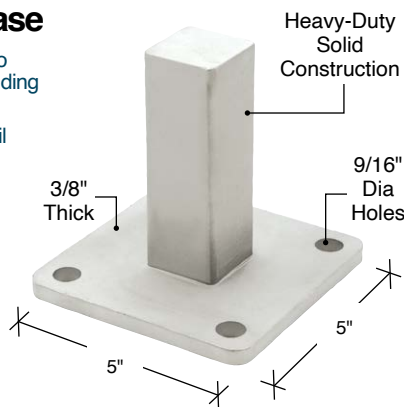


ITEM NO.	FINISH
PRCV20BS	Brushed Stainless
PRCV20PS	Polished Stainless

Minimum Order 1 Each

### FHC Surface Mount Post Stanchion With 5" Square Base

- Stanchion Allows Installer to Fabricate Post Without Welding
- 5" Tall Stanchion
- For 2" x 2" Square Pipe Rail
- Install Using Epoxy Item No. LT132400 (See Page 74)
- 316 Grade Stainless Steel



ITEM NO. **PR20S**  
Minimum Order 1 Each

### FHC Post Caps for 2" X 2" Pipe Rail

- Used on PR20AS/PR20FS When Stem Is Not Required
- 316 Grade Stainless Steel
- Install Using Epoxy LT1324007 (See Page 74)



ITEM NO.	FINISH
PR20CAPBS	Brushed Stainless
PR20CAPPS	Polished Stainless

Minimum Order 1 Each



**THE GLAZING SUPPLY COMPANY**  
EXPERIENCE AND INNOVATION



visit [fhc-usa.com](http://fhc-usa.com) to search for

**Railing Posts**

Enter the Item Number or scan QR code with your smartphone for complete product details

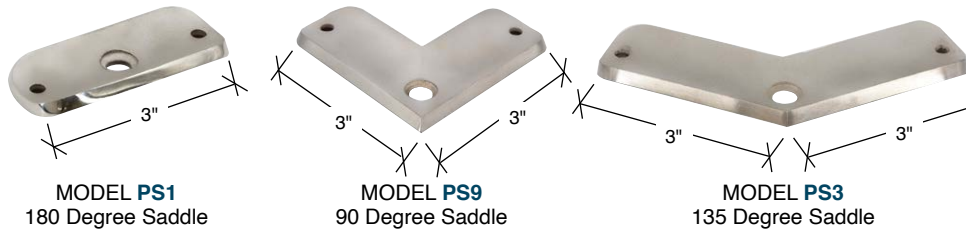
## FHC F2 Series Railing Post Components

### FHC Replacement Saddles for F2 Series Railing Post

- Designed to be Used With Fixed and Swivel Stems
- 90, 135, and 180 Degree Radius and Flat Saddles

- Radius Saddles Compatible With 1-1/2" to 2" Round Top Rail
- Available In Two Architectural Finishes
- Includes (2) #10-32 Handrail Mounting Screws Sold Separately
- 316 Grade Stainless Steel

### FHC Radius Saddles for Round Tubing

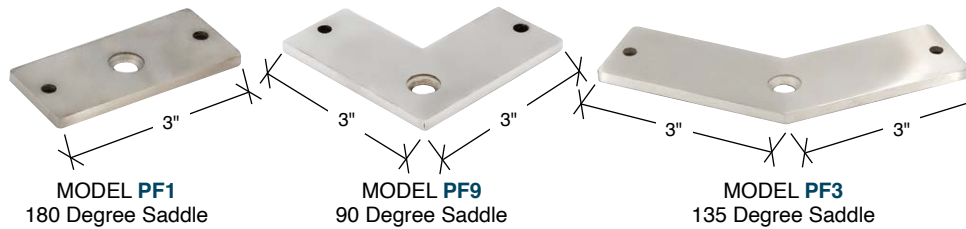


**FHC RADIUS SADDLES**

ITEM NO.	ANGLE	FINISH
PS1BS	180 Degree	Brushed Stainless
PS1PS	180 Degree	Polished Stainless
PS9BS	90 Degree	Brushed Stainless
PS9PS	90 Degree	Polished Stainless
PS3BS	135 Degree	Brushed Stainless
PS3PS	135 Degree	Polished Stainless

Minimum Order: 1 Each.

### FHC Flat Saddles for Square or Rectangular Tubing



**FHC FLAT SADDLES**

ITEM NO.	ANGLE	FINISH
PF1BS	180 Degree	Brushed Stainless
PF1PS	180 Degree	Polished Stainless
PF9BS	90 Degree	Brushed Stainless
PF9PS	90 Degree	Polished Stainless
PF3BS	135 Degree	Brushed Stainless
PF3PS	135 Degree	Polished Stainless

Minimum Order: 1 Each.

### FHC 2" Square Post Fascia Bracket for Center or End Post

- Use With FHC PR20 2" Square Pipe Rail
- For Center or End Post Applications
- Pre-Drilled With (4) 7/16" Diameter Holes
- 3-1/2" Wide X 6-1/2" Tall Mounting Base, 3/8" Thick
- Available in Two Architectural Finishes



ITEM NO.	FINISH
FB2BS	Brushed Stainless
FB2PS	Polished Stainless

Minimum Order: 1 Each.

### FHC 2" Square Post Fascia Bracket for Inside 90 Degree Corner

- Use With FHC PR20 2" Square Pipe Rail
- For Inside 90 Degree Corner Applications
- Pre-Drilled With (4) 7/16" Diameter Holes
- Available in Two Architectural Finishes

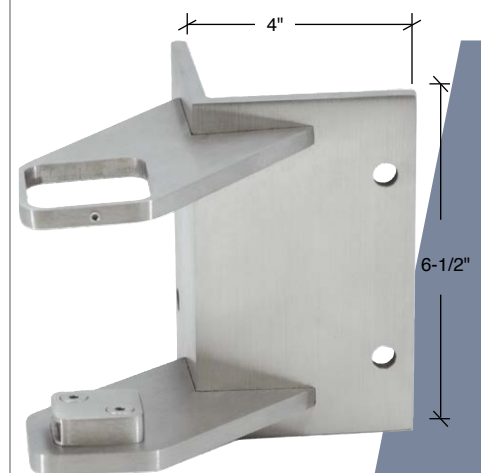


ITEM NO.	FINISH
FB21BS	Brushed Stainless
FB21PS	Polished Stainless

Minimum Order: 1 Each.

### FHC 2" Square Post Fascia Bracket for Outside 90 Degree Corner

- Use With FHC PR20 2" Square Pipe Rail
- For Inside 90 Degree Corner Applications
- Pre-Drilled With (4) 7/16" Diameter Holes
- Available in Two Architectural Finishes



ITEM NO.	FINISH
FB20BS	Brushed Stainless
FB20PS	Polished Stainless

Minimum Order: 1 Each.

visit [fhc-usa.com](http://fhc-usa.com) to search for

**Railing Posts**

Enter the Item Number or scan QR code with your smartphone for complete product details



4361 Firestone Blvd. South Gate, CA 90280  
 Toll Free: (888) 295-4531 | Direct: (323) 968-2031  
 Fax: (323) 336-8307 | [fhc-usa.com](http://fhc-usa.com)



## FHC F3 Series Railing Post Kits

### FHC F3 Series Blank Railing Posts

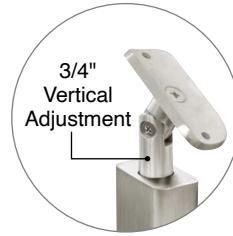
- 1" x 2" Narrow Rectangular Profile
- 54" Tall Blank Post Includes Adjustable Height Fixed or Swivel Stem With Saddle
- No Additional Welding Necessary
- Blank Post Designed to Be Cut and Fabricated in the Field
- Available in Brushed and Polished Stainless Steel Finishes
- Stanchions, Cover Plates, Fascia Brackets, and Glass Fittings Sold Separately.
- 316 Grade Stainless Steel



Blank Post Are Available With An Adjustable Height Fixed or Swivel Saddle for Ramp or Stair Areas.



Fixed Stem and Saddle



Swivel Stem and Saddle



**NEW**

Blank Post With Fixed Stem Shown

#### FHC F3 SERIES BLANK POST WITH FIXED STEM AND SADDLE

ITEM NO.	DESCRIPTION	FINISH
F354FBS	1" x 2" Narrow Rectangular Blank Post With Fixed Stem Saddle Included	Brushed Stainless
F354FPS	1" x 2" Narrow Rectangular Blank Post With Fixed Stem Saddle Included	Polished Stainless

Minimum Order: 1 Each.

#### FHC F3 SERIES BLANK POST WITH SWIVEL STEM AND SADDLE

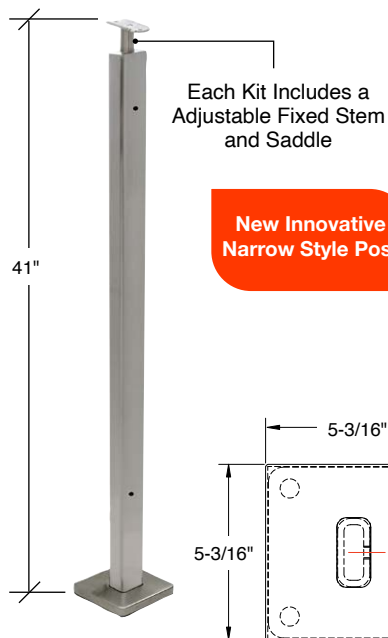
ITEM NO.	DESCRIPTION	FINISH
F354SBS	1" x 2" Narrow Rectangular Blank Post With Swivel Stem Saddle Included	Brushed Stainless
F354SPS	1" x 2" Narrow Rectangular Blank Post With Swivel Stem Saddle Included	Polished Stainless

Minimum Order: 1 Each.

### FHC F3 Series Railing Post Configurations

- 1" x 2" Narrow Rectangular Profile
- Pre-Fabricated 42" Post Kit
- Includes Welded Flange, Cover Plates, Stem and Saddle
- Available in Brushed and Polished Stainless Steel Finishes
- Powder Coat Options Also Available

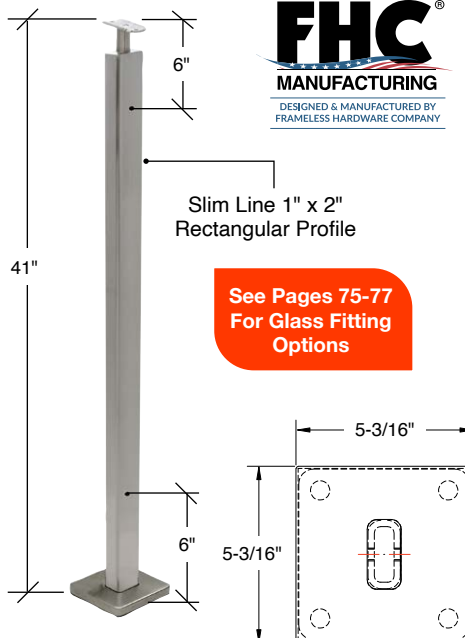
#### End Post Kit



Each Kit Includes a Adjustable Fixed Stem and Saddle

**New Innovative Narrow Style Post**

#### 180 Degree Center Post Kit



Slim Line 1" x 2" Rectangular Profile

See Pages 75-77 For Glass Fitting Options



#### END POST KIT

ITEM NO.	FINISH
F3E42BS	Brushed Stainless
F3E42PS	Polished Stainless

Minimum Order: 1 Each

#### 180 DEGREE CENTER POST KIT

ITEM NO.	FINISH
F3C42BS	Brushed Stainless
F3C42PS	Polished Stainless

Minimum Order: 1 Each

### FHC Magnetic Mini Post Level

- Ideal for Leveling Posts, Pipes, and Signs
- Compact, with Two Horizontal and One Vertical Cylindrical Vials
- Comes With Adjustable Elastic Strap for Nonmagnetic Surfaces and Four Magnets for Magnetic Surfaces



**NEW**

ITEM NO. **MPL341**  
Minimum Order 1 Each



**THE GLAZING SUPPLY COMPANY**  
EXPERIENCE AND INNOVATION



visit [fhc-usa.com](http://fhc-usa.com) to search for

**Railing Posts**

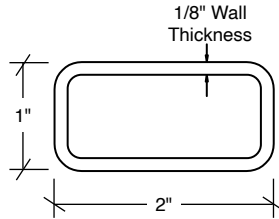
Enter the Item Number or scan QR code with your smartphone for complete product details



## FHC F3 Series Railing Post Components

### FHC 1" X 2" Narrow Rectangular Rail

- 1" x 2" Rectangular Profile
- 240" Length
- Available In Two Architectural Finishes
- End Caps, Corners, Sleeves and Post Components Sold Separately
- Custom Fabrication Services Available. Contact FHC Technical Sales for a Quote
- 316 Grade Stainless Steel



**2" X 1" RECTANGULAR RAIL 240" LONG**

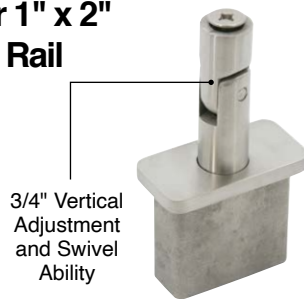
ITEM NO.	FINISHES
PR12BS	Brushed Stainless
PR12PS	Polished Stainless

Minimum Order: 1 Each.  
Must Ship Common Carrier.



### FHC Swivel Stem for 1" x 2" Narrow Rectangular Rail

- 1-3/4" Tall Swivel Stem Ideal for Stair Installations
- 3/4" Vertical Adjustment
- Designed for Use With PR12 1" x 2" Rectangular Tubing
- Can Be Welded or Bonded Using Epoxy LT1324007 (See Page 74)
- Saddle Sold Separately
- 316 Grade Stainless Steel

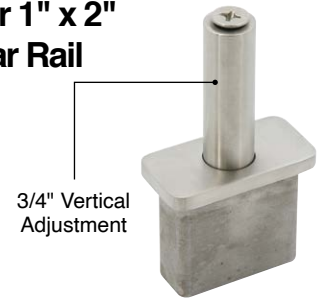


ITEM NO.	FINISH
PR12ASBS	Brushed Stainless
PR12ASPS	Polished Stainless

Minimum Order: 1 Each.

### FHC Fixed Stem for 1" x 2" Narrow Rectangular Rail

- 1-3/4" Tall Fixed Stem
- 3/4" Vertical Adjustment
- Designed for Use With PR12 1" x 2" Rectangular Tubing
- Can Be Welded or Bonded Using Epoxy LT1324007 (See Page 74)
- Saddle Sold Separately
- 316 Grade Stainless Steel

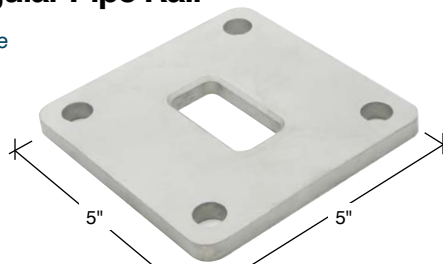


ITEM NO.	FINISH
PR12FSBS	Brushed Stainless
PR12FSPS	Polished Stainless

Minimum Order: 1 Each.

### FHC Floor Flange for 1" X 2" Narrow Rectangular Pipe Rail

- 3/8" Thick Mill 316 Grade Steel Stainless
- Designed to be Welded on 1"x2" Rectangular Tubing
- Pre -Drilled with (4) 9/16" Diameter Holes



ITEM NO. **PR12CF**  
Minimum Order 1 Each

### FHC Flange Cover Plate for 1" X 2" Narrow Rectangular Pipe Rail

- Designed Fit Over PR12CF Flange or PR12S Stanchion
- Use With FHC PR12 1" x 2" Rectangular Pipe Rail
- 316 Grade Stainless Steel

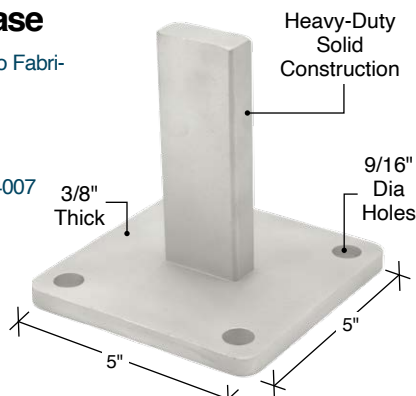


ITEM NO.	FINISH
PR12CVBS	Brushed Stainless
PR12CVPS	Polished Stainless

Minimum Order 1 Each

### FHC Surface Mount Post Stanchion With 5" Square Base

- Stanchion Allows Installer to Fabricate Post Without Welding
- 5" Tall Stanchion
- For 1" x 2" Rectangular Stainless Tubing
- Install Using Epoxy LT1324007 (See Page 74)
- 316 Grade Stainless Steel



ITEM NO. **PR12S**  
Minimum Order 1 Each

### FHC Post Caps for 1" X 2" Rectangular Pipe Rail

- Used on PR12AS/PR12FS When Stem is Not Required
- Install Using Epoxy LT1324007 (See Page 74)
- 316 Grade Stainless Steel



ITEM NO.	FINISH
PR12CAPBS	Brushed Stainless
PR12CAPPS	Polished Stainless

Minimum Order 1 Each

visit [fhc-usa.com](http://fhc-usa.com) to search for

Railing Posts



Enter the Item Number or scan QR code with your smartphone for complete product details



4361 Firestone Blvd. South Gate, CA 90280  
Toll Free: (888) 295-4531 | Direct: (323) 968-2031  
Fax: (323) 336-8307 | [fhc-usa.com](http://fhc-usa.com)



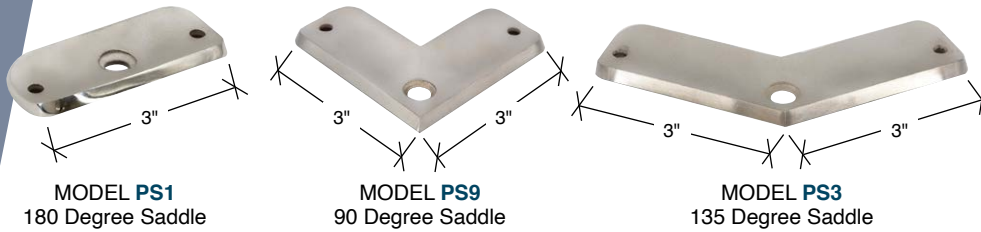
## FHC F3 Series Railing Post Components

### FHC Replacement Saddles for F3 Series Railing Post

- Designed to be Used With Fixed and Swivel Stems
- 90, 135, and 180 Degree Radius and Flat Saddles

- Radius Saddles Compatible With 1-1/2" to 2" Round Top Rail
- Available In Two Architectural Finishes
- Includes (2) #10-32 Handrail Mounting Screws
- 316 Grade Stainless Steel

### FHC Radius Saddles for Round Tubing

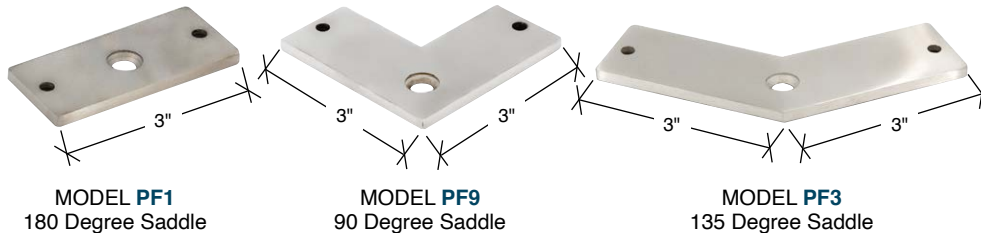


FHC RADIUS SADDLES

ITEM NO.	ANGLE	FINISH
PS1BS	180 Degree	Brushed Stainless
PS1PS	180 Degree	Polished Stainless
PS9BS	90 Degree	Brushed Stainless
PS9PS	90 Degree	Polished Stainless
PS3BS	135 Degree	Brushed Stainless
PS3PS	135 Degree	Polished Stainless

Minimum Order: 1 Each.

### FHC Flat Saddles for Square or Rectangular Tubing



FHC FLAT SADDLES

ITEM NO.	ANGLE	FINISH
PF1BS	180 Degree	Brushed Stainless
PF1PS	180 Degree	Polished Stainless
PF9BS	90 Degree	Brushed Stainless
PF9PS	90 Degree	Polished Stainless
PF3BS	135 Degree	Brushed Stainless
PF3PS	135 Degree	Polished Stainless

Minimum Order: 1 Each.

### FHC 1" X 2" Narrow Rectangular Post Fascia Brackets for Center or End Post

- Use With FHC PR12 1"x 2" Narrow Rectangular Pipe Rail
- For Center or End Post Applications
- Pre Drilled With (4) 7/16" Diameter Holes
- 3-1/2" Wide X 6-1/2" Tall Mounting Base, 3/8" Thick
- Available in Two Architectural Finishes



ITEM NO.	FINISH
FB12BS	Brushed Stainless
FB12PS	Polished Stainless

Minimum Order: 1 Each.

Loctite is a registered trademark of Henkel Corporation

### FHC 10-32 Thread Cutting Screw

- #10-32 Thread
- 3/4" Long Stainless Steel
- Used to Fasten Brackets to Handrail
- 100 Screws Per Pack



ITEM NO. **HB10X32TC**  
Minimum Order 1 Pack

### Loctite® Clear Poxy-Pak Two-Part Epoxy

- Sets in 5 Minutes
- Full Strength in One Hour
- Bonds Virtually Any Material
- High Temperature Resistance
- Repairs, Fills and Seals Holes, Cracks and Worn Surfaces
- Sandable and Paintable



ITEM NO. **LT1324007**  
Minimum Order 1 Each



**THE GLAZING SUPPLY COMPANY**  
EXPERIENCE AND INNOVATION



visit [fhc-usa.com](http://fhc-usa.com) to search for

**Railing Posts**



Enter the Item Number or scan QR code with your smartphone for complete product details

## FHC F-Series Railing Post Glass Fittings

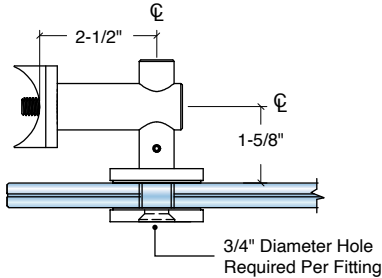
### FHC Fixed Bracket Double Arm Glass Fittings

- For 1/2" to 13/16" Thick Glass
- Designed for Railing and Awning Glass Infills
- Includes Coped Adapter for Installation on 1.9" Round Post
- 3/8"-16 Allen Screws Included
- Sold by the Pair
- 90 Degree Coped Adapters (Sold Separately, See Below)
- Requires One 3/4" Diameter Hole Per Fitting
- 316 Grade Stainless Steel

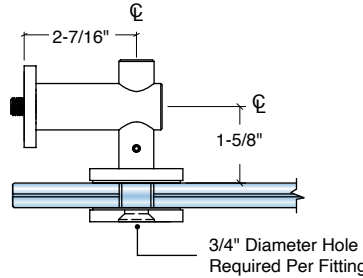


ITEM NO.	FINISH
FB51BS	Brushed Stainless
FB51PS	Polished Stainless
FB51MB	Matte Black

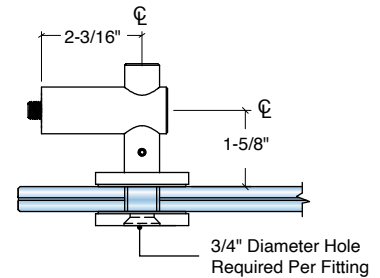
Minimum Order: 1 Pair.



**FB51 Bracket Hole Location Using Supplied Coped Adapter**



**FB51 Bracket Hole Location Using Flat Shoulder**



**FB51 Bracket Hole Location No Shoulder**

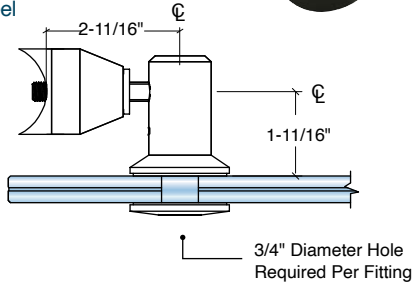
### FHC Swivel Bracket Double Arm Glass Fittings

- For 1/2" to 13/16" Thick Glass
- Designed for Railing and Awning Glass Infills
- Includes Coped Adapter for Installation on 1.9" Round Post
- 3/8"-16 Allen Screws Included
- Sold by the Pair
- Requires One 3/4" Diameter Hole Per Fitting
- 90 Degree Coped Adapters (Sold Separately, See Below)
- 316 Grade Stainless Steel

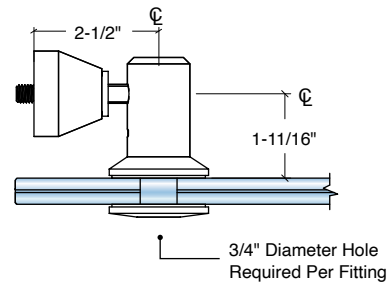


ITEM NO.	FINISH
SB50BS	Brushed Stainless
SB50PS	Polished Stainless
SB50MB	Matte Black

Minimum Order: 1 Pair.



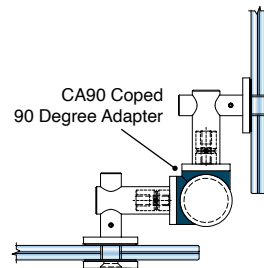
**SB50 Bracket Hole Location Using Supplied Coped Adapter**



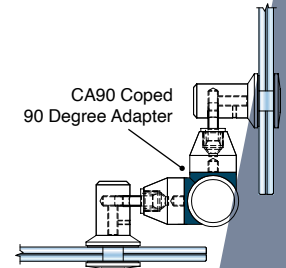
**SB50 Bracket Hole Location**

### FHC 90 Degree Coped Adapters for FB51 & SB50 Fittings

- Notched for Tighter 90 Degree Installations
- Designed for Use on FB51 and SB50 Bracket
- Available in Three Architectural Finishes
- Two Per Set



**FB51 Bracket Assembly**



**SB50 Bracket Assembly**

ITEM NO.	FINISH
CA90BS	Brushed Stainless
CA90PS	Polished Stainless
CA90MB	Matte Black

Minimum Order: 1 Pair.

visit [fhc-usa.com](http://fhc-usa.com) to search for

**Glass Fittings**

Enter the Item Number or scan QR code with your smartphone for complete product details



4361 Firestone Blvd. South Gate, CA 90280  
 Toll Free: (888) 295-4531 | Direct: (323) 968-2031  
 Fax: (323) 336-8307 | [fhc-usa.com](http://fhc-usa.com)



## FHC F-Series Railing Post Components Glass Clamps

### FHC F-Series Square Glass Clamps

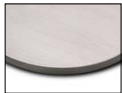
- Available in Both Flat and Radius Bases
- 316 Grade Stainless Steel
- For 1/2" - 9/16" Thick Glass
- Includes Gaskets and Steel Pin
- Glass Cut-Out Required When Using Steel Pin Option
- Three Popular Finishes Available

Chat With FHC On Our Website to Get Real Time Expert Support from Knowledgeable Reps

Chat With Us!



#### Available Finishes



**BS** BRUSHED STAINLESS



**PS** POLISHED STAINLESS



**MB** MATTE BLACK

### Radius Base Clamp For 1/2" and 9/16" Glass Use With F1 Series Posts

Radius Base Item No. **FS712XX**

- For Use With 1.9" Diameter Tubing



Front View



Rear View



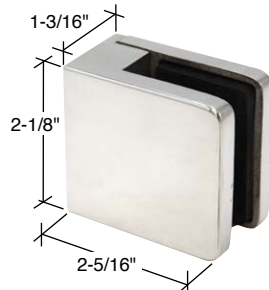
Item No. **FBOLT**  
3/8"-16 Bolt  
5/8" Long  
Used to Attach Clamps to F-Series Posts

ITEM NO.	FINISH
<b>FS712BS</b>	Brushed Stainless
<b>FS712PS</b>	Polished Stainless
<b>FS712MB</b>	Matte Black

Minimum Order: 1 Each.

### Flat Base Clamps For 1/2" and 9/16" Glass Use With F2 & F3 Series Posts

Flat Base Item No. **FS912XX**



Front View



Rear View



Item No. **FBOLT**  
3/8"-16 Bolt  
5/8" Long  
Used to Attach Clamps to F-Series Posts

ITEM NO.	FINISH
<b>FS912BS</b>	Brushed Stainless
<b>FS912PS</b>	Polished Stainless
<b>FS912MB</b>	Matte Black

Minimum Order: 1 Each.



**THE GLAZING SUPPLY COMPANY**  
EXPERIENCE AND INNOVATION



visit [fhc-usa.com](http://fhc-usa.com) to search for

**Glass Clamps**

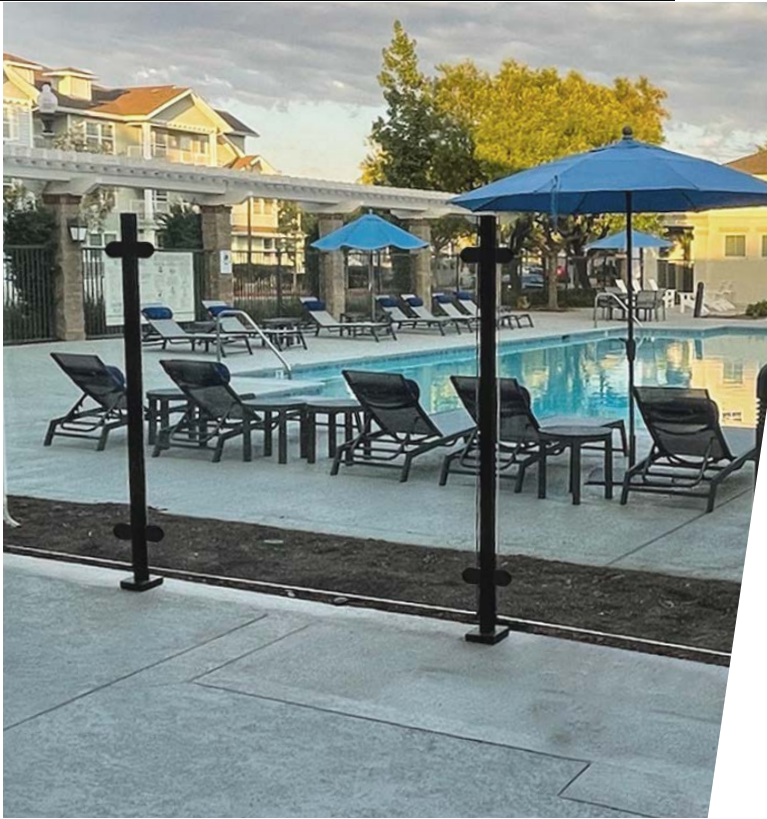
Enter the Item Number or scan QR code with your smartphone for complete product details

## FHC F-Series Railing Post Components Glass Clamps

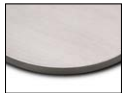
### FHC F-Series Round Glass Clamps

- Available in Both Flat and Radius Bases
- 316 Grade Stainless Steel
- For 1/2" - 9/16" Thick Glass
- Includes Gaskets and Steel Pin
- Glass Cut-Out Required When Using Steel Pin Option
- Three Popular Finishes Available

Chat With FHC On Our Website  
to Get Real Time Expert Support  
from Knowledgeable Reps



### Available Finishes



**BS BRUSHED STAINLESS**



**PS POLISHED STAINLESS**

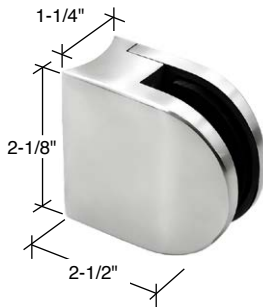


**MB MATTE BLACK**

### Radius Base Clamps For 1/2" and 9/16" Glass Use With F1 Series Posts

Radius Base Item No. **FR712XX**

- For Use With 1.9" Diameter Tubing



Front View



Rear View



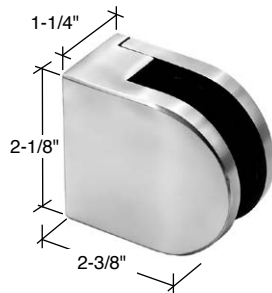
Item No. **FBOLT**  
3/8"-16 Bolt  
5/8" Long  
Used to Attach Clamps  
to F-Series Posts

ITEM NO.	FINISH
<b>FR712BS</b>	Brushed Stainless
<b>FR712PS</b>	Polished Stainless
<b>FR712MB</b>	Matte Black

Minimum Order: 1 Each.

### Flat Base Clamp For 1/2" and 9/16" Glass Use With F2 & F3 Series Posts

Flat Base Item No. **FR912XX**



Front View



Rear View



Item No. **FBOLT**  
3/8"-16 Bolt  
5/8" Long  
Used to Attach Clamps  
to F-Series Posts

ITEM NO.	FINISH
<b>FR912BS</b>	Brushed Stainless
<b>FR912PS</b>	Polished Stainless
<b>FR912MB</b>	Matte Black

Minimum Order: 1 Each.

visit [fhc-usa.com](http://fhc-usa.com) to search for

Glass Clamps



Enter the Item Number or scan QR code with your smartphone for complete product details



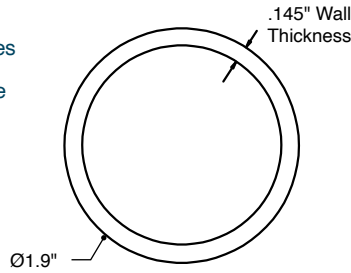
4361 Firestone Blvd. South Gate, CA 90280  
Toll Free: (888) 295-4531 | Direct: (323) 968-2031  
Fax: (323) 336-8307 | [fhc-usa.com](http://fhc-usa.com)



## FHC F-Series Top Rails and Components

### FHC 1.9" O.D. Pipe Rail

- 1.9" Outside Diameter
- 240" Length
- Available In Two Architectural Finishes
- End Caps, Corners, Sleeves and Post Components Sold Separately
- Custom Fabrication Services Available. Contact FHC Technical Sales for a Quote
- 304 Grade Stainless Steel

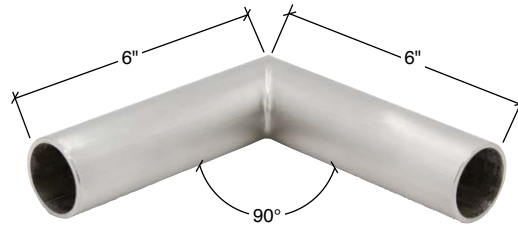


ITEM NO.	Length	FINISH
PR19BS	240"	Brushed Stainless
PR19PS	240"	Polished Stainless

Minimum Order: 1 Each.  
Must Ship Common Carrier.

### FHC Horizontal 90 Degree Corner for 1.9" O.D. Pipe Rail

- Install with (2) PR19CS Connector Sleeves (Sold Separately) (See Page 82)
- Adhere with LT32629 Cement and LT7649 Primer (See Page 82)
- Custom Fabrication Services Available. Contact FHC Technical Sales for a Quote
- 304 Grade Stainless Steel

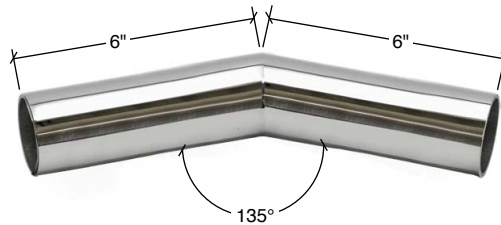


ITEM NO.	FINISH
PR19HBS	Brushed Stainless
PR19HPS	Polished Stainless

Minimum Order: 1 Each.

### FHC Horizontal 135 Degree Corner for 1.9" O.D. Pipe Rail

- Install with (2) PR19CS Connector Sleeves (Sold Separately)
- Adhere with LT32629 Cement and LT7649 Primer (See Page 82)
- Custom Fabrication Services Available. Contact FHC Technical Sales for a Quote
- 304 Grade Stainless Steel

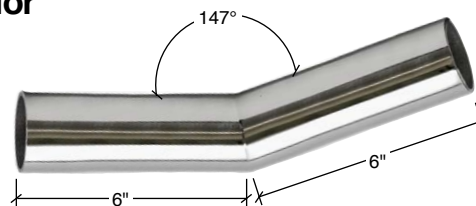


ITEM NO.	FINISH
PR19H3BS	Brushed Stainless
PR19H3PS	Polished Stainless

Minimum Order: 1 Each.

### FHC Vertical 147 Degree Corner for 1.9" O.D. Pipe Rail

- Install with (2) PR19CS Connector Sleeves (Sold Separately)
- Adhere with LT32629 Cement and LT7649 Primer (See Page 82)
- Custom Fabrication Services Available. Contact FHC Technical Sales for a quote
- 304 Grade Stainless Steel



ITEM NO.	FINISH
PR19VBS	Brushed Stainless
PR19VPS	Polished Stainless

Minimum Order: 1 Each.

### FHC End Cap for 1.9" O.D. Pipe Rail

- For PR19 1.9" O.D. Pipe Rail
- 316 Grade Stainless Steel
- Install Using LT32629 Cement and LT7649 Primer (See Page 82)



ITEM NO.	FINISH
PR19ECBS	Brushed Stainless
PR19ECPS	Polished Stainless

Minimum Order: 1 Each.

### FHC Connector Sleeves for 1.9" O.D. Pipe Rail

- Internal Connector for 1.9" O.D. Pipe Rail
- Used To Connect Two Straight Pieces of Rail or Corner Connections
- Mill Stainless Steel
- 316 Grade Stainless Steel
- Install Using LT32629 Cement and LT7649 Primer (See Page 82)



ITEM NO. **PR19CS**  
Minimum Order 1 Each



**THE GLAZING SUPPLY COMPANY**  
EXPERIENCE AND INNOVATION



visit [fhc-usa.com](http://fhc-usa.com) to search for

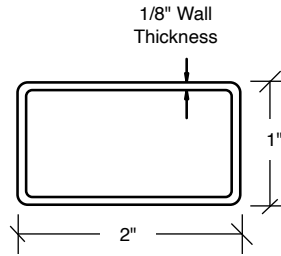
**Pipe Rails**

Enter the Item Number or scan QR code with your smartphone for complete product details

## FHC F-Series Top Rails and Components

### FHC 2" X 1" Rectangular Rail

- 2" x 1" Rectangular Profile
- 240" Length
- 1/8" Wall Thickness
- Available In Two Architectural Finishes
- End Caps, Corners, Sleeves and Post Components Sold Separately
- Custom Fabrication Services Available. Contact FHC Technical Sales for a Quote

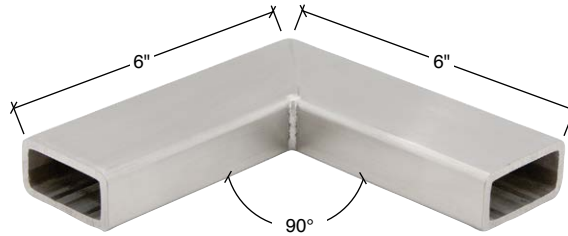


ITEM NO.	Length	FINISHES
PR12BS	240"	Brushed Stainless
PR12PS	240"	Polished Stainless

Minimum Order: 1 Each.  
Must Ship Common Carrier.

### FHC Horizontal 90 Degree Corner For 2" X 1" Rectangular Rail

- Install With (2) PR12CS Connector Sleeves (Sold Separately)
- Adhere With LT32629 Cement and LT7649 Primer (See Page 82)
- Custom Fabrication Services Available. Contact FHC Technical Sales for a Quote
- 316 Grade Stainless Steel

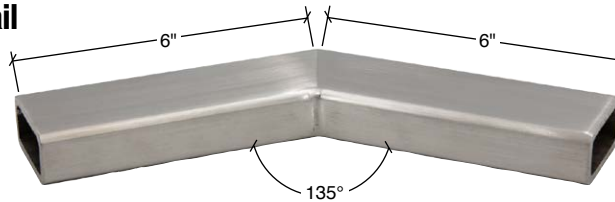


ITEM NO.	FINISH
PR12HBS	Brushed Stainless
PR12HPS	Polished Stainless

Minimum Order: 1 Each.

### FHC Horizontal 135 Degree Corner For 2" X 1" Rectangular Rail

- Install With (2) PR12CS Connector Sleeves (Sold Separately)
- Adhere With LT32629 Cement and LT7649 Primer (See Page 82)
- Custom Fabrication Services Available. Contact FHC Technical Sales for a Quote
- 316 Grade Stainless Steel

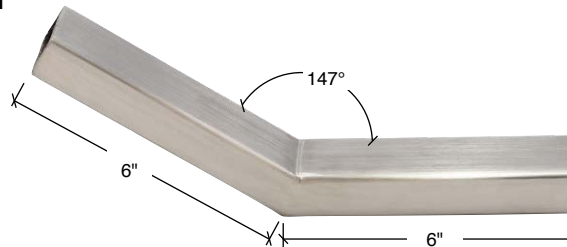


ITEM NO.	FINISH
PR12H3BS	Brushed Stainless
PR12H3PS	Polished Stainless

Minimum Order: 1 Each.

### FHC Vertical 147 Degree Corner For 2" X 1" Rectangular Rail

- Install With (2) PR12CS Connector Sleeves (Sold Separately)
- Adhere With LT32629 Cement and LT7649 Primer (See Page 82)
- Custom Fabrication Services Available. Contact FHC Technical Sales for a Quote
- 316 Grade Stainless Steel



ITEM NO.	FINISH
PR12VBS	Brushed Stainless
PR12VPS	Polished Stainless

Minimum Order: 1 Each.

### FHC End Cap for 2" X 1" Rectangular Rail

- Slip-On End Caps For 2" x 1" Rectangular Stainless Tubing
- Adhere With LT32629 Cement and LT7649 Primer (See Page 82)
- 316 Grade Stainless Steel



ITEM NO.	FINISH
PR12ECBS	Brushed Stainless
PR12ECPS	Polished Stainless

Minimum Order: 1 Each.

visit [fhc-usa.com](http://fhc-usa.com) to search for

Pipe Rails



Enter the Item Number or scan QR code with your smartphone for complete product details



### FHC Connector Sleeves for 2" X 1" Rectangular Rail

- Internal Connector for 2"x 1" Rectangular Stainless Tubing FHC #PR12BS
- Used To Connect 2 Straight Pieces of Rail or Corner Connections
- Adhere With LT32629 Cement and LT7649 Primer (See Page 82)
- Custom Fabrication Services Available
- 316 Grade Stainless Steel



ITEM NO. PR12CS  
Minimum Order 1 Each

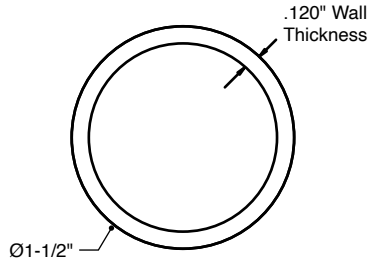
4361 Firestone Blvd. South Gate, CA 90280  
Toll Free: (888) 295-4531 | Direct: (323) 968-2031  
Fax: (323) 336-8307 | [fhc-usa.com](http://fhc-usa.com)



## FHC F-Series Top Rails and Components

### FHC 1-1/2" O.D. Heavy-Duty Tubing

- 1-1/2" Outside Diameter With .120" Wall Thickness
- 240" Lengths
- Available In Two Architectural Finishes
- 304 Grade Stainless Steel
- End Caps, Corners, Sleeves and Post Components Sold Separately
- Custom Fabrication Services Available. Contact FHC Technical Sales for a Quote

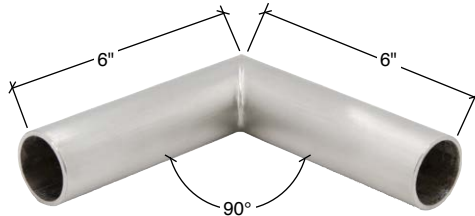


ITEM NO.	Length	FINISH
THD15BS	240"	Brushed Stainless
THD15PS	240"	Polished Stainless

Minimum Order: 1 Each. Must Ship Common Carrier.

### FHC Horizontal 90 Degree Corner for 1-1/2" O.D. Heavy-Duty Tubing

- For Heavy-Duty 1-1/2" Diameter Tubing With .120" Wall Thickness
- Install With (2) THD15CSS Connector Sleeves (Sold Separately)
- Adhere With LT32629 Cement and LT7649 Primer (See Page 82)
- Custom Fabrication Services Available. Contact FHC Technical Sales for a Quote
- 304 Grade Stainless Steel

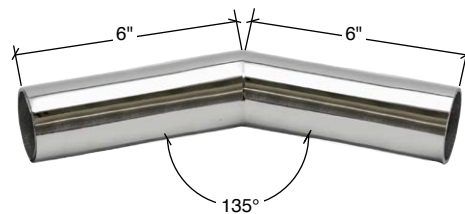


ITEM NO.	FINISH
THD15HBS	Brushed Stainless
THD15HPS	Polished Stainless

Minimum Order: 1 Each.

### FHC Horizontal 135 Degree Corner for 1-1/2" O.D. Heavy-Duty Tubing

- For Heavy-Duty 1-1/2" Diameter Tubing With .120" Wall Thickness
- Install With (2) THD15CSS Connector Sleeves (Sold Separately)
- Adhere With LT32629 Cement and LT7649 Primer (See Page 82)
- Custom Fabrication Services Available. Contact FHC Technical Sales for a Quote

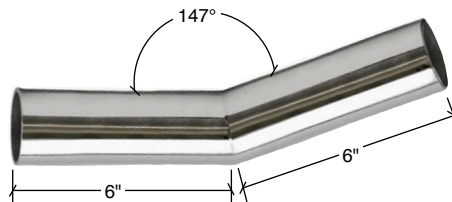


ITEM NO.	FINISH
THD15H3BS	Brushed Stainless
THD15H3PS	Polished Stainless

Minimum Order: 1 Each.

### FHC Vertical 147 Degree Corner for 1-1/2" O.D. Heavy-Duty Tubing

- For Heavy-Duty 1-1/2" Diameter Tubing With .120" Wall Thickness
- Install With (2) THD15CSS Connector Sleeves (Sold Separately)
- Adhere With LT32629 Cement and LT7649 Primer (See Page 82)
- Custom Fabrication Services Available. Contact FHC Technical Sales for a Quote



ITEM NO.	FINISH
THD15H7BS	Brushed Stainless
THD15H7PS	Polished Stainless

Minimum Order: 1 Each.

### FHC End Caps for 1-1/2" O.D. Heavy-Duty Tubing

- End Caps for THD15 Pipe Rail
- 304 Grade Stainless Steel
- Install Using LT32629 Cement and LT7649 Primer (See Page 82)



ITEM NO.	FINISH
THD15ECBS	Brushed Stainless
THD15ECPS	Polished Stainless

Minimum Order: 1 Each.

### FHC Connector Sleeves for 1-1/2" O.D. Heavy-Duty Tubing

- 5" Long Internal Connector for THD15
- Used To Connect Two Straight Pieces of Rail or Corner Connections
- 304 Grade Stainless Steel
- Install Using LT32629 Cement and LT7649 Primer



ITEM NO. THD15CSS  
Minimum Order 1 Each



THE GLAZING SUPPLY COMPANY  
EXPERIENCE AND INNOVATION



visit [fhc-usa.com](http://fhc-usa.com) to search for

Railing Posts

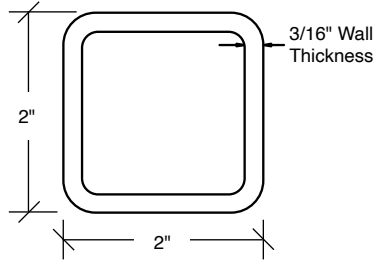
Enter the Item Number or scan QR code with your smartphone for complete product details



## FHC F-Series Top Rails and Components

### FHC 2" Square Pipe Rail 240" Lengths

- 2" x 2" Square Profile
- 3/16" Wall Thickness
- 240" Lengths
- Available In Two Architectural Finishes
- 304 Grade Stainless Steel
- End Caps, Corners, Sleeves and Post Components Sold Separately
- Custom Fabrication Services Available. Contact FHC Technical Sales for a Quote

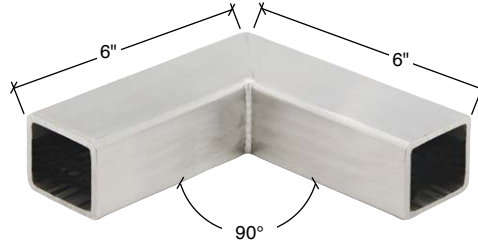


ITEM NO.	Lengths	FINISHES
PR20BS	240"	Brushed Stainless
PR20PS	240"	Polished Stainless

Minimum Order: 1 Each.  
Must Ship Common Carrier.

### FHC 90° Degree Corner for 2" Square Pipe Rail

- 6" x 6" Outside Dimension
- 90 Degree Corner
- 304 Grade Stainless Steel
- For PR20BS 2" x 2" Square Rail With 3/16" Wall Thickness
- Install with (2) PR20CS Connector Sleeves (Sold Separately)



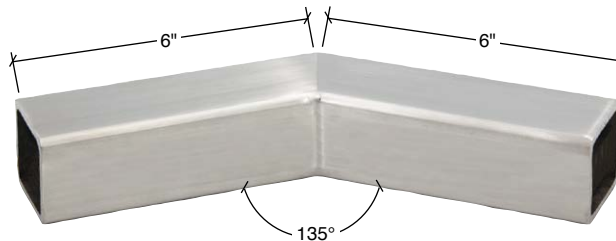
- Adhere With LT32629 Cement and LT7649 Primer (See Page 82).
- Custom Fabrication Services Available. Contact FHC Technical Sales for a Quote

ITEM NO.	FINISH
PR20HBS	Brushed Stainless
PR20HPS	Polished Stainless

Minimum Order: 1 Each.

### FHC 135° Degree Corner for 2" Square Pipe Rail

- 6" x 6" Outside Dimension
- 135 Degree Corner
- 304 Grade Stainless Steel
- For PR20BS 2" x 2" Square Rail With 3/16" Wall Thickness
- Install with (2) PR20CS Connector Sleeves (Sold Separately)



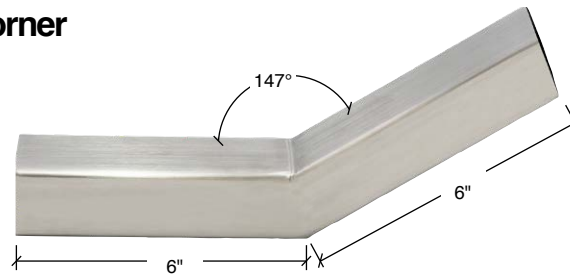
- Adhere With LT32629 Cement and LT7649 Primer (See Page 82).
- Custom Fabrication Services Available. Contact FHC Technical Sales for a Quote

ITEM NO.	FINISH
PR20H3BS	Brushed Stainless
PR20H3PS	Polished Stainless

Minimum Order: 1 Each.

### FHC Vertical 147° Degree Corner for 2" Square Pipe Rail

- 6" x 6" Outside Dimension
- 147 Degree Corner
- For PR20BS 2" x 2" Square Rail With 3/16" Wall Thickness
- 304 Grade Stainless Steel
- Install with (2) PR20CS Connector Sleeves (Sold Separately)



- Adhere With LT32629 Cement and LT7649 Primer (See Page 82).
- Custom Fabrication Services Available. Contact FHC Technical Sales for a Quote

ITEM NO.	FINISH
PR20VBS	Brushed Stainless
PR20VPS	Polished Stainless

Minimum Order: 1 Each.

### FHC End Caps for 2" Square Pipe Rail

- Flat End Cap
- For PR20BS 2" x 2" Square Rail With 3/16" Wall Thickness
- Adhere With LT32629 Cement and LT7649 Primer (See Page 82)
- Custom Angles and Fittings Available. Contact FHC Technical Sales for More Information



ITEM NO.	FINISH
PR20ECBS	Brushed Stainless
PR20ECPS	Polished Stainless

Minimum Order: 1 Each.

visit [fhc-usa.com](http://fhc-usa.com) to search for

Railing Posts



Enter the Item Number or scan QR code with your smartphone for complete product details



### FHC Connector Sleeves for 2" Square Pipe Rail

- For PR20BS 2" x 2" Square Rail With 3/16" Wall Thickness
- 5 Long Internal Connector
- Mill Stainless Steel
- Adhere With LT32629 Cement and LT7649 Primer (See Page 82)



ITEM NO. **PR20CS**  
Minimum Order 1 Each

4361 Firestone Blvd. South Gate, CA 90280  
Toll Free: (888) 295-4531 | Direct: (323) 968-2031  
Fax: (323) 336-8307 | [fhc-usa.com](http://fhc-usa.com)



## FHC F-Series Post Railing System Accessories

### Loctite® Metal Contact Cement

- Provides a 60 Second Fixture Time and 24 Hour Final Cure
- Delivers Great Performance with a Shear Strength of 2200 PSI and Tensile Strength of 4900 PSI
- Use Primer Item No. LT7649
- Comes in a 50 ml Bottle



ITEM NO. **LT32629**  
Minimum Order: 1 Each

### Loctite® 60 Second Primer

- 60 Second Activation Primer
- For use with Metal Contact Cement Item No. LT32629
- 1.75 fl oz Bottle



ITEM NO. **LT7649**  
Minimum Order: 1 Each

### FHC Stainless Steel Cleaner

- Rust Removal, Passivation, and Cleaning for Stainless Steel.
- 22-Ounce Bottle With A Convenient Trigger Sprayer
- Treats Up to 90 Square Feet of Surface Area.



**Rust Removal and Cleaner**



ITEM NO. **CS77P**  
Minimum Order: 1 Each

### FHC Micro Fiber Cloths

- Large 16" X 16" Size
- Traps Dirt and Grime
- Washable & Re-Usable
- 4 Per Pack



ITEM NO. **MFC16**  
Minimum Order: 1 Pack

### FHC Abrasive Finishing Hand Pads

- Two Styles to Select From: Fine and Abrasive
- Great for Cleaning, Finishing, and Blending Brushed Stainless Steel Finishes
- Use By Hand or With Hand Pad Block
- Deburrs Metal Edges and Cleans
- 6" x 9" Finishing Pads



ITEM NO.	DESCRIPTION
FHCFP1	Fine Grit Abrasive
FHCAP2	Heavy Grit Abrasive

Minimum Order: 1 Each.

ITEM NO. **FHCFP1**  
Fine Grit Abrasive



ITEM NO. **FHCAP2**  
Heavy Grit Abrasive



Loctite is a registered trademark of Henkel Corporation.



**THE GLAZING SUPPLY COMPANY**  
EXPERIENCE AND INNOVATION



visit [fhc-usa.com](http://fhc-usa.com) to search for

Tools

Enter the Item Number or scan QR code with your smartphone for complete product details

PROFESSIONAL GRADE

# Section 5

FHC HANDRAILS, BRACKETS & COMPONENTS

Pages 83 to 98

- FHC Elysian Series Handrail Brackets
- FHC Valley Series Handrail Brackets
- FHC Highland Series Handrail Brackets
- FHC Brea Series Handrail Brackets
- FHC Melrose Series Handrail Brackets
- FHC Handrail Saddles
- FHC Flange and End Caps
- FHC Handrail Corners
- FHC Handrail Tubing

Chat With FHC On Our Website  
to Get Real Time Expert Support  
from Knowledgeable Reps

Chat With Us!



**THE GLAZING SUPPLY COMPANY**  
EXPERIENCE AND INNOVATION

4361 Firestone Blvd. South Gate, CA 90280  
Toll Free: (888) 295-4531 | Direct: (323) 968-2031  
Fax: (323) 336-8307 | fhc-usa.com

**FHC**<sup>®</sup>  
FRAMELESS HARDWARE COMPANY

# FHC Handrail, Tubing, Brackets & Components

- For Commercial and Residential Projects
- Glass Mount, Wall Mount, and Post Mount Handrail Bracket Options
- Wide Selection of Architectural Finishes, Custom Finishes Also Available
- Full Line of Supporting Component Parts and Accessories
- Designed and Manufactured to Meet and Exceed Building Codes and ADA Standards

FHC designs and manufactures a full line of commercial and residential Handrail Systems that meet and exceed the strictest code requirements across the USA. All of our handrail products are easy to install and add a "Wow" factor to the design of the project. You can purchase stock length tubing and components to fabricate yourself or utilize FHC's manufacturing facility to custom fabricate your handrail exactly to your specifications. FHC specializes in cutting, bending, welding, and finishing services. For more information contact FHC today to speak to a Technical Service Representative about your next project.

Chat With FHC On Our Website  
to Get Real Time Expert Support  
from Knowledgeable Reps

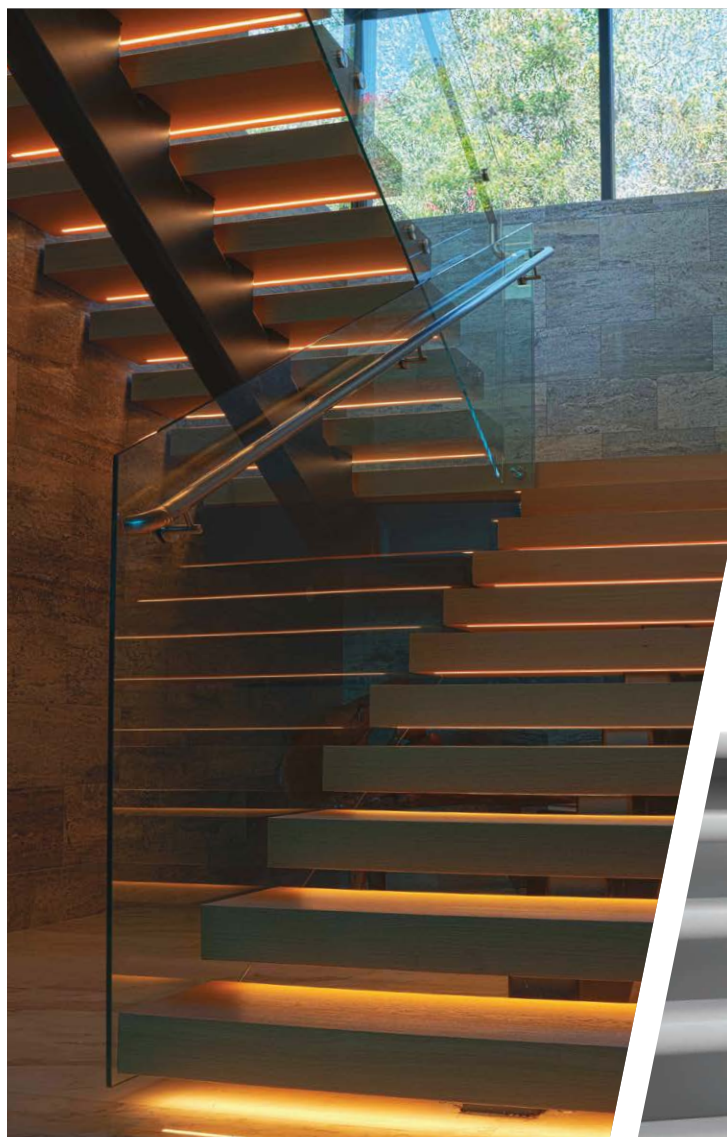
Chat With Us!



CSI DIVISION 05

SECTION

05 7300



**FHC**<sup>®</sup>  
FRAMELESS HARDWARE COMPANY

THE GLAZING SUPPLY COMPANY  
EXPERIENCE AND INNOVATION



visit [fhc-usa.com](http://fhc-usa.com) to search for

Handrail



Enter the Item Number or scan QR code with your smartphone for complete product details

FHC Handrail Brackets & Components

# Handrail Installation

## Step 1

Order tempered or laminated tempered glass with 3/4" diameter holes in the glass panels. FHC Handrail Brackets, for glass balusters, require 3/4" holes in order to provide clearance for the mounting plates and allow movement for minor adjustments when required. Refer to your shop drawings for hole locations.

## Step 2

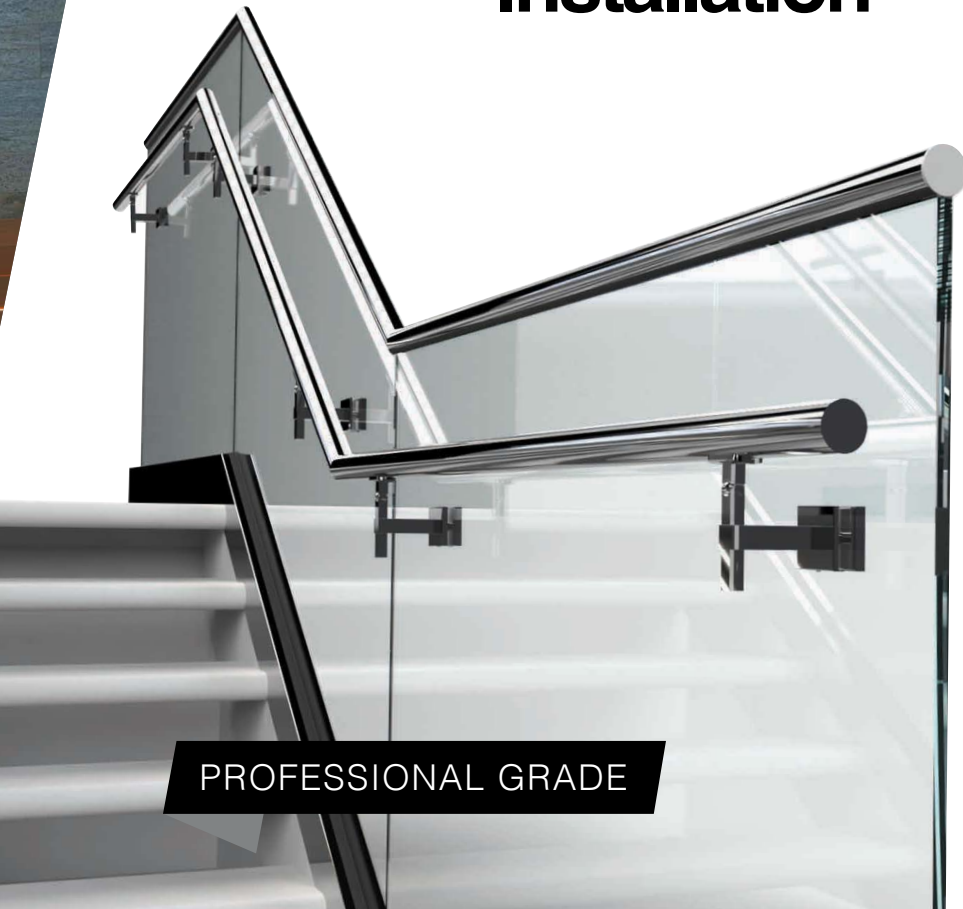
Install the brackets for the entire run of handrail on one side. Leave each bracket slightly loose so they can be positioned to match the handrails.

## Step 3

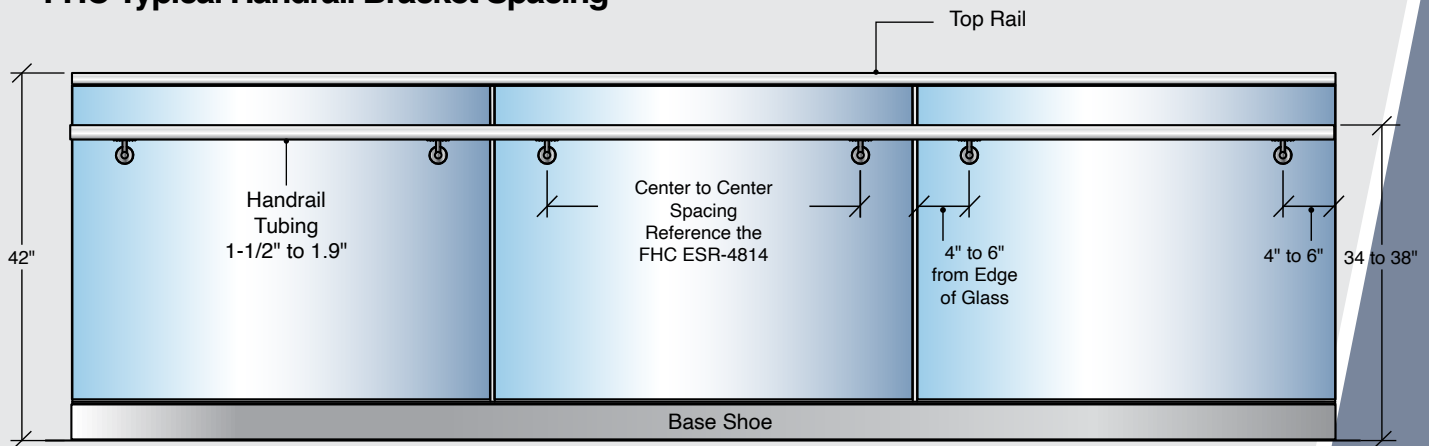
Temporarily clamp the handrail to the bracket saddles and attach with the bracket screws provided. Refer to FHC website, [fhc-usa.com](http://fhc-usa.com) for a complete collection of handrail hardware and expert advice.



**NOTE:** Reference the FHC ESR-4814 for recommended Handrail Bracket Spacing.



## FHC Typical Handrail Bracket Spacing



visit [fhc-usa.com](http://fhc-usa.com) to search for

Handrail



Enter the Item Number or scan QR code with your smartphone for complete product details



4361 Firestone Blvd. South Gate, CA 90280  
 Toll Free: (888) 295-4531 | Direct: (323) 968-2031  
 Fax: (323) 336-8307 | [fhc-usa.com](http://fhc-usa.com)



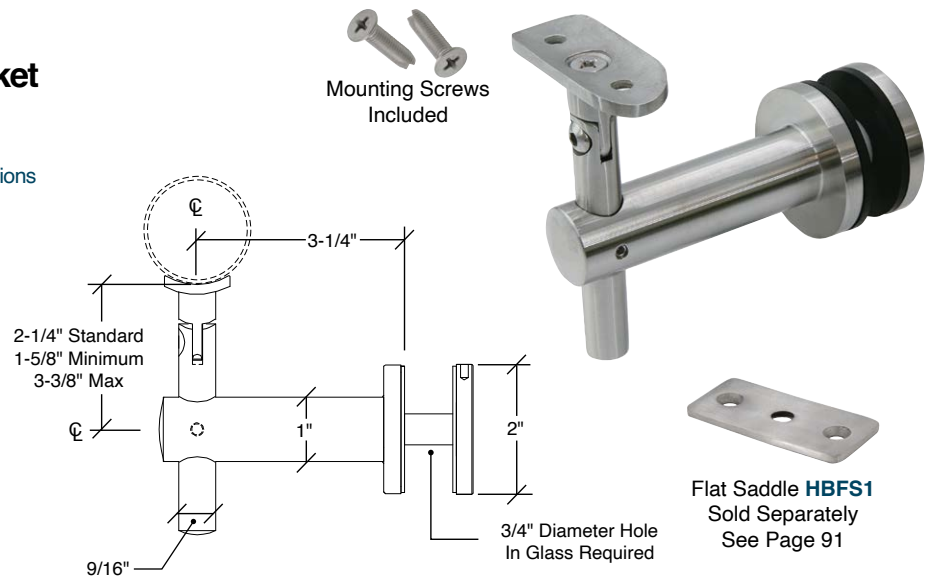
## FHC Handrail Brackets

### FHC Elysian Series Glass Mounted Handrail Bracket

- For 1/2" to 13/16" Glass Thickness
- Adjustable Stem Height
- Swivel Saddle Ideal for Stair and Ramp Installations
- For 1-1/2" - 2" Diameter Handrail
- Includes (2) #10-32 Thread Cutting Screws
- 316 Grade Stainless Steel

ITEM NO.	FINISH
HB2GBS	Brushed Stainless
HB2GPS	Polished Stainless
HB2GMB	Matte Black

Minimum Order: 1 Each.

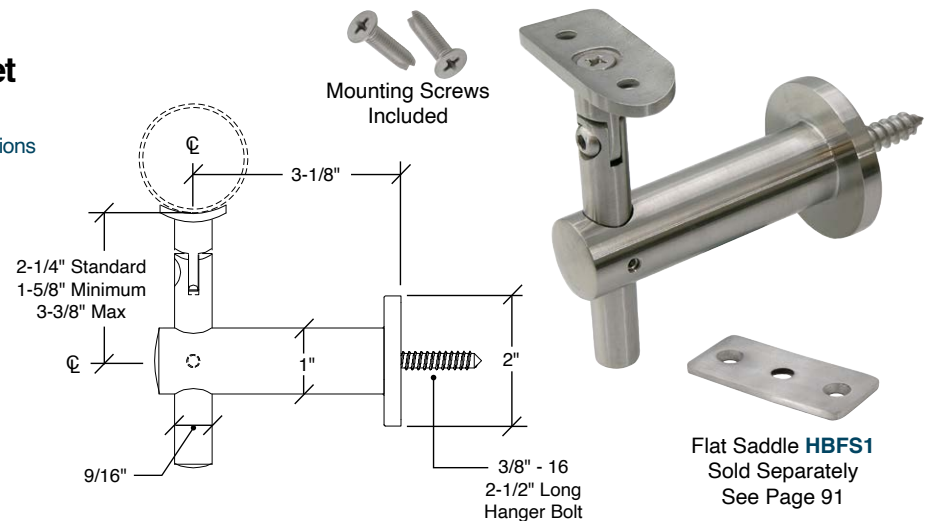


### FHC Elysian Series Wall Mounted Handrail Bracket

- Adjustable Stem Height
- Swivel Saddle Ideal for Stair and Ramp Installations
- For 1-1/2" - 2" Diameter Handrail
- Includes (2) #10-32 Thread Cutting Screws
- Includes (1) 3/8" - 16 Hanger Bolt
- 316 Grade Stainless Steel

ITEM NO.	FINISH
HB2WBS	Brushed Stainless
HB2WPS	Polished Stainless
HB2WMB	Matte Black

Minimum Order: 1 Each.

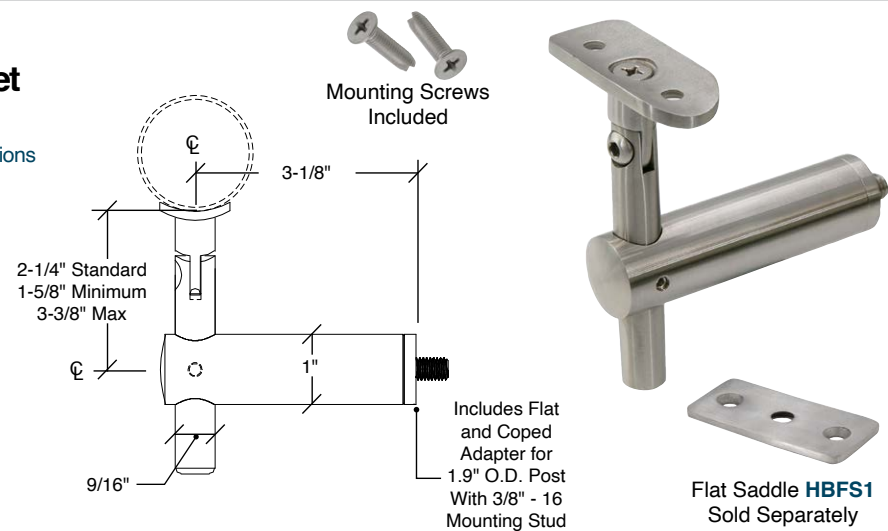


### FHC Elysian Series Post Mounted Handrail Bracket

- Adjustable Stem Height
- Swivel Saddle Ideal for Stair and Ramp Installations
- For 1-1/2" - 2" Diameter Handrail
- Includes Adapter for Round or Flat Post
- Includes (2) #10-32 Thread Cutting Screws
- 316 Grade Stainless Steel

ITEM NO.	FINISH
HB2PBS	Brushed Stainless
HB2PPS	Polished Stainless
HB2PMB	Matte Black

Minimum Order: 1 Each.



THE GLAZING SUPPLY COMPANY  
EXPERIENCE AND INNOVATION



visit [fhc-usa.com](http://fhc-usa.com) to search for

Handrail



Enter the Item Number or scan QR code with your smartphone for complete product details

## FHC Handrail Brackets

### FHC Valley Series Glass Mounted Handrail Bracket

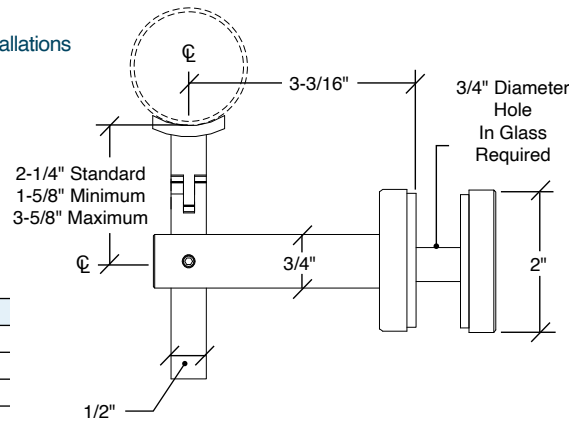
- For 1/2" to 13/16" Glass Thickness
- Modern Square Design
- Adjustable Stem Height
- Swivel Saddle Ideal for Stair and Ramp Installations
- For 1-1/2" - 2" Diameter Handrail
- Includes (2) #10-32 Thread Cutting Screws
- Flat Adapter Saddle Included
- 316 Grade Stainless Steel

ITEM NO.	FINISH
HB3GBS	Brushed Stainless
HB3GPS	Polished Stainless
HB3GMB	Matte Black

Minimum Order: 1 Each.

**NEW**

Mounting Screws  
Included



Flat Saddle **HBFS1**  
Included

### FHC Valley Series Wall Mounted Handrail Bracket

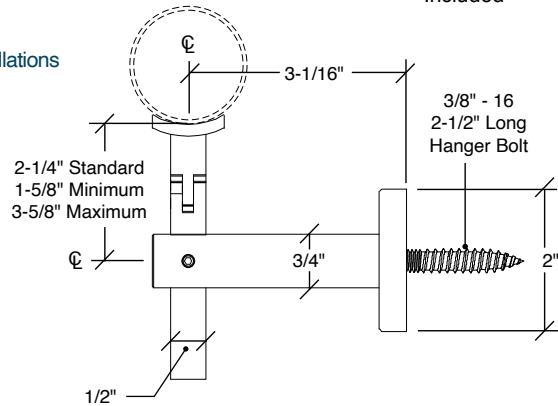
- Modern Square Design
- Adjustable Stem Height
- Swivel Saddle Ideal for Stair and Ramp Installations
- For 1-1/2" - 2" Diameter Handrail
- Includes (2) #10-32 Thread Cutting Screws
- Includes (1) 3/8"-16 Hanger Bolt
- Flat Adapter Saddle Included
- 316 Grade Stainless Steel

ITEM NO.	FINISH
HB3WBS	Brushed Stainless
HB3WPS	Polished Stainless
HB3WMB	Matte Black

Minimum Order: 1 Each.

**NEW**

Mounting Screws  
Included



Flat Saddle **HBFS1**  
Included

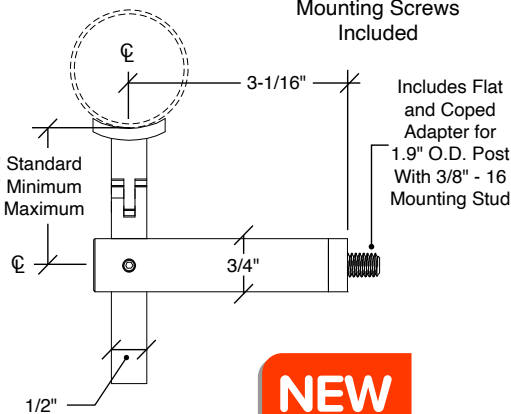
### FHC Valley Series Post Mounted Handrail Bracket

- Modern Square Design
- Adjustable Stem Height
- Swivel Saddle Ideal for Stair and Ramp Installations
- For 1-1/2" - 2" Diameter Handrail
- Includes Adapter for Round or Flat Post
- Includes (2) #10-32 Thread Cutting Screws
- Flat Adapter Saddle Included
- 316 Grade Stainless Steel

ITEM NO.	FINISH
HB3PBS	Brushed Stainless
HB3PPS	Polished Stainless
HB3PMB	Matte Black

Minimum Order: 1 Each.

Mounting Screws  
Included



Includes Flat and Coped Adapter for 1.9" O.D. Post With 3/8" - 16 Mounting Stud



Flat Saddle **HBFS1**  
Included

**NEW**

visit [fhc-usa.com](http://fhc-usa.com) to search for

Handrail



Enter the Item Number or scan QR code with your smartphone for complete product details



4361 Firestone Blvd. South Gate, CA 90280  
Toll Free: (888) 295-4531 | Direct: (323) 968-2031  
Fax: (323) 336-8307 | [fhc-usa.com](http://fhc-usa.com)

**FHC**  
FRAMELESS HARDWARE COMPANY

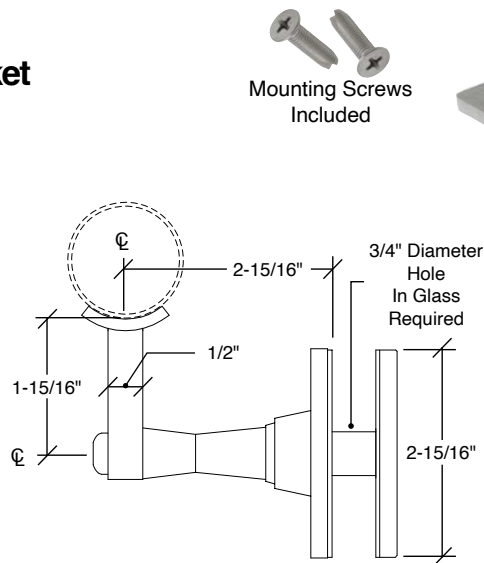
## FHC Handrail Brackets

### FHC Highland Series Glass Mounted Handrail Bracket

- For 1/2" to 13/16" Glass Thickness
- For 1-1/2" - 2" Diameter Handrail
- Includes (2) #10-32 Thread Cutting Screws

ITEM NO.	FINISH
HB4GBS	Brushed Stainless - 316 Grade
HB4GPS	Polished Stainless - 316 Grade
HB4GMB	Matte Black
HB4GSA	Satin Anodized

Minimum Order: 1 Each.



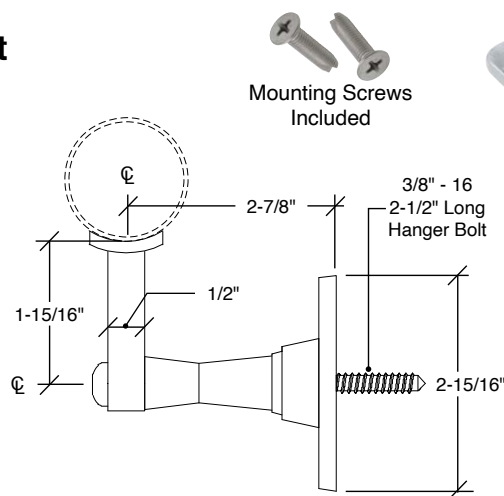
Flat Saddle **HBFS1**  
Sold Separately  
See Page 91

### FHC Highland Series Wall Mounted Handrail Bracket

- For 1-1/2" - 2" Diameter Handrail
- Includes (2) #10-32 Thread Cutting Screws
- Includes (1) 3/8" - 16 Hanger Bolt - 2-1/2" Long

ITEM NO.	FINISH
HB4WBS	Brushed Stainless - 316 Grade
HB4WPS	Polished Stainless - 316 Grade
HB4WMB	Matte Black
HB4WSA	Satin Anodized

Minimum Order: 1 Each.



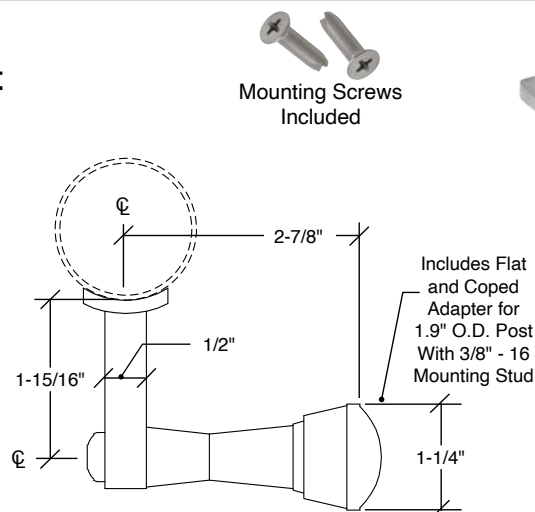
Flat Saddle **HBFS1**  
Sold Separately  
See Page 91

### FHC Highland Series Post Mounted Handrail Bracket

- For 1-1/2" - 2" Diameter Handrail
- Includes Adapter for Round or Flat Post
- Includes (2) #10-32 Thread Cutting Screws

ITEM NO.	FINISH
HB4PBS	Brushed Stainless - 316 Grade
HB4PPS	Polished Stainless - 316 Grade
HB4PMB	Matte Black
HB4PSA	Satin Anodized

Minimum Order: 1 Each.



Flat Saddle **HBFS1**  
Sold Separately  
See Page 91



THE GLAZING SUPPLY COMPANY  
EXPERIENCE AND INNOVATION



visit [fhc-usa.com](http://fhc-usa.com) to search for

Handrail



Enter the Item Number or scan QR code with your smartphone for complete product details



## FHC Handrail Brackets

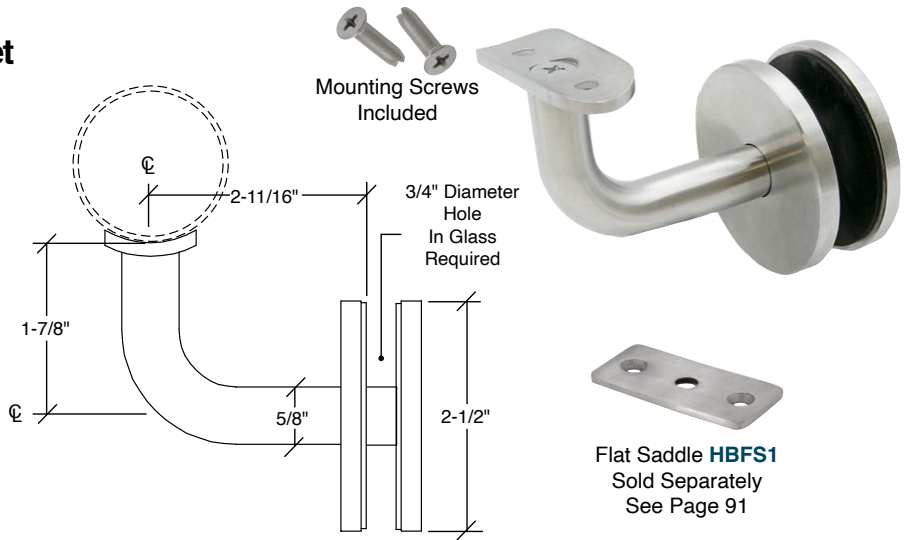
### FHC Brea Series Glass Mounted Handrail Bracket

- For 1/2" to 13/16" Glass Thickness
- For 1-1/2" - 2" Diameter Hand Rail
- Includes (2) #10-32 Thread Cutting Screws
- 316 Grade Stainless Steel

**NEW**

ITEM NO.	FINISH
HB5GBS	Brushed Stainless
HB5GPS	Polished Stainless
HB5GMB	Matte Black

Minimum Order: 1 Each.



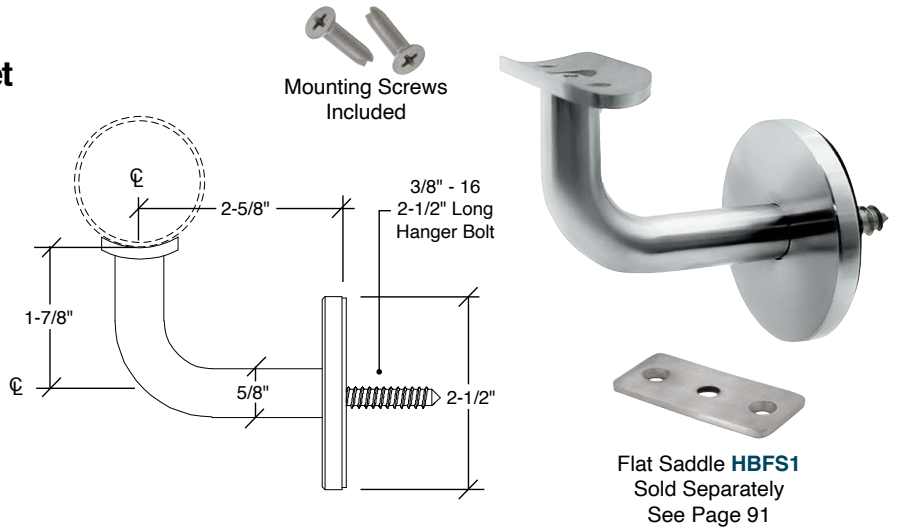
### FHC Brea Series Wall Mounted Handrail Bracket

- For 1-1/2" - 2" Diameter Handrail
- Includes (2) #10-32 Thread Cutting Screws
- Includes (1) 3/8" - 16 Hanger Bolt
- 316 Grade Stainless Steel

**NEW**

ITEM NO.	FINISH
HB5WBS	Brushed Stainless
HB5WPS	Polished Stainless
HB5WMB	Matte Black

Minimum Order: 1 Each.



### FHC Brea Series Post Mounted Handrail Bracket

- For 1-1/2" - 2" Diameter Handrail
- Includes Adapter for Round or Flat Post
- Includes (2) #10-32 Thread Cutting Screws
- 316 Grade Stainless Steel

**NEW**

ITEM NO.	FINISH
HB5PBS	Brushed Stainless
HB5PPS	Polished Stainless
HB5PMB	Matte Black

Minimum Order: 1 Each.



visit [fhc-usa.com](http://fhc-usa.com) to search for

Handrail



Enter the Item Number or scan QR code with your smartphone for complete product details



4361 Firestone Blvd. South Gate, CA 90280  
Toll Free: (888) 295-4531 | Direct: (323) 968-2031  
Fax: (323) 336-8307 | [fhc-usa.com](http://fhc-usa.com)

**FHC**  
FRAMELESS HARDWARE COMPANY

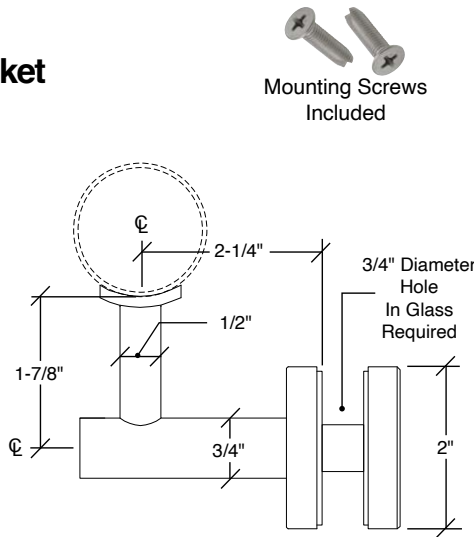
## FHC Handrail Brackets

### FHC Melrose Series Glass Mounted Handrail Bracket

- For 1/2" - 13/16" Glass Thickness
- For 1-1/2" Diameter Handrail
- Includes (2) #10-32 Thread Cutting Screws
- Flat Adapter Saddle Sold Separately
- 316 Grade Stainless Steel

ITEM NO.	FINISH
HB6GBS	Brushed Stainless
HB6GPS	Polished Stainless
HB6GMB	Matte Black

Minimum Order: 1 Each.



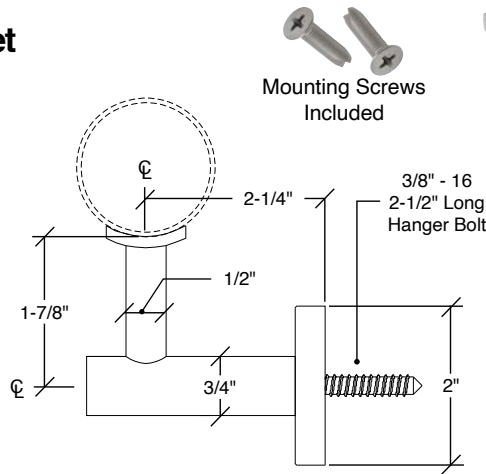
Flat Saddle **HBFS1**  
Sold Separately  
See Page 91

### FHC Melrose Series Wall Mounted Handrail Bracket

- For 1-1/2" Diameter Handrail
- Includes (1) 3/8" - 16 Hanger Bolt
- Includes (2) #10-32 Thread Cutting Screws
- Flat Adapter Saddle Sold Separately
- 316 Grade Stainless Steel

ITEM NO.	FINISH
HB6WBS	Brushed Stainless
HB6WPS	Polished Stainless
HB6WMB	Matte Black

Minimum Order: 1 Each.



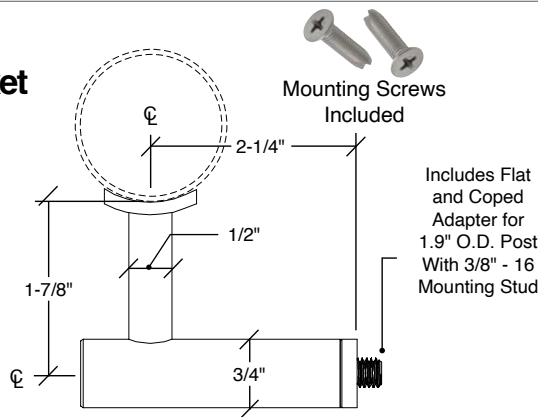
Flat Saddle **HBFS1**  
Sold Separately  
See Page 91

### FHC Melrose Series Post Mounted Handrail Bracket

- For 1-1/2" - 2" Diameter Handrail
- Includes Adapter for Round or Flat Post
- Includes (2) #10-32 Thread Cutting Screws
- Flat Adapter Saddle Sold Separately
- 316 Grade Stainless Steel

ITEM NO.	FINISH
HB6PBS	Brushed Stainless
HB6PPS	Polished Stainless
HB6PMB	Matte Black

Minimum Order: 1 Each.



Flat Saddle **HBFS1**  
Sold Separately  
See Page 91



**THE GLAZING SUPPLY COMPANY**  
EXPERIENCE AND INNOVATION



visit [fhc-usa.com](http://fhc-usa.com) to search for

**Handrail**

Enter the Item Number or scan QR code with your smartphone for complete product details

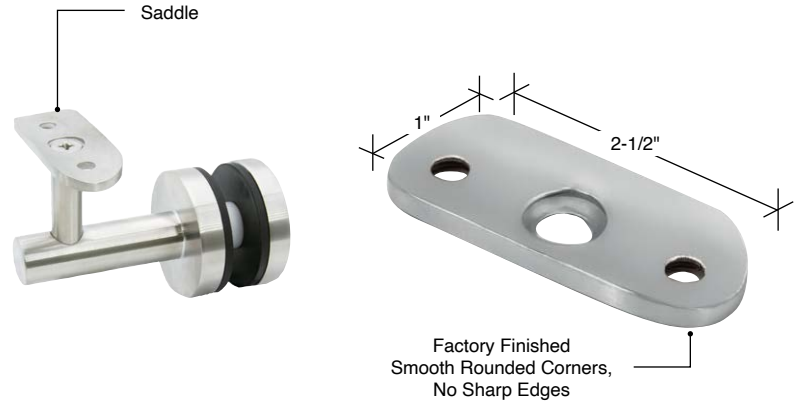
## FHC Handrail Brackets

### FHC Replacement Curved Saddles

- Replacement Saddle for FHC Handrail Brackets
- For 1-1/2" - 2" Diameter Handrail
- Pre-Drilled and Countersunk for (2) #10 Screws (Sold Separately)

ITEM NO.	FINISH
HBRS1BS	Brushed Stainless
HBRS1PS	Polished Stainless
HBRS1MB	Matte Black
HBRS1SA	Satin Anodized

Minimum Order: 1 Each.



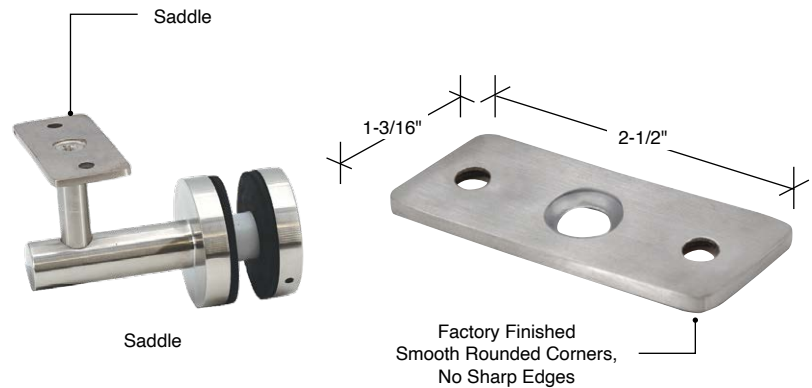
Handrail Brackets sold separately. See pages 86-90

### FHC Replacement Flat Saddles

- Flat Saddle for FHC Handrail Brackets
- For Square or Rectangular Handrail
- Pre-Drilled and Countersunk for (2) #10 Screws (Sold Separately)

ITEM NO.	FINISH
HBFS1BS	Brushed Stainless
HBFS1PS	Polished Stainless
HBFS1MB	Matte Black
HBFS1SA	Satin Anodized

Minimum Order: 1 Each.



Handrail Brackets sold separately. See pages 86-90

### FHC 10-32 Thread Cutting Screws

- Thread Cutting Screw
- 3/4" Long Stainless Steel
- Used to Fasten Brackets to Handrail
- 100 Screws Per Pack



Item No. **HB10X32TC**  
Minimum Order: 1 Pack

### FHC 3/8"-16 Hanger Bolts

- Stainless Steel
- For Wall Mount Handrail Brackets
- Available in Two Lengths
- 10 Per Pack



ITEM NO.	LENGTH
HB38X3	3" LONG
HB38X212	2-1/2" LONG

Minimum Order: 1 Each.

### FHC Cap Wrench For 2" Diameter Brackets

- Used to Loosen or Tighten Glass Mounted Handrail Brackets
- For 2" Diameter Handrail Backplate Caps



Item No. **RSW2**  
Minimum Order: 1 Each

visit [fhc-usa.com](http://fhc-usa.com) to search for

Handrail



Enter the Item Number or scan QR code with your smartphone for complete product details



4361 Firestone Blvd. South Gate, CA 90280  
Toll Free: (888) 295-4531 | Direct: (323) 968-2031  
Fax: (323) 336-8307 | [fhc-usa.com](http://fhc-usa.com)

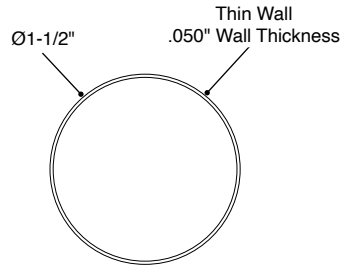
**FHC**  
FRAMELESS HARDWARE COMPANY

## FHC Handrail Components

### FHC 1-1/2" O.D.

#### Thin Wall .050" Handrail Tubing

- 304 Grade Stainless Steel
- End Caps, Corners, Sleeves and Handrail Brackets Sold Separately
- Custom Angles and Fittings Available. Contact FHC Technical Sales for More Information



Linear Brushed Stainless Finish Shown

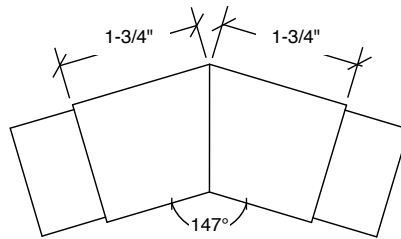


ITEM NO.	FINISH	LENGTH
THR15BS	Brushed Stainless	236"
THR15PS	Polished Stainless	236"

Minimum Order: 1 Each. Must Ship Common Carrier

### FHC Stainless Steel Handrail 147 Degree Flush Angle

- For Use With THR15 1-1/2" Diameter Handrail .050" Wall Thickness
- Custom Angles and Fittings Available. Contact FHC Technical Sales for More Information
- Use Item No. LT32629 Metal Contact Cement and Item No. LT7649 Primer for Attachment (See Page 98)
- 304 Grade Stainless Steel

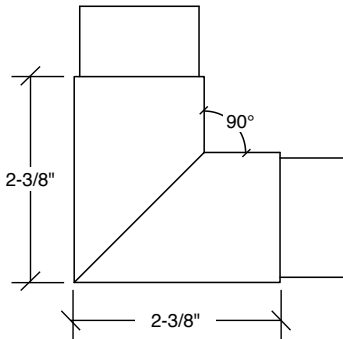


ITEM NO.	FINISH
THR15ABS	Brushed Stainless
THR15APS	Polished Stainless

Minimum Order: 1 Each.

### FHC Stainless Steel Handrail 90 Degree Corner

- 90 Degree Flush Angle
- For Use With THR15 1-1/2" Diameter Handrail .050" Wall Thickness
- Custom Angles and Fittings Available. Contact FHC Technical Sales for More Information
- Use Item No. LT32629 Metal Contact Cement and Item No. LT7649 Primer for Attachment (See Page 98)
- 304 Grade Stainless Steel

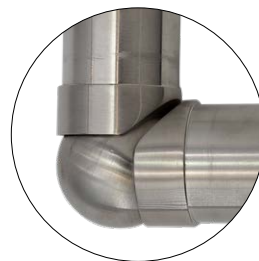


ITEM NO.	FINISH
THR15MCBS	Brushed Stainless
THR15MCPS	Polished Stainless

Minimum Order: 1 Each.

### FHC Stainless Steel Adjustable Corner

- Adjustable Flush Angle
- For Use With THR15 1-1/2" Diameter Handrail .050" Wall Thickness
- Linear Hairline Brushed Finish
- Custom Angles and Fittings Available. Contact FHC Technical Sales for More Information
- Use Item No. LT32629 Metal Contact Cement and Item No. LT7649 Primer for Attachment (See Page 98)
- 304 Grade Stainless Steel



Innovative Design  
Adjustable From  
90° - 180°



ITEM NO.	FINISH
THR15ADJBS	Brushed Stainless
THR15ADJPS	Polished Stainless

Minimum Order: 1 Each.



THE GLAZING SUPPLY COMPANY  
EXPERIENCE AND INNOVATION



visit [fhc-usa.com](http://fhc-usa.com) to search for

Handrail

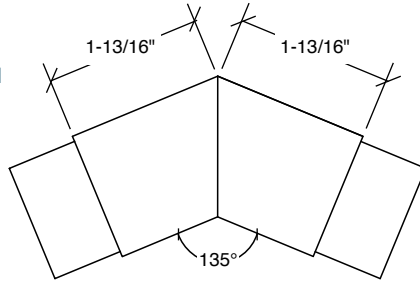


Enter the Item Number or scan QR code with your smartphone for complete product details

## FHC Handrail Components

### FHC Stainless Steel Handrail 135 Degree Flush Angle

- For Use With THR15 1-1/2" Diameter Handrail .050" Wall Thickness
- Custom Angles and Fittings Available. Contact FHC Technical Sales for More Information
- Use Item No. LT32629 Metal Contact Cement and Item No. LT7649 Primer for Attachment (See Page 98)
- 304 Grade Stainless Steel

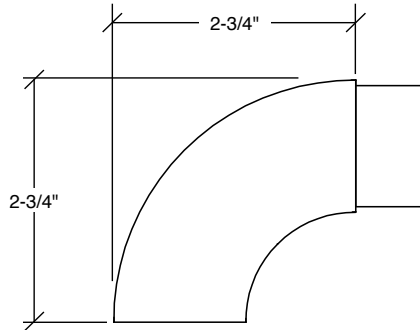


ITEM NO.	FINISH
THR15MBS	Brushed Stainless
THR15MPS	Polished Stainless

Minimum Order: 1 Each.

### FHC Stainless Steel Handrail Returned End Cap

- For Use With THR15 1-1/2" Diameter Handrail .050" Wall Thickness
- Custom Angles and Fittings Available. Contact FHC Technical Sales for More Information
- Use Item No. LT32629 Metal Contact Cement and Item No. LT7649 Primer for Attachment (See Page 98)
- 304 Grade Stainless Steel



ITEM NO.	FINISH
THR15RBS	Brushed Stainless
THR15RPS	Polished Stainless

Minimum Order: 1 Each.

### FHC Stainless Steel Flat End Cap

- For Use With THR15 1-1/2" Diameter Handrail .050" Wall Thickness
- Custom Angles and Fittings Available. Contact FHC Technical Sales for More Information
- Use Item No. LT32629 Metal Contact Cement and Item No. LT7649 Primer for Attachment (See Page 98)
- 304 Grade Stainless Steel

Sold Separately  
Item No. **THR15**



1/8" Thick



ITEM NO.	FINISH
THR15ECBS	Brushed Stainless
THR15ECPS	Polished Stainless

Minimum Order: 1 Each.

### FHC Stainless Steel Domed End Cap

- For Use With THR15 1-1/2" Diameter Handrail .050" Wall Thickness
- Custom Angles and Fittings Available. Contact FHC Technical Sales for More Information
- Use Item No. LT32629 Metal Contact Cement and Item No. LT7649 Primer for Attachment (See Page 98)
- 304 Grade Stainless Steel

Sold Separately  
Item No. **THR15**



11/16"



ITEM NO.	FINISH
THR15DBS	Brushed Stainless
THR15DPS	Polished Stainless

Minimum Order: 1 Each.

visit [fhc-usa.com](http://fhc-usa.com) to search for

Handrail



Enter the Item Number or scan QR code with your smartphone for complete product details



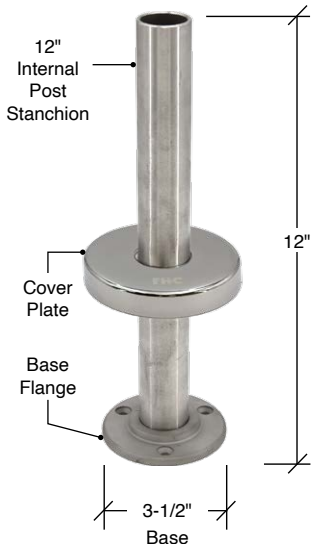
4361 Firestone Blvd. South Gate, CA 90280  
Toll Free: (888) 295-4531 | Direct: (323) 968-2031  
Fax: (323) 336-8307 | [fhc-usa.com](http://fhc-usa.com)



## FHC Handrail Components

### FHC Stainless Steel Flange, Stanchion, and Cover

- 12" Tall Internal Steel Stanchion With Floor Mount Plate
- For Use With THR15 1-1/2" Diameter Tubing with .050" Wall Thickness
- Includes Stainless Steel Cover Plate
- Use Item No. LT32629 Metal Contact Cement and Item No. LT7649 Primer for Attachment (See Page 98)



ITEM NO.	FINISH
THR15XBS	Brushed Stainless
THR15XPS	Polished Stainless

Minimum Order: 1 Each.

### FHC Stainless Steel Flange Cover

- Cover Plate Only
- 4-3/16" Diameter
- For Use With 1-1/2" Outside Diameter Tubing

**NEW**



ITEM NO.	FINISH
THR15CBS	Brushed Stainless
THR15CPS	Polished Stainless

Minimum Order: 1 Each.

### FHC Stainless Steel Full Flange

- For Use with THR15 1-1/2" Outside Diameter Tubing
- Used for Wall or Floor Mount Installations
- Includes (3) #12 Flat Head Mounting Screws



ITEM NO.	FINISH
THR15YBS	Brushed Stainless
THR15YPS	Polished Stainless

Minimum Order: 1 Each.

### FHC Concealed Mounting Base

- Use with 1-1/2" Diameter Stainless Tubing FHC Item No. THR15 for Concealed Mounting
- Mill Stainless Steel
- Drilled & Tapped 5/16"-18 (One Side Only)
- Use Item No. LT32629 Metal Contact Cement and Item No. LT7649 Primer for Attachment (See Page 98)



Item No. **THR15CMB**  
Minimum Order: 1 Each

### FHC Stainless Steel Floor Socket With Cap

**NEW**

- Use with 1-1/2" Diameter Handrail Fittings
- Floor Socket With Removable Cap
- For Use With 1-1/2" Outside Diameter Tubing



ITEM NO.	FINISH
THR15FSBS	Brushed Stainless
THR15FSPS	Polished Stainless

Minimum Order: 1 Each.

### FHC Stainless Steel Straight Saddle

- 1-1/2" Diameter Handrail Fittings
- For Use With THR15 1-1/2" Diameter Handrail .050" Wall Thickness
- Top Saddle Accepts 1-1/2" Diameter O.D. Tubing



ITEM NO.	FINISH
THR15VBS	Brushed Stainless
THR15VPS	Polished Stainless

Minimum Order: 1 Each.

### FHC Connector Sleeves

- Use with 1-1/2" Diameter Stainless Tubing FHC Item No. THR15
- 5" long Internal Connector
- Mill Stainless Steel
- Use Item No. LT32629 Metal Contact Cement and Item No. LT7649 Primer for Attachment (See Page 98)



Item No. **THR15CSS**  
Minimum Order: 1 Each



**THE GLAZING SUPPLY COMPANY**  
EXPERIENCE AND INNOVATION



visit [fhc-usa.com](http://fhc-usa.com) to search for

Handrail

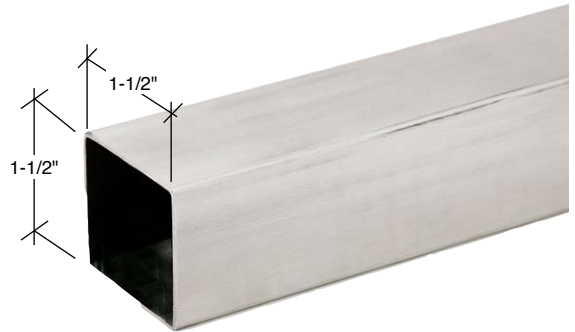
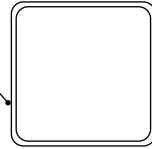
Enter the Item Number or scan QR code with your smartphone for complete product details

# FHC Handrail Components

## FHC 1-1/2" Square Handrail Tubing

- .050" Wall Thickness
- 236" Lengths
- Available in Brushed and Polished Stainless Steel Finish
- End Caps, Corners, Sleeves and Handrail Brackets Sold Separately
- Custom Angles and Fittings Available. Contact FHC Technical Sales for More Information
- Use Item No. LT32629 Metal Contact Cement and Item No. LT7649 Primer for Attachment (See Page 98)
- 304 Grade Stainless Steel

Thin Wall  
.050" Wall Thickness



ITEM NO.	FINISH	LENGTH
THS15BS	Brushed Stainless	236"
THS15PS	Polished Stainless	236"

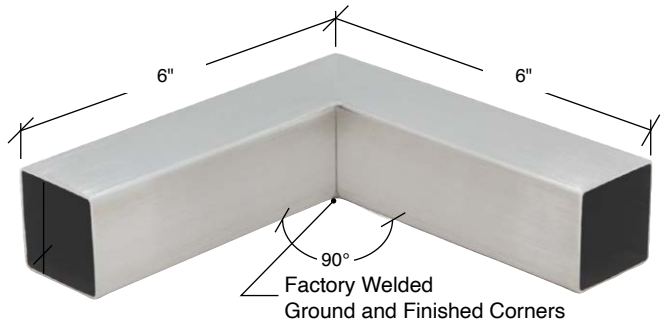
Minimum Order: 1 Each. Must ship Common Carrier.

## FHC Square Handrail 90 Degree Corner

- 6" x 6" Outside Dimension
- For Use With FHC's THS15 1-1/2" Square Handrail
- Available in Brushed and Polished Stainless Steel Finish
- Requires (2) THS15CSS Connectors per Corner (See page 96)
- Custom Angles and Fittings Available. Contact FHC Technical Sales for More Information
- Use Item No. LT32629 Metal Contact Cement and Item No. LT7649 Primer for Attachment (See Page 98)
- 304 Grade Stainless Steel

ITEM NO.	FINISH
THS15HBS	Brushed Stainless
THS15HPS	Polished Stainless

Minimum Order: 1 Each.

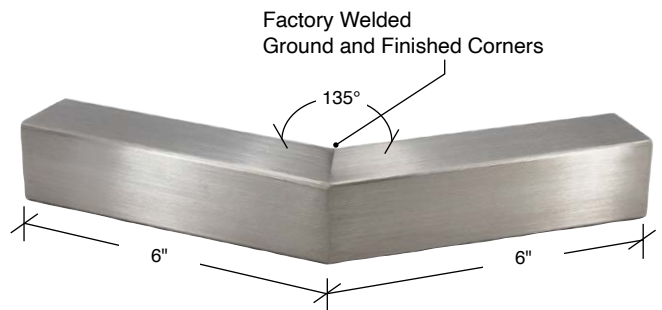


## FHC Square Handrail 135 Degree Corner

- 6" x 6" Outside Dimension
- For Use With FHC's THS15 1-1/2" Square Handrail
- Available in Brushed and Polished Stainless Steel Finish
- Requires (2) THS15CSS Connectors per Corner (See page 96)
- Custom Angles and Fittings Available. Contact FHC Technical Sales for More Information
- Use Item No. LT32629 Metal Contact Cement and Item No. LT7649 Primer for Attachment (See Page 98)
- 304 Grade Stainless Steel

ITEM NO.	FINISH
THS15H3BS	Brushed Stainless
THS15H3PS	Polished Stainless

Minimum Order: 1 Each.

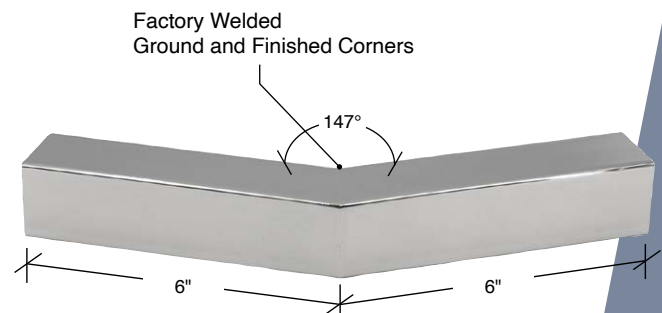


## FHC Square Handrail 147 Degree Corner

- Commonly Used at the Top and Bottom of Stair
- 6" x 6" Outside Dimension
- For Use With FHC's THS15 1-1/2" Square Handrail
- Available in Brushed and Polished Stainless Steel Finish
- Requires (2) THS15CSS Connectors per Corner (See page 96)
- Custom Angles and Fittings Available. Contact FHC Technical Sales for More Information
- Use Item No. LT32629 Metal Contact Cement and Item No. LT7649 Primer for Attachment (See Page 98)
- 304 Grade Stainless Steel

ITEM NO.	FINISH
THS15H7BS	Brushed Stainless
THS15H7PS	Polished Stainless

Minimum Order: 1 Each.



visit [fhc-usa.com](http://fhc-usa.com) to search for

Handrail



Enter the Item Number or scan QR code with your smartphone for complete product details



4361 Firestone Blvd. South Gate, CA 90280  
Toll Free: (888) 295-4531 | Direct: (323) 968-2031  
Fax: (323) 336-8307 | [fhc-usa.com](http://fhc-usa.com)



## FHC Handrail Components

### FHC Handrail End Cap

- For Use With FHC's THS15 1-1/2" Square Handrail (THS15BS)
- Custom Angles and Fittings Available. Contact FHC Technical Sales for More Information
- Use Item No. LT32629 Metal Contact Cement and Item No. LT7649 Primer for Attachment (See Page 98)
- 304 Grade Stainless Steel

1/16" Thick



ITEM NO.	FINISH
THS15ECBS	Brushed Stainless
THS15ECPS	Polished Stainless

Minimum Order: 1 Each.

### FHC Square Connector Sleeve

- Use with 1-1/2" Square Stainless Tubing FHC Item No. THS15
- 5" long Internal Connector
- Use Item No. LT32629 Metal Contact Cement and Item No. LT7649 Primer for Attachment (See Page 98)
- 304 Grade Stainless Steel



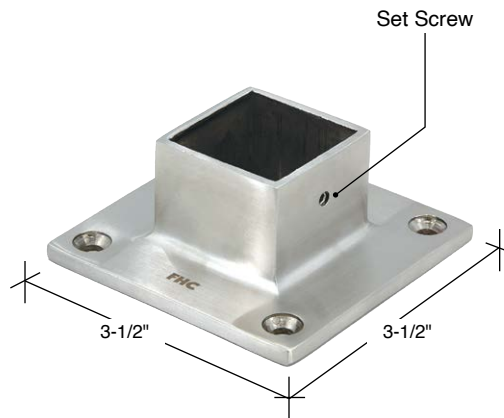
Item No. **THS15CSS**  
Minimum Order: 1 Each

### FHC Square Full Flange

- For Use with THS15 1-1/2" Square Tubing
- Used on Wall or Floor Mount Installations
- Includes (4) #12 Flat Head Mounting Screws
- 304 Grade Stainless Steel

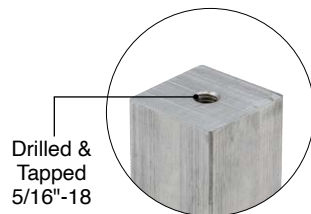
ITEM NO.	FINISH
THS15YBS	Brushed Stainless
THS15YPS	Polished Stainless

Minimum Order: 1 Each.

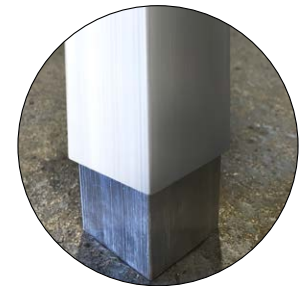
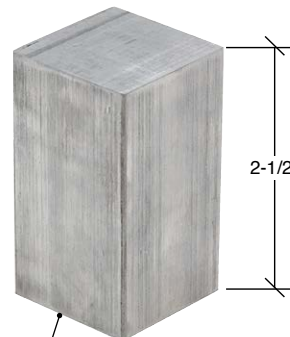


### FHC Square Concealed Mounting Lug

- Use with 1-1/2" Square Stainless Tubing FHC Item No. THS15 for Concealed Mounting
- Drilled & Tapped 5/16"-18
- Custom Angles and Fittings Available. Contact FHC Technical Sales for More Information
- Use Item No. LT32629 Metal Contact Cement and Item No. LT7649 Primer for Attachment (See Page 98)
- 304 Grade Stainless Steel



Drilled and Tapped  
at Bottom Side  
of Slug



Item No. **THS15CM**  
Minimum Order: 1 Each



THE GLAZING SUPPLY COMPANY  
EXPERIENCE AND INNOVATION



visit [fhc-usa.com](http://fhc-usa.com) to search for

Handrail



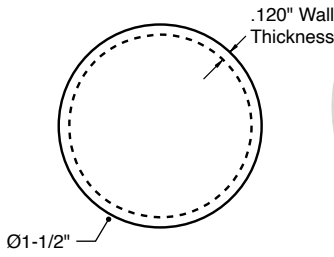
Enter the Item Number or scan QR code with your smartphone for complete product details



# FHC Handrail Components

## FHC 1-1/2" O.D. Aluminum Handrail Tubing Aluminum Rail

- 1-1/2" Diameter Aluminum Tube
- .120 Wall Thickness
- Internal Splices, Endcaps and Connector Sleeves Sold Separately

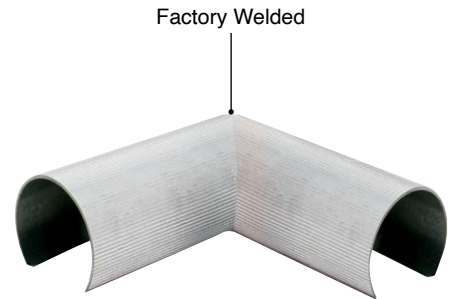
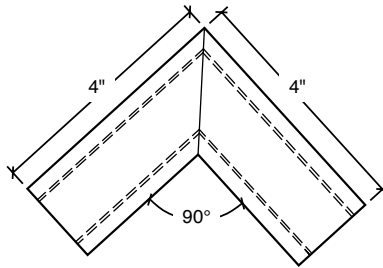


ITEM NO.	FINISHES	LENGTH
AHR15SA	Satin Anodized	236"
AHR15MB	Matte Black	236"
AHR15M	Mill Aluminum	236"

Minimum Order: 1 Each.

## FHC Aluminum Handrail Tubing Internal 90 Degree Connector Sleeve

- Internal Connector Sleeve for 1-1/2" Handrail
- Mill Aluminum
- Use Item No. LT32629 Metal Contact Cement and Item No. LT7649 Primer for Attachment (See Page 98)

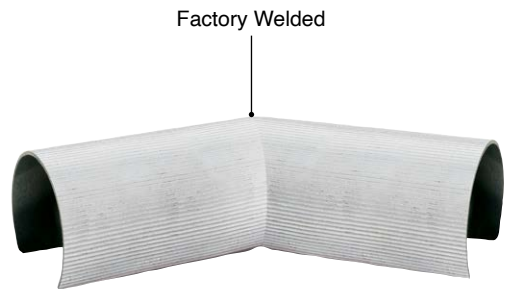
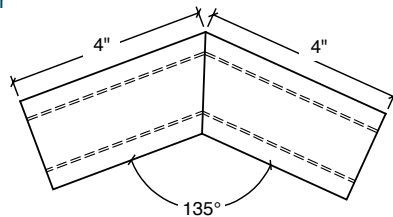


ITEM NO.	FINISHES
AHR1S90M	Mill Aluminum

Minimum Order: 1 Each.

## FHC Aluminum Handrail Tubing Internal 135 Degree Connector Sleeve

- Internal Connector Sleeve for 1.5" Handrail
- Mill Aluminum
- Use Item No. LT32629 Metal Contact Cement and Item No. LT7649 Primer for Attachment (See Page 98)



ITEM NO.	FINISHES
AHR1S135M	Mill Aluminum

Minimum Order: 1 Each.

visit [fhc-usa.com](http://fhc-usa.com) to search for

Handrail



Enter the Item Number or scan QR code with your smartphone for complete product details



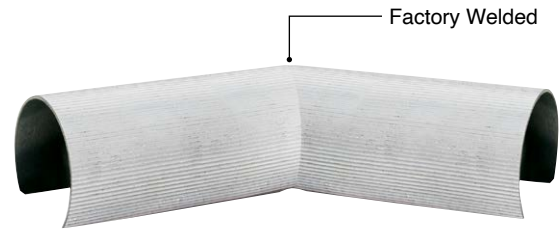
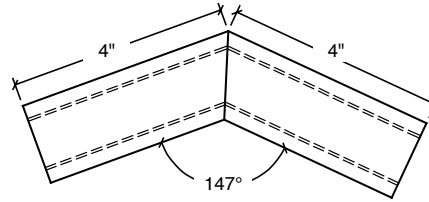
4361 Firestone Blvd. South Gate, CA 90280  
Toll Free: (888) 295-4531 | Direct: (323) 968-2031  
Fax: (323) 336-8307 | [fhc-usa.com](http://fhc-usa.com)



## FHC Handrail Components

### FHC Aluminum Handrail Tubing Internal 147 Degree Connector Sleeve

- Internal Connector Sleeve for 1.5" Aluminum Handrail
- Mill Aluminum
- Use Item No. LT32629 Metal Contact Cement and Item No. LT7649 Primer for Attachment (See Below)



ITEM NO.	FINISHES
AHR1S147M	Mill Aluminum

Minimum Order: 1 Each.

### FHC Aluminum Handrail Tubing End Caps

- End Caps for 1.5" Aluminum Tubing AHR
- Use Item No. LT32629 Metal Contact Cement and Item No. LT7649 Primer for Attachment (See Below)



ITEM NO.	FINISHES
AHR15ECSA	Satin Anodized
AHR15ECMB	Matte Black
AHR15ECM	Mill Aluminum

Minimum Order: 1 Each.

### FHC Aluminum Handrail Connector Sleeves

- 5" Long
- Connector Sleeve for AHR15 1.5" Aluminum Handrail
- Use Item No. LT32629 Metal Contact Cement and Item No. LT7649 Primer for Attachment (See Below)



ITEM NO.	FINISHES
AHR15CSM	Mill Aluminum

Minimum Order: 1 Each.

### Loctite® 60 Second Primer

- 60 Second Activation Time
- Compatible with Metal Materials
- For use with Metal Contact Cement Item No. LT32629
- 1.75 fl oz Bottle



ITEM NO. **LT7649**  
Minimum Order: 1 Each

Loctite is a registered trademark of Henkel Corporation.

### Loctite® Metal Contact Cement

- Provides a 60 Second Fixture Time and 24 Hour Final Cure
- Delivers Great Performance with a Shear Strength of 2200 PSI and Tensile Strength of 4900 PSI
- Use Primer Item No. LT7649
- Comes in a 50 ml Bottle



ITEM NO. **LT32629**  
Minimum Order: 1 Each



THE GLAZING SUPPLY COMPANY  
EXPERIENCE AND INNOVATION



visit [fhc-usa.com](http://fhc-usa.com) to search for

Handrail



Enter the Item Number or scan QR code with your smartphone for complete product details



PROFESSIONAL GRADE

# Section 6

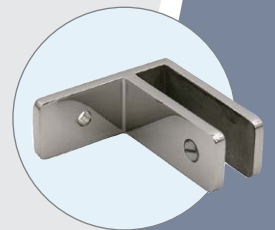
FHC FRAMELESS GLASS FENCE HARDWARE

Pages 99 to 110

- FHC Frameless Fence Clamps
- FHC Windscreen Base Shoe
- FHC Stabilizing Glass Clamps
- FHC FP19 Series Windscreen/Partition Posts
- FHC FP20 Series Windscreen/Partition Posts
- FHC FP12 Series Windscreen/Partition Posts
- FHC Glass Clamps

Chat With FHC On Our Website to Get Real Time Expert Support from Knowledgeable Reps

Chat With Us!



# FHC Frameless Glass Fence Hardware

- Products for Glass Fencing, Windbreaks, Partitions, and Pool Enclosures
- For Commercial and Residential Use
- Frameless Design That Offers Virtually Unobstructed Views
- Approved for Interior and Exterior Applications
- FHC Offers a Full Range of Hardware and Solutions For Many Jobsite Conditions
- Custom Fabrication Service Also Available For Job Specific Applications

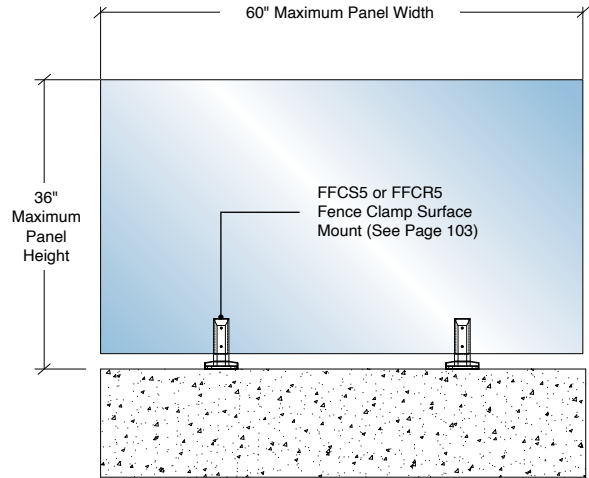
CSI DIVISION 08

SECTION  
**08 7160**

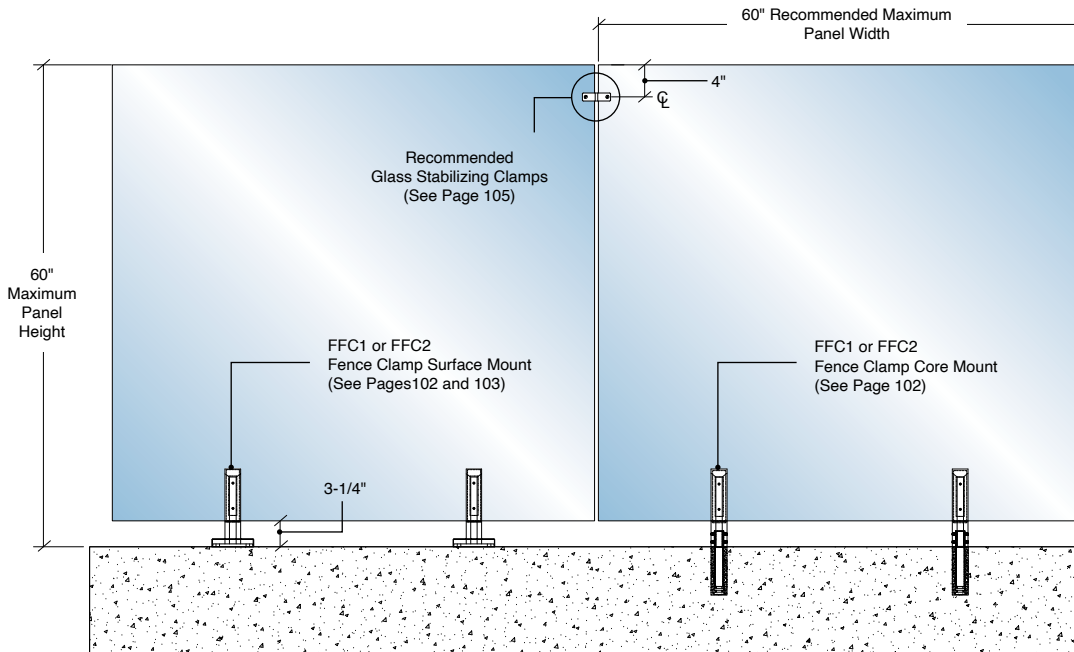
FHC designs and manufactures a full line of Glass Fencing products. Our Glass Fencing product line is great for windbreaks, partitions, pool fencing, and sound barriers. They are designed to meet and exceed the strictest code requirements across the USA. All of our Glass Fencing products are very easy to install and work with other FHC Railing Products and Systems. For more information contact FHC today to speak to a Technical Service Representative about your next project.

**PROFESSIONAL GRADE**

## Typical Elevation FHC Low Profile Frameless Fence Clamps



## Typical Elevation of FHC Frameless Fence Clamps



**THE GLAZING SUPPLY COMPANY**  
EXPERIENCE AND INNOVATION



visit [fhc-usa.com](http://fhc-usa.com) to search for

**Fence Hardware**

Enter the Item Number or scan QR code with your smartphone for complete product details

# FHC Frameless Glass Fence Hardware

NOW AVAILABLE IN A TRUE MATTE BLACK FINISH

Chat With FHC On Our Website to Get Real Time Expert Support from Knowledgeable Reps

Chat With Us!



visit [fhc-usa.com](http://fhc-usa.com) to search for

Fence Hardware



Enter the Item Number or scan QR code with your smartphone for complete product details



4361 Firestone Blvd. South Gate, CA 90280  
Toll Free: (888) 295-4531 | Direct: (323) 968-2031  
Fax: (323) 336-8307 | [fhc-usa.com](http://fhc-usa.com)

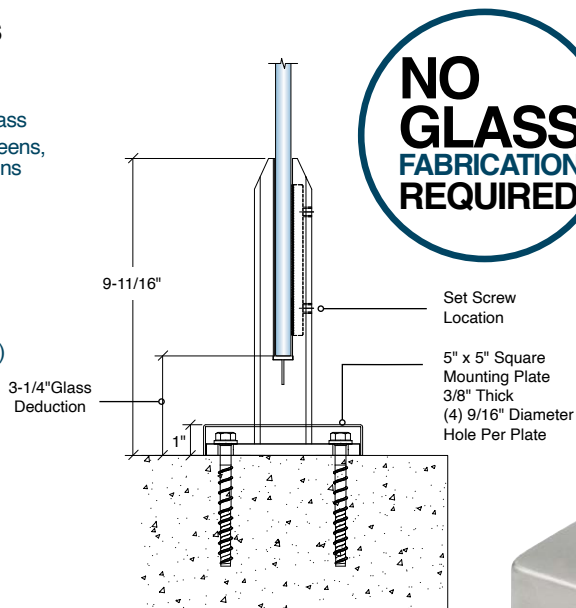


# FHC Frameless Glass Fence Hardware

## FHC Frameless Fence Clamps Surface Mount

- Models for 1/2" to 9/16", and 11/16" to 13/16" Glass
- Designed for Frameless Glass Fences, Windscreens, Pool Fences and Heavy Glass Railing Applications
- New Innovative Press-Fit Design Requires No Glass Fabrication
- Includes Gaskets
- 316 Alloy Stainless Steel
- Surface Mount to Wood, Concrete or Steel
- Includes Flange Cover Plate
- Attachment Bolts Sold Separately (See Page 61)
- Available in Three Architectural Finishes
- Custom Powder Coat Finishes Available. Contact FHC Technical Sales for More Information

**NEW**



**FOR 1/2" & 9/16" GLASS**

ITEM NO.	FINISH
<b>FFC1BS</b>	Brushed Stainless
<b>FFC1PS</b>	Polished Stainless
<b>FFC1MB</b>	Matte Black

Minimum Order: 1 Each.

**FOR 11/16" & 13/16" GLASS**

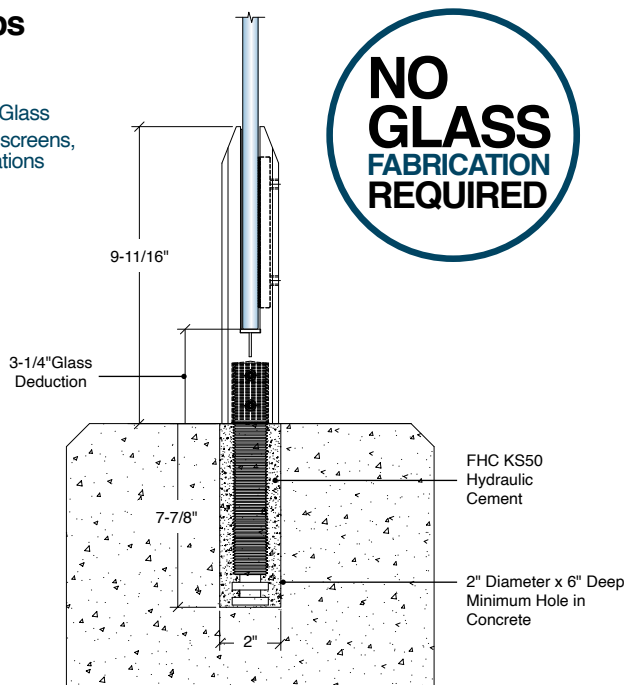
ITEM NO.	FINISH
<b>FFC2BS</b>	Brushed Stainless
<b>FFC2PS</b>	Polished Stainless
<b>FFC2MB</b>	Matte Black

Minimum Order: 1 Each.

## FHC Frameless Fence Clamps Core Mount

- Models for 1/2" to 9/16", and 11/16" to 13/16" Glass
- Designed For Frameless Glass Fences, Windscreens, Pool Fences and Heavy Glass Railing Applications
- New Innovative Press-Fit Design Requires No Glass Fabrication
- Includes Gaskets
- 316 Alloy Stainless Steel
- Includes Rod For Core Mount Installation
- Available in Three Architectural Finishes
- Custom Powder Coat Finishes Available. Contact FHC Technical Sales for More Information

**NEW**



**FOR 1/2" & 9/16" GLASS**

ITEM NO.	FINISH
<b>FFC3BS</b>	Brushed Stainless
<b>FFC3PS</b>	Polished Stainless
<b>FFC3MB</b>	Matte Black

Minimum Order: 1 Each.

**FOR 11/16" & 13/16" GLASS**

ITEM NO.	FINISH
<b>FFC4BS</b>	Brushed Stainless
<b>FFC4PS</b>	Polished Stainless
<b>FFC4MB</b>	Matte Black

Minimum Order: 1 Each.



**THE GLAZING SUPPLY COMPANY**  
EXPERIENCE AND INNOVATION



visit [fhc-usa.com](http://fhc-usa.com) to search for

**Fence Clamps**

Enter the Item Number or scan QR code with your smartphone for complete product details

# FHC Frameless Glass Fence Hardware

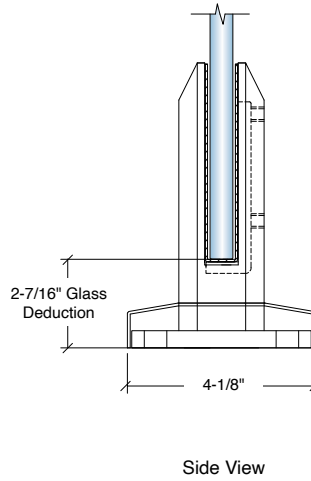
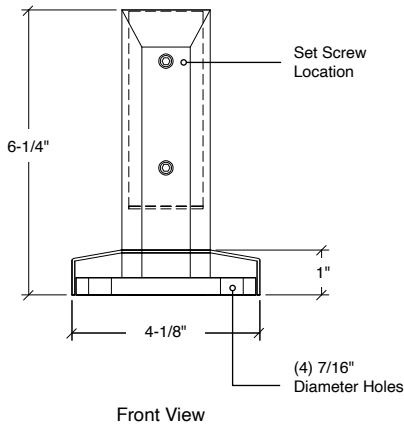
## FHC Low Profile Frameless Fence Clamps Square Surface Mount

- For 3/8"-9/16" Glass
- 6-1/4" Tall Spigot Clamp
- Includes Cover Plate
- Attachment Bolts Sold Separately (See Page 61)
- Available in Three Architectural Finishes

**NEW**

**NO GLASS FABRICATION REQUIRED**

Low Profile Design



ITEM NO.	FINISH
FFCS7BS	Brushed Stainless
FFCS7PS	Polished Stainless
FFCS7MB	Matte Black

Minimum Order: 1 Each.

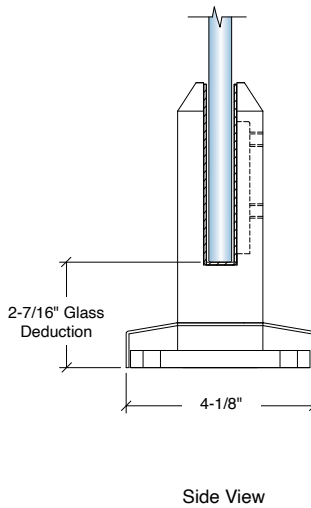
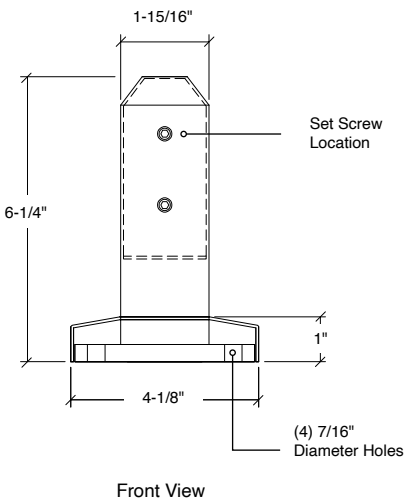
## FHC Low Profile Frameless Fence Clamps Round Surface Mount

- For 3/8"-9/16" Glass
- 6-1/4" Tall Spigot Clamp
- Includes Cover Plate
- Attachment Bolts Sold Separately (See Page 61)
- Available in Three Architectural Finishes

**NEW**

**NO GLASS FABRICATION REQUIRED**

Low Profile Design



ITEM NO.	FINISH
FFCR7BS	Brushed Stainless
FFCR7PS	Polished Stainless
FFCR7MB	Matte Black

Minimum Order: 1 Each.

visit [fhc-usa.com](http://fhc-usa.com) to search for

Fence Clamps

Enter the Item Number or scan QR code with your smartphone for complete product details



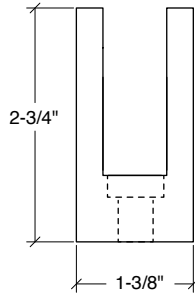
4361 Firestone Blvd. South Gate, CA 90280  
 Toll Free: (888) 295-4531 | Direct: (323) 968-2031  
 Fax: (323) 336-8307 | [fhc-usa.com](http://fhc-usa.com)

**FHC**<sup>®</sup>  
 FRAMELESS HARDWARE COMPANY

## FHC Frameless Glass Fence Hardware

### FHC 120" Small Profile Windscreen Base Shoe

- For 3/8" or 1/2" Tempered Monolithic Glass
- Use for Windscreen or Partition Applications
- 3/4" Wide Pocket Width
- 2-3/4" Tall x 1-3/8" Wide Profile
- 120" Long
- Attachment Bolts Sold Separately (See Page 61)
- Pre-Drilled and Counterbored 12" On Center
- 6063 Alloy T52 Temper
- Not Recommended for Guard Rail Applications



ITEM NO. **KS50**  
Expansion Cement  
(See Page 29)

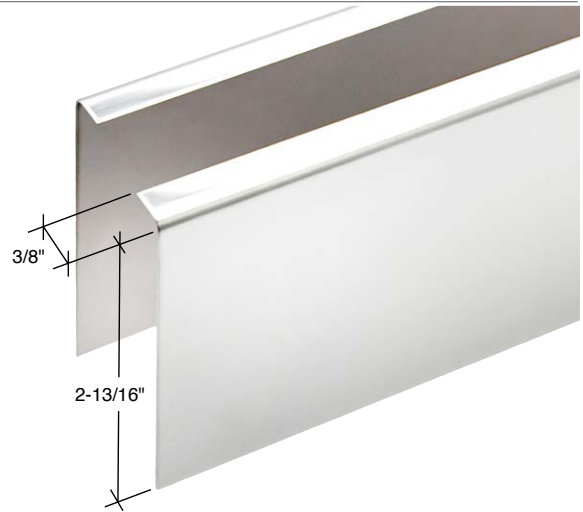
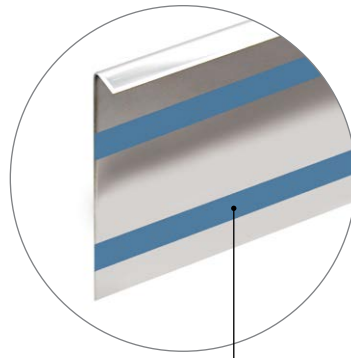


ITEM NO. **HSA14X3**  
Screw Anchor

ITEM NO. **WBS10D**  
Minimum Order: 1 Each  
Must Ship Common Carrier

### FHC Cladding For Windscreen/Base Shoe

- Available in Five Architectural Finishes
- Use S790 Silicone or CT040 Cladding Tape (Sold Separately See Pg. 28)
- Cladding Sold In 120" Stock Lengths
- Contact Us for Custom Requests



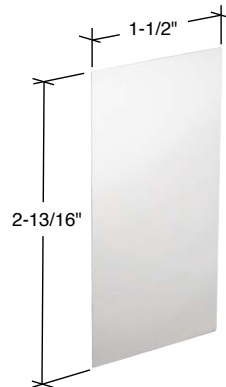
Adhere With CT040 High-Bond Tape or S790BL Silicone Sealant (See Page 28)

ITEM NO.	FINISH
SBC1BS	Brushed Stainless
SBC1PS	Polished Stainless
SBC1MB	Matte Black
SBC1SA	Satin Anodized
SBC1DU	Dark Bronze Anodized

Minimum Order: 1 Each. Must Ship Common Carrier

### FHC End Cap for Windscreen Base Shoe

- Available in Five Architectural Finishes
- Use S790 Silicone or CT040 Cladding Tape (Sold Separately See Pg.28)



ITEM NO.	FINISH
SBECBS	Brushed Stainless
SBECPS	Polished Stainless
SBECMB	Matte Black
SBECSA	Satin Anodized
SBECDU	Dark Bronze Anodized

Minimum Order: 1 Each.



**THE GLAZING SUPPLY COMPANY**  
EXPERIENCE AND INNOVATION



visit [fhc-usa.com](http://fhc-usa.com) to search for

**Windscreen**

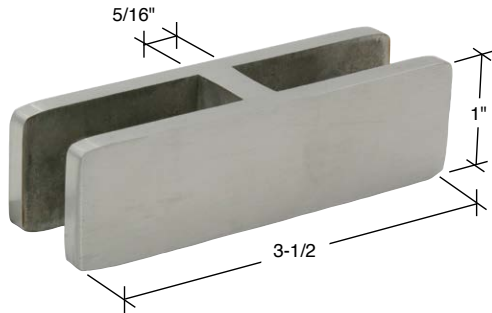
Enter the Item Number or scan QR code with your smartphone for complete product details



# FHC Frameless Glass Fence Hardware

## FHC Stabilizing Glass Clamp 180 Degree Glass-To-Glass

- Models Available for 1/2" to 9/16" and 11/16" to 13/16"
- Helps Keep Glass Panels Aligned on Installations Where a Top Rail is Not Required
- Used On Glass Windscreens, Heavy Glass Railings and Frameless Fence Installations
- No Glass Fabrication Required
- Includes Gaskets
- 316 Grade Stainless Steel



FOR 1/2" & 9/16" GLASS

ITEM NO.	FINISH
SC180BS	Brushed Stainless
SC180PS	Polished Stainless
SC180MB	Matte Black

Minimum Order: 1 Each.

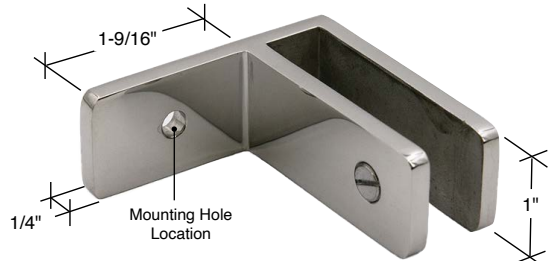
FOR 11/16" & 13/16" GLASS

ITEM NO.	FINISH
SC1803BS	Brushed Stainless
SC1803PS	Polished Stainless
SC1803MB	Matte Black

Minimum Order: 1 Each.

## FHC Stabilizing Glass Clamp Wall Mount

- Models Available for 1/2" to 9/16" and 11/16" to 13/16"
- Helps Keep Glass Panels Aligned on Installations Where a Top Rail is Not Required
- Used On Glass Windscreens, Heavy Glass Railings and Frameless Fence Installations
- No Glass Fabrication Required
- Wall Mount Bracket Includes (1) #12 x 1-1/2" Long Screw
- Includes Gaskets
- 316 Grade Stainless Steel



FOR 1/2" & 9/16" GLASS

ITEM NO.	FINISH
SC1WBS	Brushed Stainless
SC1WPS	Polished Stainless
SC1WMB	Matte Black

Minimum Order: 1 Each.

FOR 11/16" & 13/16" GLASS

ITEM NO.	FINISH
SC3WBS	Brushed Stainless
SC3WPS	Polished Stainless
SC3WMB	Matte Black

Minimum Order: 1 Each.

## FHC Stabilizing Glass Clamp 90 Degree Glass-To-Glass

- Models Available for 1/2" to 9/16" and 11/16" to 13/16"
- Helps Keep Glass Panels Aligned on Installations Where a Top Rail is Not Required
- Used On Glass Windscreens, Heavy Glass Railings and Frameless Fence Installations
- No Glass Fabrication Required
- 90 Degree Glass to Glass Clamp
- Includes Gaskets
- 316 Grade Stainless Steel



FOR 1/2" & 9/16" GLASS

ITEM NO.	FINISH
SC90BS	Brushed Stainless
SC90PS	Polished Stainless
SC90MB	Matte Black

Minimum Order: 1 Each.

FOR 11/16" & 13/16" GLASS

ITEM NO.	FINISH
SC903BS	Brushed Stainless
SC903PS	Polished Stainless
SC903MB	Matte Black

Minimum Order: 1 Each.

## FHC Stabilizing Glass Clamp Adjustable Glass-To-Glass

- Models Available for 1/2" to 9/16" and 11/16" to 13/16"
- Helps Keep Glass Panels Aligned on Installations Where a Top Rail is Not Required
- Used On Glass Windscreens, Heavy Glass Railings and Frameless Fence Installations
- No Glass Fabrication Required
- Includes Gaskets
- 316 Grade Stainless Steel



FOR 1/2" & 9/16" GLASS

ITEM NO.	FINISH
SCA2BS	Brushed Stainless
SCA2PS	Polished Stainless
SCA2MB	Matte Black

Minimum Order: 1 Each.

FOR 11/16" & 13/16" GLASS

ITEM NO.	FINISH
SCA23BS	Brushed Stainless
SCA23PS	Polished Stainless
SCA23MB	Matte Black

Minimum Order: 1 Each.

visit [fhc-usa.com](http://fhc-usa.com) to search for

Fence Clamps



Enter the Item Number or scan QR code with your smartphone for complete product details



4361 Firestone Blvd. South Gate, CA 90280  
Toll Free: (888) 295-4531 | Direct: (323) 968-2031  
Fax: (323) 336-8307 | [fhc-usa.com](http://fhc-usa.com)



## FHC FP Series Windscreen/Partition Post Kits

### FHC FP Series Windscreen/Partition Post Kits

- Great for Applications Where Cap Rail is Not Required
- Standard 42" Tall Post Kits, Include Square Series Clamps
- Designed for Use With 1/2" to 9/16" Monolithic and Laminated Tempered Glass
- Available In Brushed and Polished Stainless Steel Finishes
- Can Be Custom Made To Your Specifications

**NEW**

#### Available Finishes



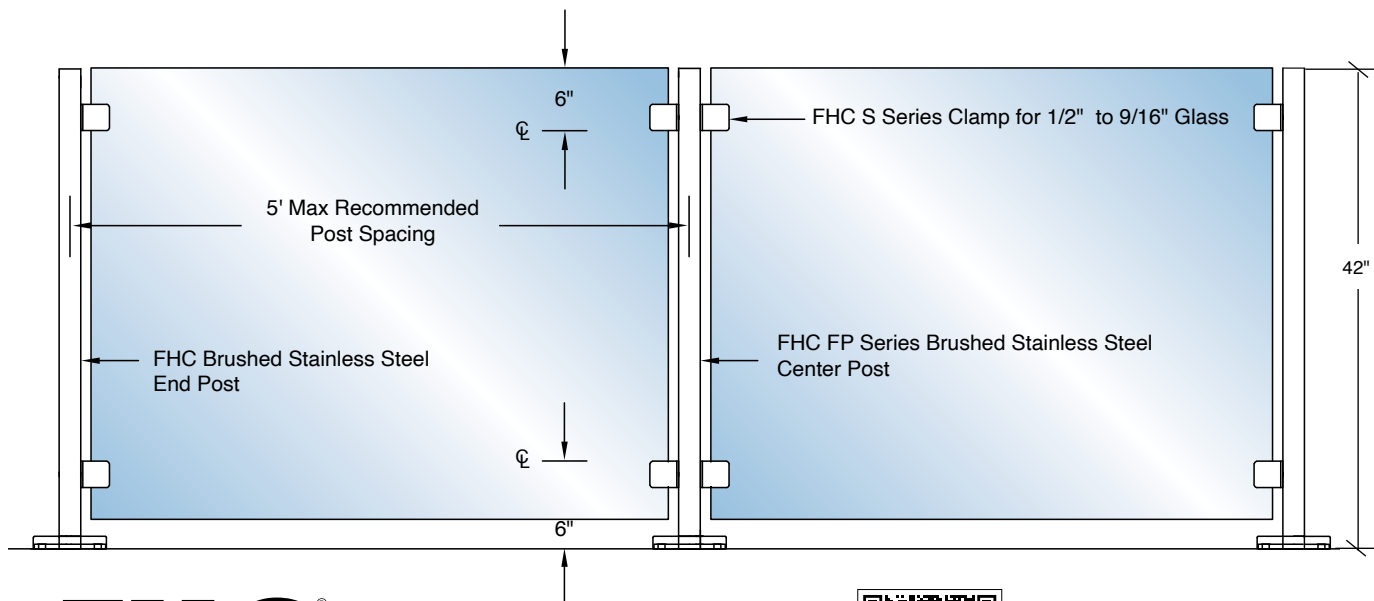
**FP12 Series**  
1" X 2" Narrow Post

**FP20 Series**  
2" x 2" Square Post

**FP19 Series**  
1.9" Round Post



### Typical Elevation for FP Series Glass Windscreen/Partition Fence Post



**THE GLAZING SUPPLY COMPANY**  
EXPERIENCE AND INNOVATION



visit [fhc-usa.com](http://fhc-usa.com) to search for

**Fence Hardware**

Enter the Item Number or scan QR code with your smartphone for complete product details

# FHC FP Series Windscreen/Partition Posts Kits

## FHC FP19 Series Windscreen/Partition Post Specifications

- 1.9" Outside Diameter
- 304 Alloy Stainless Steel
- Available in Brushed and Polished Stainless Steel Finishes
- Powder Coat Options Also Available
- Includes S Series Glass Clamps
- Includes Welded Flange and Cover Plate
- Flat Welded Top Cap
- 42" Standard Height, Can Be Made at Custom Height. Contact FHC Technical Sales for More Information.
- Not Recommended for Guardrail Applications



1.9" Outside Diameter Round Tube



S712 S Series Glass Clamps



Flat Welded Top Cap



Welded Flange and Cover Plate



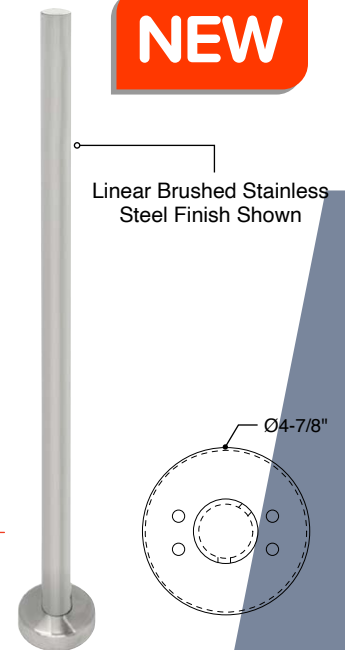
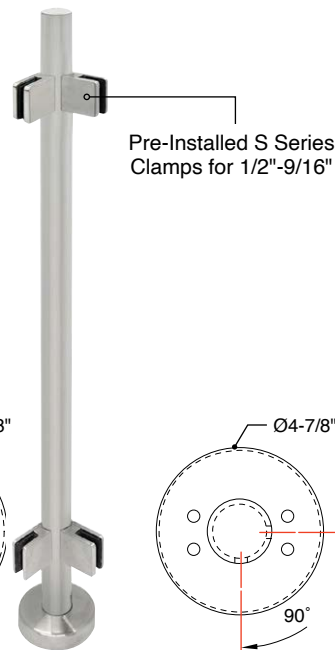
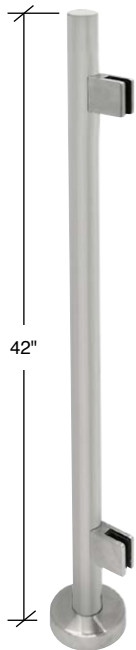
## FHC FP19 Series Windscreen/Partition Post Kits

End Post Kit

180 Degree Center Post Kit

90 Degree Angle Post Kit

Blank Post



END POST KIT

ITEM NO.	FINISH
FP19EBS	Brushed Stainless
FP19EPS	Polished Stainless

Minimum Order: 1 Each.

180 DEGREE CENTER POST KIT

ITEM NO.	FINISH
FP19CBS	Brushed Stainless
FP19CPS	Polished Stainless

Minimum Order: 1 Each.

90 DEGREE ANGLE POST KIT

ITEM NO.	FINISH
FP19LBS	Brushed Stainless
FP19LPS	Polished Stainless

Minimum Order: 1 Each.

BLANK POST

ITEM NO.	FINISH
FP19BBS	Brushed Stainless
FP19BPS	Polished Stainless

Minimum Order: 1 Each.

visit [fhc-usa.com](http://fhc-usa.com) to search for

Fence Hardware

Enter the Item Number or scan QR code with your smartphone for complete product details



4361 Firestone Blvd. South Gate, CA 90280  
 Toll Free: (888) 295-4531 | Direct: (323) 968-2031  
 Fax: (323) 336-8307 | [fhc-usa.com](http://fhc-usa.com)



## FHC FP Series Windscreen/Partition Post Kits

### FHC FP20 Series Windscreen/Partition Post Specifications

- 2" Square Profile
- 304 Alloy Stainless Steel
- Available in Brushed and Polished Stainless Steel Finishes
- Powder Coat Options Also Available
- Includes S Series Glass Clamps
- Includes Welded Flange and Cover Plate
- Flat Welded Top Cap
- 42" Standard Height, Can Be Made at Custom Height. Contact FHC Technical Sales for More Information.
- Not Recommended for Guardrail Applications



2" Square Profile



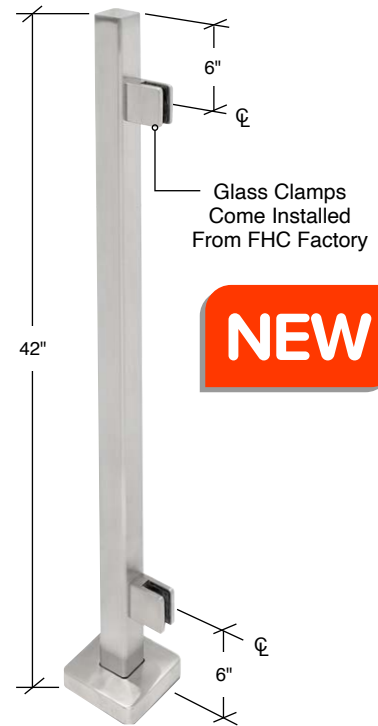
S912 S Series Glass Clamps



Flat Welded Top Cap



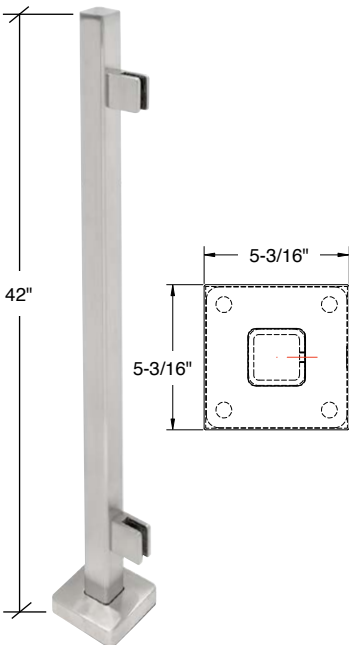
Welded Flange and Cover Plate



DESIGNED & MANUFACTURED BY  
FRAMELESS HARDWARE COMPANY

### FHC FP20 Series Windscreen/Partition Post Kits

#### End Post Kit

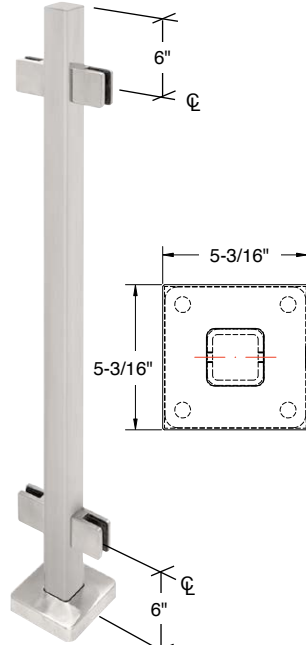


#### END POST KIT

ITEM NO.	FINISH
FP20EBS	Brushed Stainless
FP20EPS	Polished Stainless

Minimum Order: 1 Each.

#### 180 Degree Center Post Kit

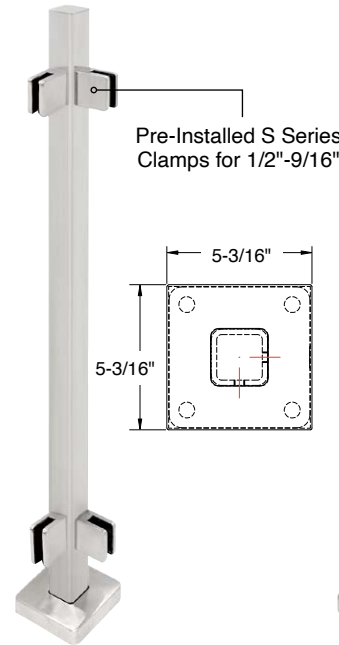


#### 180 DEGREE CENTER POST KIT

ITEM NO.	FINISH
FP20CBS	Brushed Stainless
FP20CPS	Polished Stainless

Minimum Order: 1 Each.

#### 90 Degree Angle Post Kit

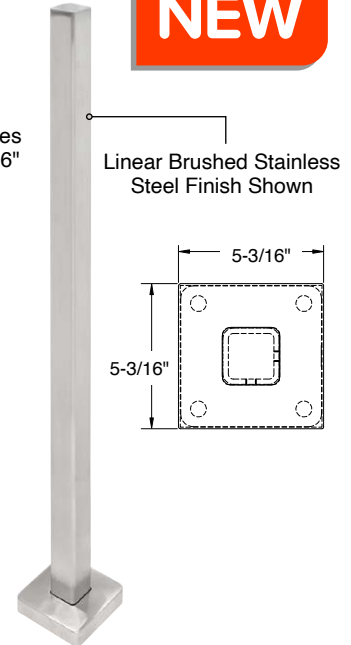


#### 90 DEGREE ANGLE POST KIT

ITEM NO.	FINISH
FP20LBS	Brushed Stainless
FP20LPS	Polished Stainless

Minimum Order: 1 Each.

#### Blank Post



#### BLANK POST

ITEM NO.	FINISH
FP20BBS	Brushed Stainless
FP20BPS	Polished Stainless

Minimum Order: 1 Each.



THE GLAZING SUPPLY COMPANY  
EXPERIENCE AND INNOVATION



visit [fhc-usa.com](http://fhc-usa.com) to search for

Fence Hardware

Enter the Item Number or scan QR code with your smartphone for complete product details

## FHC FP Series Windscreen/Partition Post Kits

### FHC FP12 Series Windscreen Post Specifications

- 1" x 2" Rectangular Profile
- 304 Alloy Stainless Steel
- Available in Brushed and Polished Stainless Steel Finishes
- Powder Coat Options Also Available
- Includes S Series Glass Clamps
- Includes Welded Flange and Cover Plate
- Flat Welded Top Cap
- 42" Standard Height, Can Be Made at Custom Height. Contact FHC Technical Sales for More Information.
- Not Recommended for Guardrail Applications



1" x 2" Rectangular Profile



S912 S Series Glass Clamps



Flat Welded Top Cap

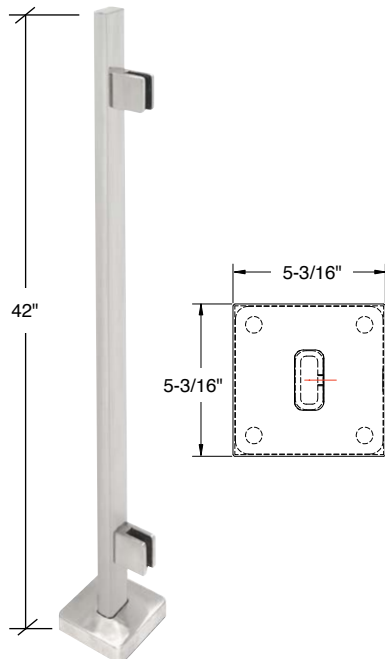


Welded Flange and Cover Plate



### FHC FP12 Series Windscreens/Partition Post Kits

End Post Kit



END POST KIT

ITEM NO.	FINISH
FP12EBS	Brushed Stainless
FP12EPS	Polished Stainless

Minimum Order: 1 Each.

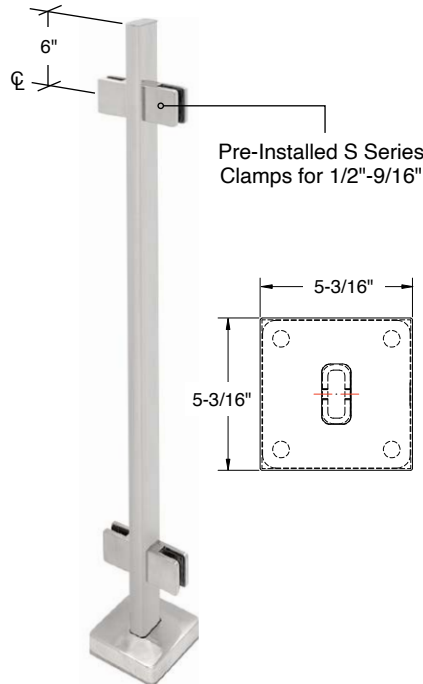
visit [fhc-usa.com](http://fhc-usa.com) to search for

Fence Hardware

Enter the Item Number or scan QR code with your smartphone for complete product details



180 Degree Center Post Kit

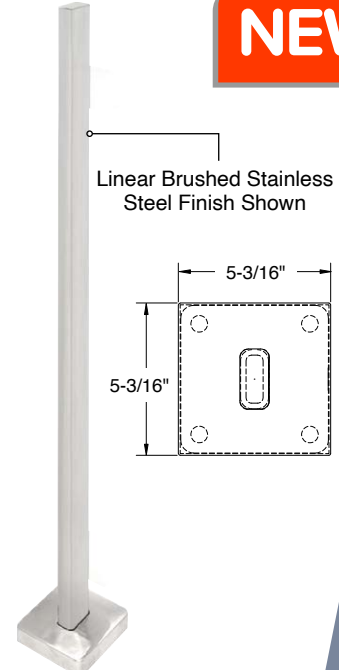


180 DEGREE CENTER POST KIT

ITEM NO.	FINISH
FP12CBS	Brushed Stainless
FP12CPS	Polished Stainless

Minimum Order: 1 Each.

Blank Post



BLANK POST

ITEM NO.	FINISH
FP12BBS	Brushed Stainless
FP12BPS	Polished Stainless

Minimum Order: 1 Each.

4361 Firestone Blvd. South Gate, CA 90280  
 Toll Free: (888) 295-4531 | Direct: (323) 968-2031  
 Fax: (323) 336-8307 | [fhc-usa.com](http://fhc-usa.com)



## FHC Windscreen/Partition Post Components

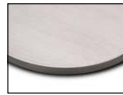
### FHC S-Series Square Glass Clamps

- Available in Both Flat and Radius Bases
- 316 Grade Stainless Steel
- Models for 1/4" to 9/16" Thick Glass
- Includes Gaskets and Steel Pin
- Glass Cut-Out Required When Using Steel Pin Option
- Three Popular Finishes Available

#### Available Finishes



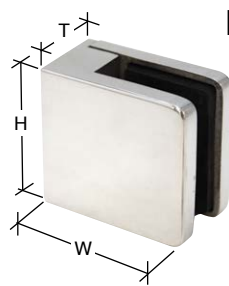
**PS** POLISHED STAINLESS



**BS** BRUSHED STAINLESS



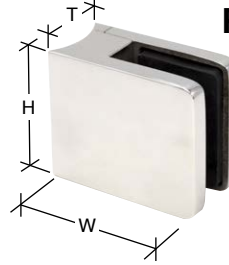
**MB** MATTE BLACK



**Flat Base**



Rear View



**Radius Base**



Rear View

#### FLAT BASE

ITEM NO.	GLASS THICKNESS	SIZE
<b>S906XX</b>	1/4" & 5/16"	2-1/8" W x 2-1/8" H x 15/16" T
<b>S910XX</b>	3/8" & 7/16"	2-1/8" W x 2-1/8" H x 1-1/8" T
<b>S912XX</b>	1/2" & 9/16"	2-5/16" W x 2-1/8" H x 1-3/16" T

Minimum Order: 1 Each.

**XX** Denotes Finish.

#### RADIUS BASE FOR 1.9" DIAMETER TUBING

ITEM NO.	GLASS THICKNESS	SIZE
<b>S706XX</b>	1/4" & 5/16"	2-5/16" W x 2-1/8" H x 15/16" T
<b>S710XX</b>	3/8" & 7/16"	2-5/16" W x 2-1/8" H x 1-1/8" T
<b>S712XX</b>	1/2" & 9/16"	2-1/2" W x 2-1/8" H x 1-3/16" T

Minimum Order: 1 Each.

### FHC RD-Series Round Glass Clamps

- Available in Both Flat and Radius Bases
- 316 Grade Stainless Steel
- Models for 1/4" to 9/16" Thick Glass
- Includes Gaskets and Steel Pin
- Glass Cut-Out Required When Using Steel Pin Option
- Radius Base for Use With 2" Diameter Tubing
- Three Popular Finishes Available

#### Available Finishes



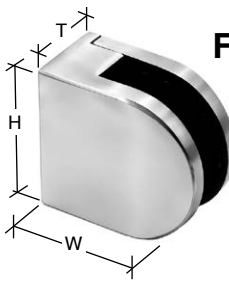
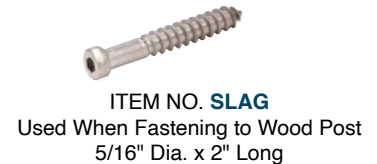
**PS** POLISHED STAINLESS



**BS** BRUSHED STAINLESS



**MB** MATTE BLACK



**Flat Base**



Rear View



**Radius Base**



Rear View

#### FLAT BASE

ITEM NO.	GLASS THICKNESS	SIZE
<b>R906XX</b>	1/4" & 5/16"	2-3/16" W x 2-1/8" H x 15/16" T
<b>R910XX</b>	3/8" & 7/16"	2-3/16" W x 2-1/8" H x 1-1/8" T
<b>R912XX</b>	1/2" & 9/16"	2-3/8" W x 2-1/8" H x 1-1/4" T

Minimum Order: 1 Each.

**XX** Denotes Finish.

#### RADIUS BASE FOR 1.9" DIAMETER TUBING

ITEM NO.	GLASS THICKNESS	SIZE
<b>R706XX</b>	1/4" & 5/16"	2-5/16" W x 2-1/8" H x 15/16" T
<b>R710XX</b>	3/8" & 7/16"	2-5/16" W x 2-1/8" H x 1-1/8" T
<b>R712XX</b>	1/2" & 9/16"	2-1/2" W x 2-1/8" H x 1-1/4" T

Minimum Order: 1 Each.



**THE GLAZING SUPPLY COMPANY**  
EXPERIENCE AND INNOVATION



visit [fhc-usa.com](http://fhc-usa.com) to search for

**Fence Hardware**

Enter the Item Number or scan QR code with your smartphone for complete product details



PROFESSIONAL GRADE

# Section 7

FHC GLASS GATE SYSTEMS AND HARDWARE  
Pages 111 to 134

Chat With FHC On Our Website  
to Get Real Time Expert Support  
from Knowledgeable Reps

Chat With Us!



**HERC+DOOR**<sup>®</sup>

U.S. Patent Nos. 11,060,341 and 11,187,323

- FHC Gate Systems
- FHC HERC-DOOR<sup>®</sup> Low-Profile Tapered and Square Gate/Door Rails
- FHC Patch Fittings
- FHC Patch Locks and Keepers
- FHC Floor Closers and Accessories
- FHC Floor Pivots

- FHC Stainless Steel Glass Gate Posts
- FHC Self-Closing Hinges and Latches
- FHC Center Locks and Keepers
- FHC Latch Locks and Keepers
- FHC Panic Devices and Accessories for Glass Gates

**THE GLAZING SUPPLY COMPANY**  
EXPERIENCE AND INNOVATION

4361 Firestone Blvd. South Gate, CA 90280  
Toll Free: (888) 295-4531 | Direct: (323) 968-2031  
Fax: (323) 336-8307 | [fhc-usa.com](http://fhc-usa.com)

**FHC**<sup>®</sup>  
FRAMELESS HARDWARE COMPANY

# FHC Frameless Glass Gate Systems and Hardware

- Gate Systems for Glass Fencing and Pool Surround Applications
- Designed, Tested, and Engineered for Commercial and Residential Use
- Approved for Interior and Exterior Use
- A Full Range of Hardware and Gate Solutions For Almost Any Job Condition

FHC designs and manufactures a full line of commercial and residential Gate Systems that complement our Glass Railing and Glass Fencing product lines. Our Gate Hardware is designed to meet and exceed the strictest code requirements across the USA. You can purchase FHC stock components and fabricate your own gate or utilize FHC's manufacturing facility to custom fabricate your gate and hardware exactly to your specifications. FHC specializes in cutting, bending, welding, finishing, prepping and installing hardware. For more information contact FHC today to speak to a Technical Service Representative about your next project.

Chat With FHC On Our Website  
to Get Real Time Expert Support  
from Knowledgeable Reps

Chat With Us!



CSI DIVISION 08

SECTION

08 7160



**FHC**<sup>®</sup>  
FRAMELESS HARDWARE COMPANY

THE GLAZING SUPPLY COMPANY  
EXPERIENCE AND INNOVATION



visit [fhc-usa.com](http://fhc-usa.com) to search for

Gates

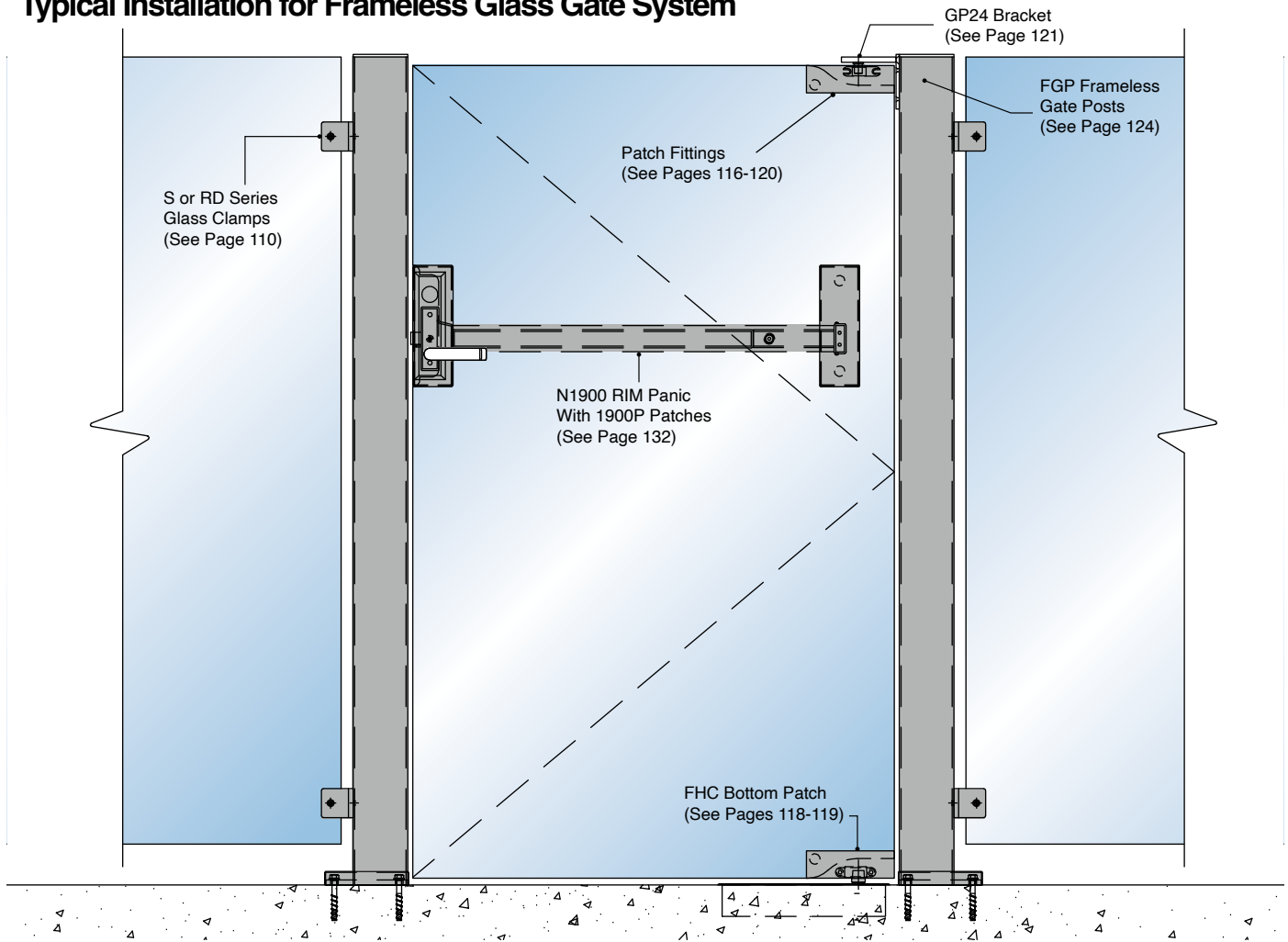


Enter the Item Number or scan QR code with your smartphone for complete product details



# FHC Glass Gate Systems

## Typical Installation for Frameless Glass Gate System



visit [fhc-usa.com](http://fhc-usa.com) to search for

Gates



Enter the Item Number or scan QR code with your smartphone for complete product details



4361 Firestone Blvd. South Gate, CA 90280  
Toll Free: (888) 295-4531 | Direct: (323) 968-2031  
Fax: (323) 336-8307 | [fhc-usa.com](http://fhc-usa.com)



FHC Glass Gate Door Rails

FHC-ADVANCE SERIES FRAMELESS GLASS ENTRANCE SYSTEM

FHC Advance **HERC-DOOR**® Rails

2-1/2" Low Profile Tapered & Square Door Rail

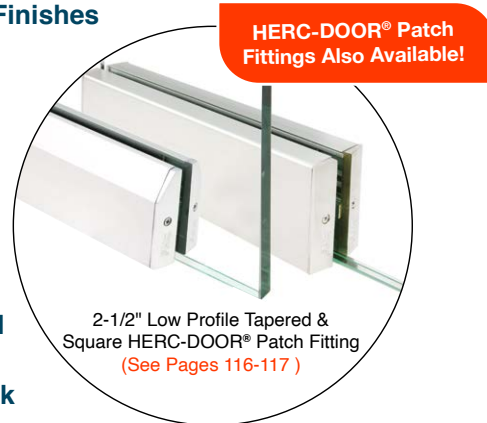
- U.S. Patent Nos. 11,060,341 and 11,187,323
- New Modern Crisp Corner Design
- Easiest and Fastest Rail to Install in the Industry
- For 3/8", 1/2", 5/8" or 3/4" Monolithic Tempered and 9/16", 11/16" or 13/16" Laminated Tempered Glass
- Class 1 Anodizing UV Stable Finishes That Will Not Fade
- Increased Glass Bite Improves Holding Strength and Aesthetics
- Solid One Piece Aluminum Housing
- 2-3/4" Factory Set Backset Pivot Point that is Adjustable
- Innovative Anti-Clamshell Pad End Cap
- Available With or Without Lock
- Available In a Wide Range of Architectural Finishes
- Accepts Standard Size Mounting Hardware



Door Rail With Lock Shown



U.S. Patent Nos. 11,060,341 and 11,187,323



2-1/2" Low Profile Tapered & Square Door Rail for 3/8", 1/2" or 9/16" Tempered or Laminated Glass

Finishes In Stock



\* Custom Finishes

2-1/2" LOW PROFILE TAPERED & SQUARE DOOR RAILS 35-3/4" LENGTH - STOCK PRODUCTS **READY TO SHIP**

FOR 3/8" GLASS WITHOUT LOCK ITEM NO.	FOR 3/8" GLASS WITH LOCK ITEM NO.	FOR 1/2" & 9/16" GLASS WITHOUT LOCK ITEM NO.	FOR 1/2" & 9/16" GLASS WITH LOCK ITEM NO.
R25T38XX (Tapered)	R25T38XXL (Tapered)	R25T12XX (Tapered)	R25T12XXL (Tapered)
R25S38XX (Square)	R25S38XXL (Square)	R25S12XX (Square)	R25S12XXL (Square)

CUSTOM LENGTH AND/OR FINISH (\*) 2-1/2" LOW PROFILE TAPERED DOOR RAILS - MANUFACTURED TO CUSTOMER SPECIFICATIONS

FOR 3/8" GLASS WITHOUT LOCK ITEM NO.	FOR 3/8" GLASS WITH LOCK ITEM NO.	FOR 1/2" & 9/16" GLASS WITHOUT LOCK ITEM NO.	FOR 1/2" & 9/16" GLASS WITH LOCK ITEM NO.
R25T38XXC (Tapered)	R25T38XXLC (Tapered)	R25T12XXC (Tapered)	R25T12XXLC (Tapered)
R25S38XXC (Square)	R25S38XXLC (Square)	R25S12XXC (Square)	R25S12XXLC (Square)

XX Denotes Finish.



THE GLAZING SUPPLY COMPANY  
EXPERIENCE AND INNOVATION

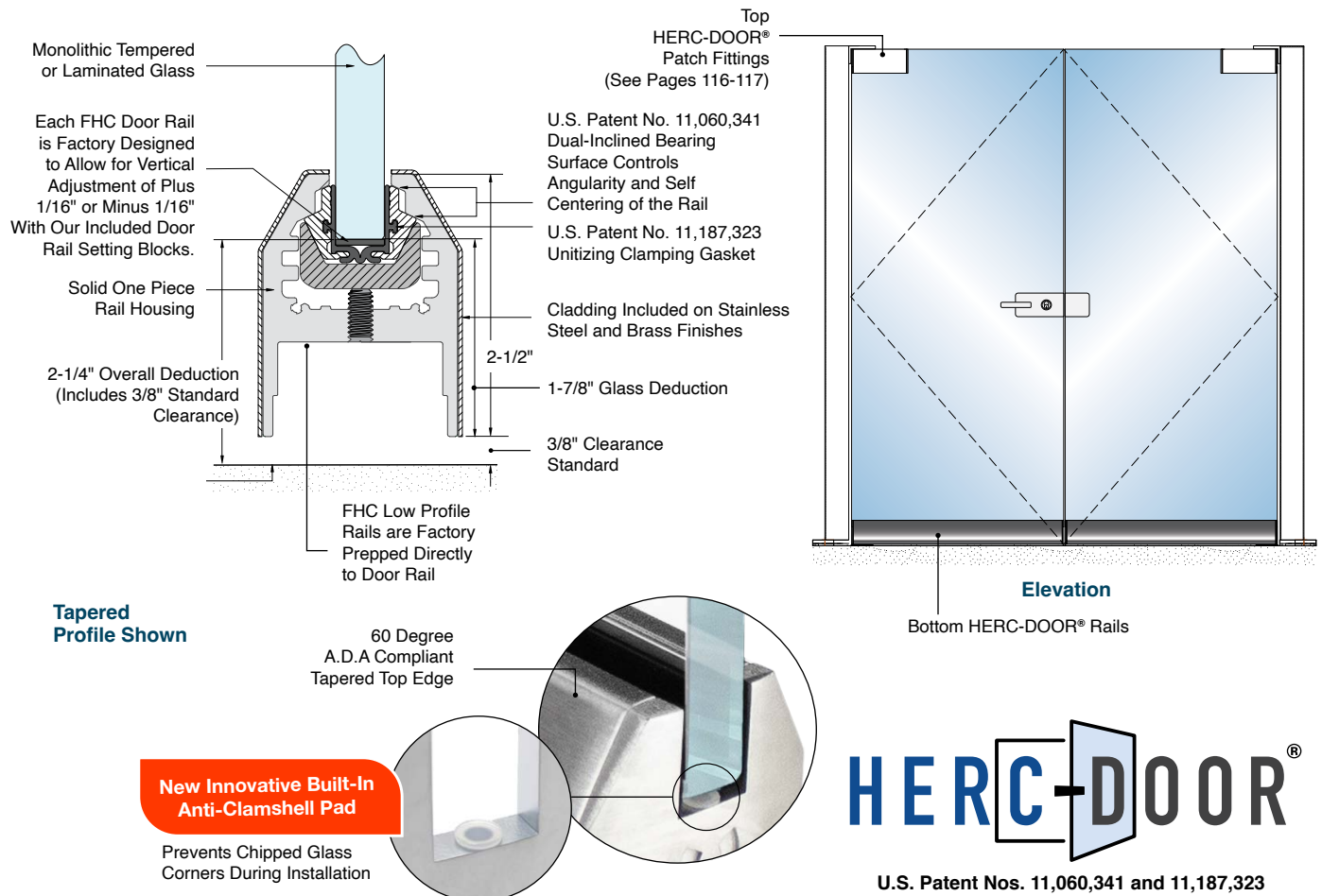


visit [fhc-usa.com](http://fhc-usa.com) to search for

Door Rails

Enter the Item Number or scan QR code with your smartphone for complete product details

# FHC Glass Gate Door Rails



## 2-1/2" Low Profile Tapered Door Rail for 5/8", 3/4", 11/16" or 13/16" Tempered or Laminated Glass

**PRODUCT INFO/SPECIFICATIONS:**

- CSI Format Specifications are Available for Download at [fhc-usa.com](http://fhc-usa.com)
- End Caps are Included with Every Door Rail
- Door Rails With Locks are Supplied Prepped and Installed, Keyed Cylinders, and Thumbturns are Sold Separately
- FHC Follows GANA Guidelines for Maximum Door Height and Widths. Reference the FHC HERC-DOOR® Sizing Guidelines.
- For Replacement End Caps, visit [fhc-usa.com](http://fhc-usa.com) and search for Item No. **R25TEC**

Chat With FHC On Our Website to Get Real Time Expert Support from Knowledgeable Reps

**Chat With Us!**

**2-1/2" LOW PROFILE TAPERED & SQUARE DOOR RAILS 35-3/4" LENGTH - STOCK PRODUCTS READY TO SHIP**

FOR 5/8" & 11/16" GLASS WITHOUT LOCK ITEM NO.	FOR 5/8" & 11/16" GLASS WITH LOCK ITEM NO.	FOR 3/4" & 13/16" GLASS WITHOUT LOCK ITEM NO.	FOR 3/4" & 13/16" GLASS WITH LOCK ITEM NO.
R25T58XX (Tapered)	R25T58XXL (Tapered)	R25T34XX (Tapered)	R25T34XXL (Tapered)
R25S58XX (Square)	R25S58XXL (Square)	R25S34XX (Square)	R25S34XXL (Square)

**CUSTOM LENGTH AND/OR FINISH (\*) 2-1/2" LOW PROFILE TAPERED DOOR RAILS - MANUFACTURED TO CUSTOMER SPECIFICATIONS**

FOR 5/8" & 11/16" GLASS WITHOUT LOCK ITEM NO.	FOR 5/8" & 11/16" GLASS WITH LOCK ITEM NO.	FOR 3/4" & 13/16" GLASS WITHOUT LOCK ITEM NO.	FOR 3/4" & 13/16" GLASS WITH LOCK ITEM NO.
R25T58XXC (Tapered)	R25T58XXLC (Tapered)	R25T34XXC (Tapered)	R25T34XXLC (Tapered)
R25S58XXC (Square)	R25S58XXLC (Square)	R25S34XXC (Square)	R25S34XXLC (Square)

XX Denotes Finish.

visit [fhc-usa.com](http://fhc-usa.com) to search for

**Door Rails**

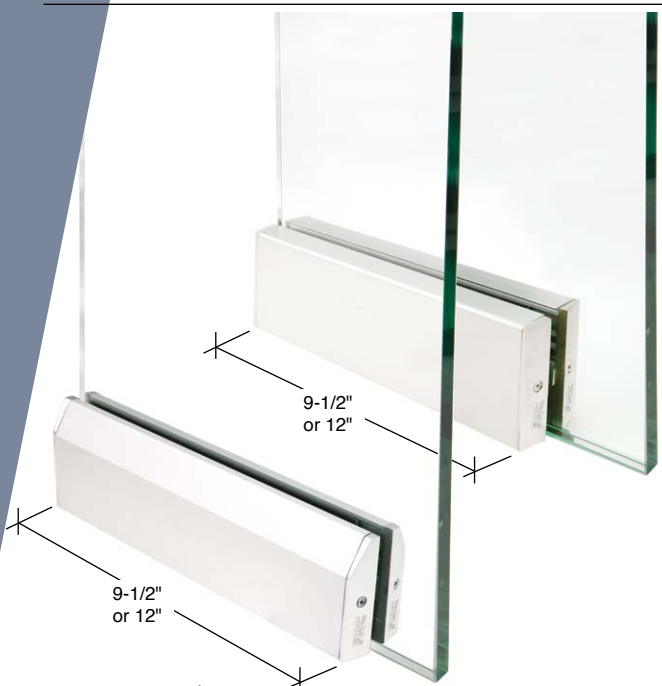
Enter the Item Number or scan QR code with your smartphone for complete product details



4361 Firestone Blvd. South Gate, CA 90280  
 Toll Free: (888) 295-4531 | Direct: (323) 968-2031  
 Fax: (323) 336-8307 | [fhc-usa.com](http://fhc-usa.com)



FHC Glass Gate Patch Hardware



FHC-ADVANCE SERIES FRAMELESS GLASS ENTRANCE SYSTEM

FHC Advance HERC-DOOR® Patch

2-1/2" Low Profile Tapered HERC-DOOR® Patch Fitting

- U.S. Patent Nos. 11,060,341 and 11,187,323
- Easiest and Fastest Patch Fitting to Install in the Industry
- For 3/8", 1/2", 5/8", 3/4" Monolithic Tempered and 9/16", 11/16", or 13/16" Laminated Tempered Glass
- Class 1 Anodizing UV Stable Finishes That Will Not Fade
- Increased Glass Bite Improves Holding Strength and Aesthetics
- Solid One Piece Aluminum Housing
- 2-3/4" Factory Set Backset Pivot Point that is Adjustable
- New Innovative Anti-Clamshell Pad Standard End Cap
- Available With or Without Lock
- Available In a Wide Range of Architectural Finishes
- Accepts Standard Size Mounting Hardware



U.S. Patent Nos. 11,060,341 and 11,187,323

9-1/2" Long Patches for 3/8", 1/2", or 9/16" Glass

12" Long Patches for 5/8", 3/4", 11/16" or 13/16" Glass

2-1/2" Low Profile Tapered HERC-DOOR® 9-1/2" Patch Fitting for 3/8", 1/2" or 9/16" Tempered or Laminated Glass



Finishes In Stock



\* Custom Finishes

2-1/2" LOW PROFILE TAPERED HERC-DOOR® PATCH FITTING 9-1/2" LENGTH - STOCK PRODUCTS **READY TO SHIP**

FOR 3/8" GLASS WITHOUT LOCK ITEM NO.	FOR 3/8" GLASS WITH LOCK ITEM NO.	FOR 1/2" & 9/16" GLASS WITHOUT LOCK ITEM NO.	FOR 1/2" & 9/16" GLASS WITH LOCK ITEM NO.
PR25T38XX (Tapered)	PR25T38XXL (Tapered)	PR25T12XX (Tapered)	PR25T12XXL (Tapered)
PR25S38XX (Square)	PR25S38XXL (Square)	PR25S12XX (Square)	PR25S12XXL (Square)

CUSTOM LENGTH AND/OR FINISH (\*) 2-1/2" LOW PROFILE TAPERED HERC-DOOR® PATCH FITTING - MANUFACTURED TO CUSTOMER SPECIFICATION

FOR 3/8" GLASS WITHOUT LOCK ITEM NO.	FOR 3/8" GLASS WITH LOCK ITEM NO.	FOR 1/2" & 9/16" GLASS WITHOUT LOCK ITEM NO.	FOR 1/2" & 9/16" GLASS WITH LOCK ITEM NO.
PR25T38XXC (Tapered)	PR25T38XXLC (Tapered)	PR25T12XXC (Tapered)	PR25T12XXLC (Tapered)
PR25S38XXC (Square)	PR25S38XXLC (Square)	PR25S12XXC (Square)	PR25S12XXLC (Square)

XX Denotes Finish.



THE GLAZING SUPPLY COMPANY  
EXPERIENCE AND INNOVATION

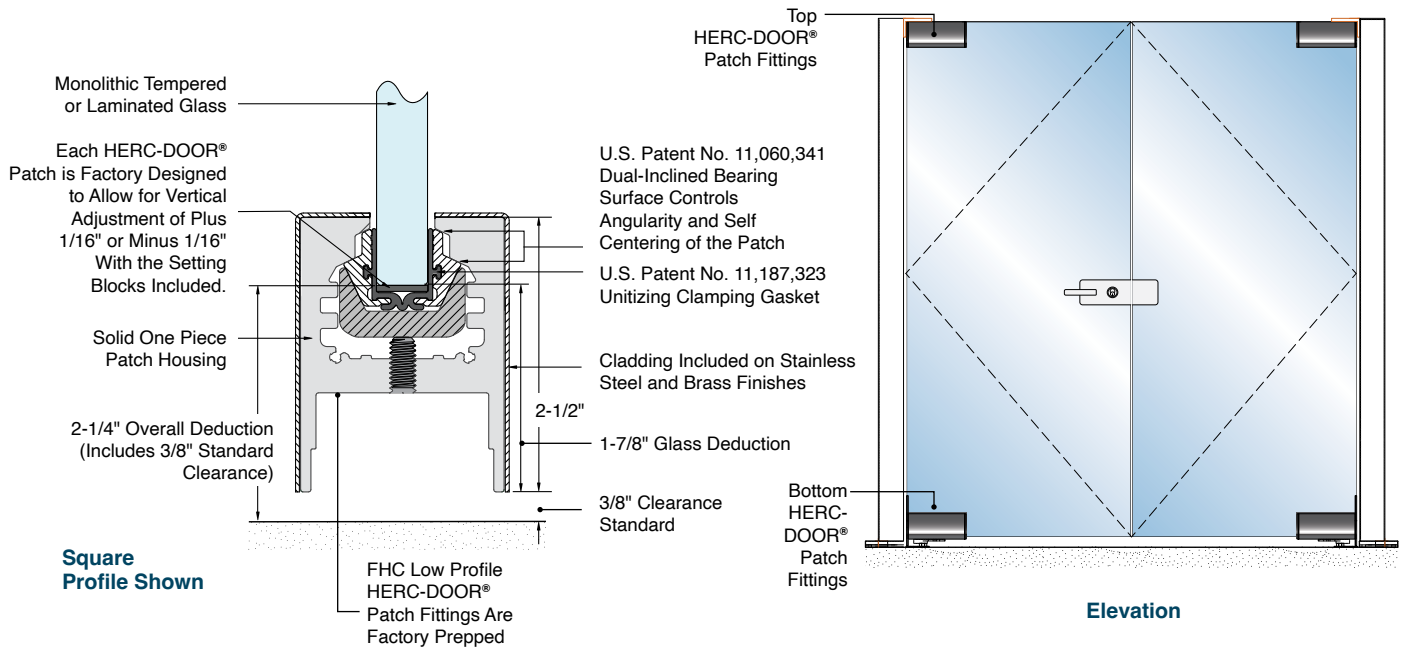


visit [fhc-usa.com](http://fhc-usa.com) to search for

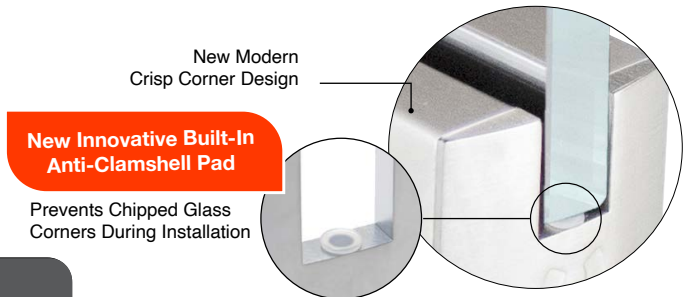
Patch Hardware

Enter the Item Number or scan QR code with your smartphone for complete product details

# FHC Glass Gate Patch Hardware



U.S. Patent Nos. 11,060,341 and 11,187,323



- PRODUCT INFO/SPECIFICATIONS:**
- CSI Format Specifications are Available for Download at [fhc-usa.com](http://fhc-usa.com)
  - End Caps are Included With Every HERC-DOOR® Patch
  - HERC-DOOR® Patch Fittings With Locks are Supplied Prepped and Installed, Keyed Cylinders, and Thumbturns are Sold Separately
  - FHC Follows GANA Guidelines for Maximum Door Height and Widths. Reference the FHC HERC-DOOR® Sizing Guidelines.
  - For Replacement End Caps, visit [fhc-usa.com](http://fhc-usa.com) and search for Item No. **R25SEC** for Standard End Cap and Item No. **R25SSEC** for the Split End Cap.

Chat With FHC On Our Website to Get Real Time Expert Support from Knowledgeable Reps



## 2-1/2" Low Profile Square HERC-DOOR® 12" Patch Fitting for 5/8", 3/4", 11/16" or 13/16" Tempered or Laminated Glass

2-1/2" LOW PROFILE TAPERED & SQUARE DOOR RAILS 35-3/4" LENGTH - STOCK PRODUCTS **READY TO SHIP**

FOR 5/8" & 11/16" GLASS WITHOUT LOCK ITEM NO.	FOR 5/8" & 11/16" GLASS WITH LOCK ITEM NO.	FOR 3/4" & 13/16" GLASS WITHOUT LOCK ITEM NO.	FOR 3/4" & 13/16" GLASS WITH LOCK ITEM NO.
PR25T58XX (Tapered)	PR25T58XXL (Tapered)	PR25T34XX (Tapered)	PR25T34XXL (Tapered)
PR25S58XX (Square)	PR25S58XXL (Square)	PR25S34XX (Square)	PR25S34XXL (Square)

CUSTOM LENGTH AND/OR FINISH (\*) 2-1/2" LOW PROFILE TAPERED DOOR RAILS - MANUFACTURED TO CUSTOMER SPECIFICATIONS

FOR 5/8" & 11/16" GLASS WITHOUT LOCK ITEM NO.	FOR 5/8" & 11/16" GLASS WITH LOCK ITEM NO.	FOR 3/4" & 13/16" GLASS WITHOUT LOCK ITEM NO.	FOR 3/4" & 13/16" GLASS WITH LOCK ITEM NO.
PR25T58XXC (Tapered)	PR25T58XXLC (Tapered)	PR25T34XXC (Tapered)	PR25T34XXLC (Tapered)
PR25S58XXC (Square)	PR25S58XXLC (Square)	PR25S34XXC (Square)	PR25S34XXLC (Square)

XX Denotes Finish.

visit [fhc-usa.com](http://fhc-usa.com) to search for

Patch Hardware

Enter the Item Number or scan QR code with your smartphone for complete product details



4361 Firestone Blvd. South Gate, CA 90280  
Toll Free: (888) 295-4531 | Direct: (323) 968-2031  
Fax: (323) 336-8307 | [fhc-usa.com](http://fhc-usa.com)



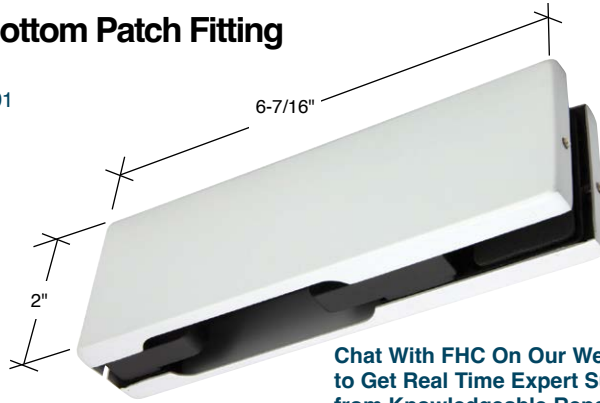
## FHC Glass Gate Patch Hardware

### FHC European Top or Bottom Patch Fitting

- European 2-9/16" Pivot Setback
- Use With Top PF303 or Bottom PF301 Inserts (Sold Separately)
- Gaskets For Use With 3/8" or 1/2" Tempered Glass
- Available in Five Finishes
- Works With Bottom Hydraulic Patch Fitting (See Below)
- Requires One 3/4" Hole and Cutout in Glass

ITEM NO.	FINISH
EPF201BS	Brushed Stainless
EPF201PS	Polished Stainless
EPF201SA	Satin Anodized
EPF201MB	Matte Black
EPF201DU	Dark Bronze

Minimum Order: 1 Each.



Chat With FHC On Our Website to Get Real Time Expert Support from Knowledgeable Reps

Chat With Us!



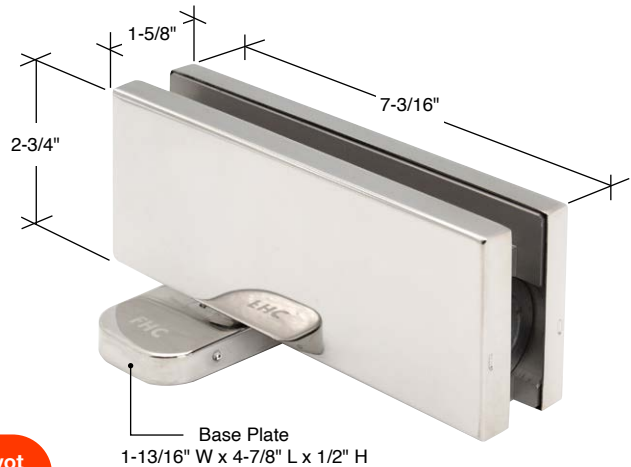
ITEM NO. **PF303**  
Top Pivot Insert  
(Sold Separately)



ITEM NO. **PF301**  
Bottom Pivot Insert  
(Sold Separately)

### FHC Hydraulic Patch Fitting

- European 2-9/16" Pivot Setback
- For 3/8", 1/2" or 9/16" Tempered Glass
- Hold-Open and No Hold-Open Models Available
- 40" Recommended Max Door Widths
- 220 Lb. Max Weight Limitation
- For Interior Use
- Surface Mount Design, No Floor Cutout Required
- Use with EPF201 Series Top Patch Fitting With 2-9/16" Pivot Setback (See Above)
- Requires Cutout in Glass



ITEM NO.	DESCRIPTION	FINISH
HPF90H0BS	90° Hold-Open	Brushed Stainless
HPF90H0PS	90° Hold-Open	Polished Stainless
HPF90H0SA	90° Hold-Open	Satin Anodized
HPF90H0MB	90° Hold-Open	Matte Black
HPF90NH0BS	90° No Hold-Open	Brushed Stainless
HPF90NH0PS	90° No Hold-Open	Polished Stainless
HPF90NH0SA	90° No Hold-Open	Satin Anodized
HPF90NH0MB	90° No Hold-Open	Matte Black

Minimum Order: 1 Each.

### FHC North American Top or Bottom Patch Fitting

- 2-3/4" Pivot Setback
- Gaskets for Use With 3/8" or 1/2" Tempered Glass
- Use With Top PF303 or Bottom PF301 Inserts (Sold Separately)
- Requires One 3/4" Diameter Hole and Cutout in Glass
- Five Architectural Finishes Available

ITEM NO.	FINISH
PF201BS	Brushed Stainless
PF201PS	Polished Stainless
PF201SA	Satin Anodized
PF201MB	Matte Black
PF201DU	Dark Bronze

Minimum Order: 1 Each.



ITEM NO. **PF304**  
Pivot Insert  
(Sold Separately)



ITEM NO. **PF303**  
Top Pivot Insert  
(Sold Separately)



ITEM NO. **PF301**  
Bottom Pivot Insert  
(Sold Separately)



THE GLAZING SUPPLY COMPANY  
EXPERIENCE AND INNOVATION



visit [fhc-usa.com](http://fhc-usa.com) to search for

Patch Hardware

Enter the Item Number or scan QR code with your smartphone for complete product details

## FHC Glass Gate Patch Hardware

### Dorma® North American Top Door Patch Fitting

- For 3/4" Tempered Glass
- For 2-3/4" Pivot Setback
- Requires One 13/16" Diameter Hole and Corner Notch in Glass

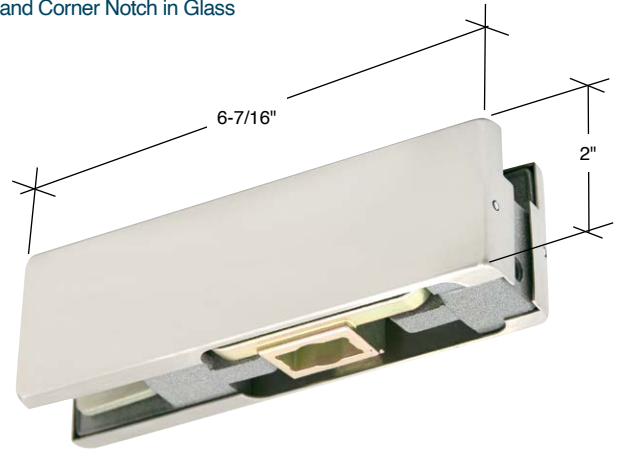


ITEM NO.	FINISH
PF2034BS	Brushed Stainless
PF2034PS	Polished Stainless

Minimum Order: 1 Each.

### Dorma® North American **dormakaba** Bottom Door Patch Fitting

- For 3/4" Tempered Glass
- For 2-3/4" Pivot Setback
- Requires One 13/16" Diameter Hole and Corner Notch in Glass

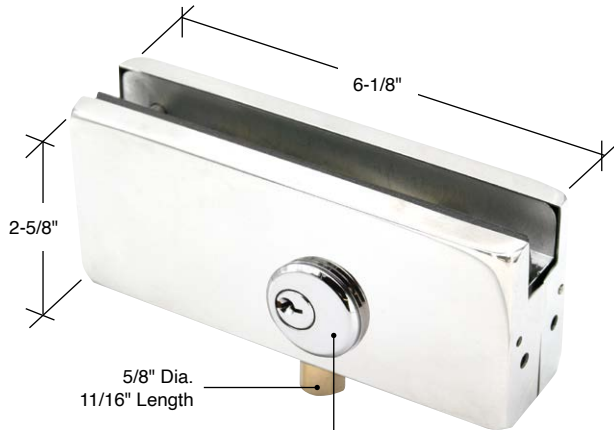


ITEM NO.	FINISH
PF1034BS	Brushed Stainless
PF1034PS	Polished Stainless

Minimum Order: 1 Each.

### Dorma® Bottom Patch Lock

- For 3/4" Tempered Glass
- High Density Cast Body With Lock Mechanism
- Two Architectural Finishes Available
- Requires One 13/16" Diameter Hole and Corner Notch in Glass



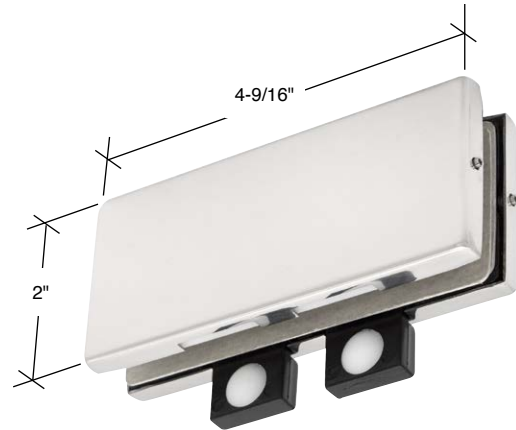
ITEM NO.	FINISH
PF21534BS	Brushed Stainless
PF21534PS	Polished Stainless

Minimum Order: 1 Each.

Cylinder/Thumbturn  
ITEM NO. **PF215CT**  
Sold Separately

### Dorma® Transom Mount Patch Fitting With Two Door Stops

- For 3/4" Tempered Glass
- Doors Can Swing Either In or Out
- Requires Two 13/16" Diameter Holes in Glass



ITEM NO.	FINISH
PF7034BS	Brushed Stainless
PF7034PS	Polished Stainless

Minimum Order: 1 Each.

dormakaba and DORMA are registered trademarks of dormakaba International Holding AG Aktiengesellschaft (AG) Joint Stock Company.

visit [fhc-usa.com](http://fhc-usa.com) to search for

Patch Hardware



Enter the Item Number or scan QR code with your smartphone for complete product details



4361 Firestone Blvd. South Gate, CA 90280  
Toll Free: (888) 295-4531 | Direct: (323) 968-2031  
Fax: (323) 336-8307 | [fhc-usa.com](http://fhc-usa.com)



## FHC Glass Gate Patch Hardware

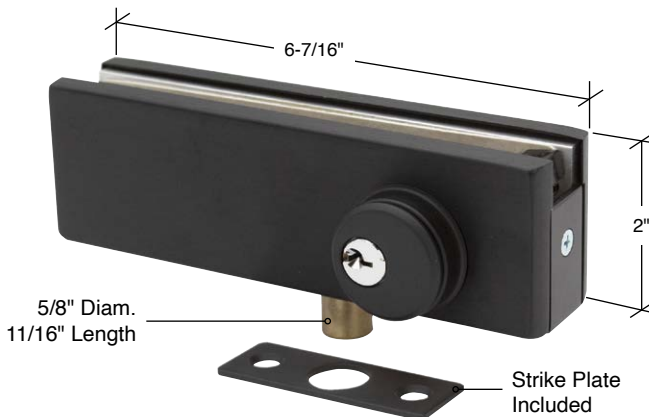
### FHC North American Corner Patch With Lock

- Use With PF205CT Cylinder/Thumbturn (Sold Separately)
- Mount To Either Top or Bottom of 3/8" or 1/2" Tempered Glass Door
- Available In Five Architectural Finishes
- Custom Paint Finishes Upon Request
- Requires One 3/4" Hole and Cutout In Glass

ITEM NO.	FINISH
PF205BS	Brushed Stainless
PF205PS	Polished Stainless
PF205SA	Satin Anodized
PF205MB	Matte Black
PF205DU	Dark Bronze

Minimum Order: 1 Each.

**Note:**  
Keyed Cylinder & Thumbturn Rings Sold Separately



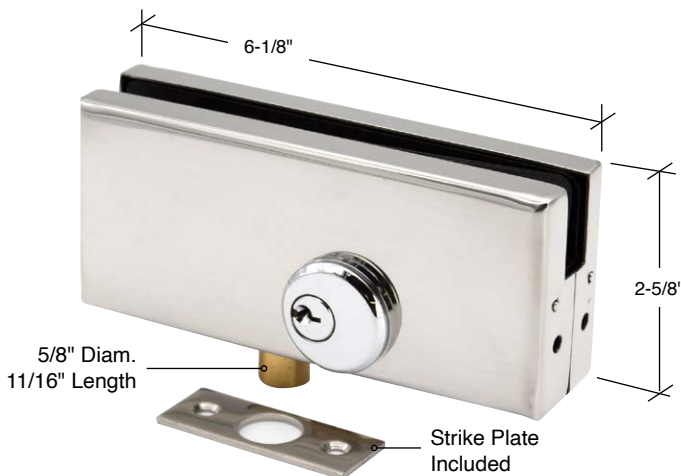
### FHC North American Patch Lock Heavy-Duty

- Use With PF215CT Cylinder/Thumbturn (Sold Separately)
- Mount To Either Top or Bottom of 3/8" or 1/2" Tempered Glass Door
- Available In Five Architectural Finishes
- Deep Channel for More Secured Glass
- Requires One 3/4" Hole and Cutout In Glass

ITEM NO.	FINISH
PF215BS	Brushed Stainless
PF215PS	Polished Stainless
PF215SA	Satin Anodized
PF215MB	Matte Black
PF215DU	Dark Bronze

Minimum Order: 1 Each.

**Note:**  
Keyed Cylinder & Thumbturn Rings Sold Separately



### FHC Deadthrow Low Profile Center Lock

- Slender Profile Center Lock
- Available In Four Architectural Finishes
- Uses RCT1 Cylinders and Thumbturn (Sold Separately)
- For 3/8" and 1/2" Tempered Glass
- Non Handed
- Requires Cutout in Glass

**Note:**  
Keyed Cylinder & Thumbturn Rings Sold Separately

ITEM NO.	FINISH
CL26BS	Brushed Stainless
CL26PS	Polished Stainless
CL26SA	Satin Anodized
CL26MB	Matte Black

Minimum Order: 1 Each.

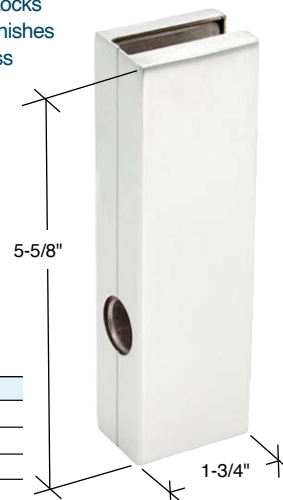


### FHC Deadthrow Low Profile Keeper

- Slender Profile Center Lock Keeper Used With CL26 Series Center Locks
- Available In Four Architectural Finishes
- For 3/8" and 1/2" Tempered Glass
- Non Handed
- Requires Cutout in Glass

ITEM NO.	FINISH
CLK26BS	Brushed Stainless
CLK26PS	Polished Stainless
CLK26SA	Satin Anodized
CLK26MB	Matte Black

Minimum Order: 1 Each.



**THE GLAZING SUPPLY COMPANY**  
EXPERIENCE AND INNOVATION



visit [fhc-usa.com](http://fhc-usa.com) to search for

**Patch Hardware**

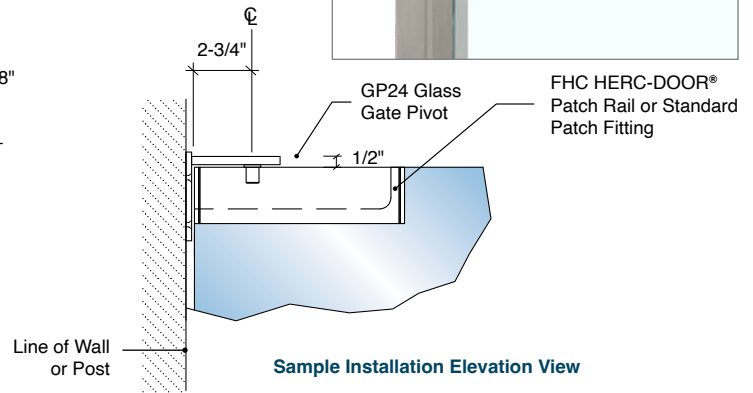
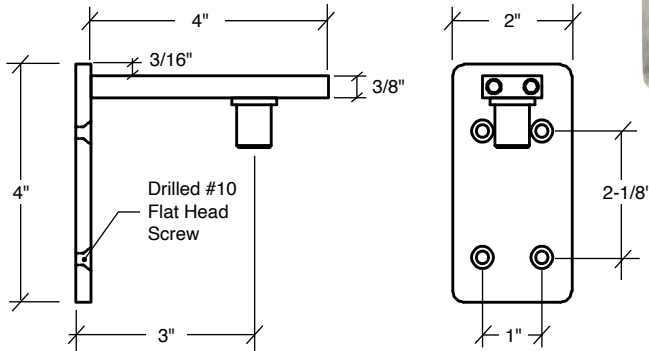
Enter the Item Number or scan QR code with your smartphone for complete product details



## FHC Glass Gate Patch Hardware

### FHC Wall or Post Mount Top Pivot Bracket for Frameless Glass Gate

- Glass to Wall or Post Applications Standard 2-3/4" Setback
- 304 Grade Stainless Steel
- 19/32" Diameter Pin
- Used with Patch Fittings and FHC HERC-DOOR® Rail Systems
- (See Pages 116-119) for Compatible Patches



ITEM NO.	FINISH
GP24BS	Brushed Stainless
GP24PS	Polished Stainless
GP24MB	Matte Black

Minimum Order: 1 Each.

### FHC Glass-To-Glass Gate Pivot

- Used for Glass-to-Glass Gate Applications
- 304 Grade Stainless Steel
- Use with Patch Fittings with 2-3/4" Setback
- (See Page 118) for Compatible Patches

ITEM NO.	FINISH
GGP2BS	Brushed Stainless
GGP2PS	Polished Stainless
GGP2MB	Matte Black

Minimum Order: 1 Each.



### FHC Heavy-Duty Top Pivot Block Door Fitting

- Used with HERC-DOOR® Rail Patch Fittings
- Heavy-Duty Top Pivot Adapter for Center Hung Applications
- Fits 19/32" (15 mm) Diameter Pin



visit [fhc-usa.com](http://fhc-usa.com) to search for

Patch Hardware

Enter the Item Number or scan QR code with your smartphone for complete product details



### FHC Top Pivot Center-Hung Free Swing

- Installed In Metal or Wood Surfaces
- Available in Brushed Stainless and Matte Black Finishes
- Used with Patch Fittings and FHC HERC-DOOR® Rail Systems
- Mounting Screws not Included



ITEM NO.	FINISH
PF401BS	Brushed Stainless
PF401MB	Matte Black

Minimum Order: 1 Each.

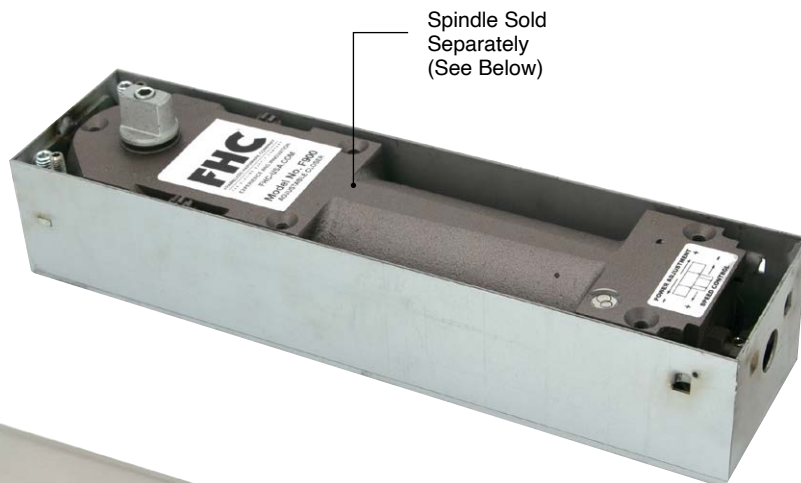
4361 Firestone Blvd. South Gate, CA 90280  
 Toll Free: (888) 295-4531 | Direct: (323) 968-2031  
 Fax: (323) 336-8307 | [fhc-usa.com](http://fhc-usa.com)



## FHC Floor Closers and Accessories

### FHC F900 Series Heavy-Duty Floor Mounted Door Closers With Backcheck

- 1300 Pound Weight Capacity
- Doors Up to 54" Wide
- Interchangeable Spindle Capabilities
- Adjustable Power Size 1-6
- Visual Level Bubble Assists During Install
- Includes Closer Body and Cement Case
- Spindle and Cover Sold Separately
- U.L. Listed
- Five Year Limited Warranty
- Can Be Set at 5 Pound Opening Force to Meet A.D.A. Requirements



Spindle Sold Separately (See Below)

Floor Closer



Cover Plate Sold Separately



**CAUTION!**

Door Closers Adjusted to Meet A.D.A. Requirements, Including those Certified to BHMA and ANSI Standard A156.4, May Not Provide Sufficient Power to Close and Latch Door.

**FHC F900 SERIES FLOOR CLOSER COVER PLATES**

ITEM NO.	FINISH
F900BSCP	Brushed Stainless
F900PSCP	Polished Stainless
F900PBCP	Polished Brass

Minimum Order: 1 Each.

**FHC F900 SERIES HEAVY-DUTY FLOOR CLOSER**

ITEM NO.	DESCRIPTION
F900H0FC	Hold Open 90-120 Degree Adjustable Spring
F900NH0FC	No Hold Open 180 Degree Adjustable Spring

Minimum Order: 1 Each.

### FHC Floor Mounted Tapered Type Spindles

- Fits F900 Series, FHC Brand, and dormakaba® Floor Closers
- Works On All FHC Door Rails and Patch Fittings
- Available in Seven Heights

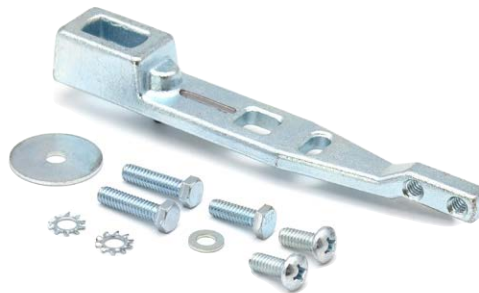


ITEM NO.	COLLAR HEIGHT
3040S3	1/8" (3 mm)
3040S8	5/16" (8 mm)
3040S13	1/2" (13 mm)
3040S18	3/4" (18 mm)
3040S23	7/8" (22 mm)
3040S28	1-1/8" (28 mm)
3040S33	1-5/16 (33 mm)

Minimum Order: 1 Each.

### FHC Short Center-Hung Floor Closer Arm

- Used With Floor Closers With Flat Tapered Spindles (FHC F900 Series Floor Closers See Above)
- Works With FHC HERC-DOOR® Rail System
- Mounting Screws Included



ITEM NO. 3040SA  
Minimum Order 1 Each

dormakaba is a registered trademark of dormakaba International Holding AG Aktiengesellschaft (AG) Joint Stock Company



**THE GLAZING SUPPLY COMPANY**  
EXPERIENCE AND INNOVATION



visit [fhc-usa.com](http://fhc-usa.com) to search for

Gate Hardware

Enter the Item Number or scan QR code with your smartphone for complete product details

## FHC Glass Gate Hardware

### FHC Adjustable Dual Purpose Floor Pivot Set (Standard)

- 3/4" Height Adjustment
- Used With End-Load and Side-Load Arms
- 200 Lbs. Weight Capacity
- Mounting Screws Included



ITEM NO. **3010DP**  
Minimum Order 1 Each

### FHC Heavy-Duty Floor Mounted Pivot

- 3/4" Height Adjustment
- 550 Lb. Weight Capacity
- Mounting Screws Included
- For Use With Heavy-Duty F900 Series Overhead Concealed Door Closers



ITEM NO. **HD3010DP**  
Minimum Order 1 Each

### FHC Floor Mounted Fixed Spindle Free-Swing Pivot

- Available in Brushed Stainless and Matte Black Finishes
- Used with Patch Fittings and FHC HERC-DOOR® Rail Systems
- 7/8" Flat Tapered Spindle
- Mounting Screws Included



ITEM NO.	FINISH
PF402BS	Brushed Stainless
PF402MB	Matte Black

Minimum Order: 1 Each.

### FHC Floor Mount End-Load Adjustable Bottom Pivot Set

- 1/4" to 1/2" Adjustable Bottom Clearance
- Adjust Without Having to Remove the Door
- Use With End-Load Arm Applications
- 200 lbs. Capacity
- Mounting Screws Included



ITEM NO. **3010ADJ**  
Minimum Order 1 Each

### FHC Adjustable Floor Pivot With Cover Plate

- Used With PF301 Patch Pivot Insert
- 220 Lbs. Weight Capacity
- Floor or Threshold Mounted
- 3/16" Height Adjustment
- Concealed Door Closers
- Mounting Screws Included



ITEM NO.	FINISH
PF403BS	Brushed Stainless
PF403MB	Matte Black

Minimum Order: 1 Each.

### FHC Adjustable Floor Free-Swing Bottom Pivot

- Allows Height Adjustment of 3/16" With Door Installed
- Available in Brushed or Polished Stainless Finish
- Mounting Screws Included



ITEM NO.	FINISH
PF407BS	Brushed Stainless
PF407MB	Matte Black

Minimum Order: 1 Each.

visit [fhc-usa.com](http://fhc-usa.com) to search for

Gate Hardware



Enter the Item Number or scan QR code with your smartphone for complete product details



4361 Firestone Blvd. South Gate, CA 90280  
Toll Free: (888) 295-4531 | Direct: (323) 968-2031  
Fax: (323) 336-8307 | [fhc-usa.com](http://fhc-usa.com)



# FHC Stainless Steel Glass Gate Posts



- Designed for Used With FHC's HERC-DOOR® Rails and Patches
- Posts Can Be Factory Prepped For Hinges, Strikes, Pivots, and Other Hardware Requirements
- T-304 Alloy Stainless Steel Standard (316 Available On Special Order)
- Custom Fabrication Services Available Upon Request

## Select Your Post Profile



ITEM NO. **FGP24XX**  
2" X 4" Post Profile



ITEM NO. **FGP4XX**  
4" X 4" Post Profile



ITEM NO. **FGP3XX**  
3" X 3" Post Profile



ITEM NO. **FGP2XX**  
2" X 2" Post Profile

## Specify What Hardware is Required



Gate Pivot

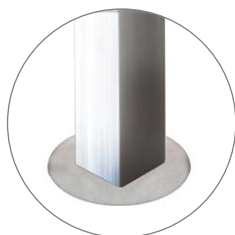


Glass Hinges



Strikes and Stops

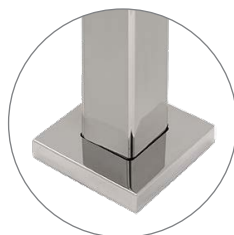
## Select Your Mounting Option



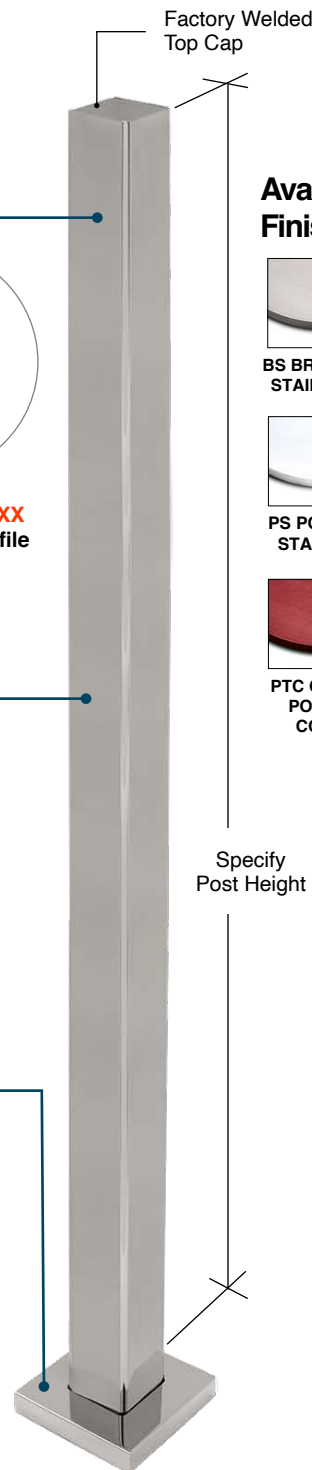
Core Mount



Surface Mount  
Offset Base  
Flange Mount



Surface Mount  
Standard Base  
Flange Mount



## Available Finishes



BS BRUSHED  
STAINLESS



PS POLISHED  
STAINLESS



PTC CUSTOM  
POWDER  
COLOR



THE GLAZING SUPPLY COMPANY  
EXPERIENCE AND INNOVATION



visit [fhc-usa.com](http://fhc-usa.com) to search for

Gate Hardware



Enter the Item Number or scan QR code with your smartphone for complete product details

## FHC Self-Closing Hinges

### FHC Panorama Series Hydraulic Self-Closing Wall Mount Hinges

- Designed for Self-Closing Gates or Doors
- For 3/8" or 1/2" Tempered Glass
- Dual Action
- Adjustable Closing Speed
- Hold Open and Non-Hold Open Models Available
- Brushed or Polished Stainless Finishes
- 316 Grade Stainless Steel
- Requires Glass Fabrication
- Maximum Door Width 40"
- Maximum Door Weight 132 Lbs.

**Panorama Hinges Are Sold As a Set**



**WALL MOUNT HINGES**

ITEM NO.	MODEL	FINISH
PAN1BS	Non Hold Open	Brushed Stainless
PAN1PS	Non Hold Open	Polished Stainless
PAN1HBS	Hold Open	Brushed Stainless
PAN1HPS	Hold Open	Polished Stainless

Minimum Order: 1 Set.

- Box Includes:**
- 1 Hydraulic Hinge
  - 1 Spring Hinge

### FHC Panorama Series Hydraulic Self-Closing 180 Degree Glass-to-Glass Hinges

- Designed for Self-Closing Gates or Doors
- For 3/8" or 1/2" Tempered Glass
- Dual Action
- Adjustable Closing Speed
- Hold Open and Non-Hold Open Models Available
- Brushed or Polished Stainless Finishes
- 316 Grade Stainless Steel
- Requires Glass Fabrication
- Maximum Door Width 40"
- Maximum Door Weight 132 Lbs.

**NEW**



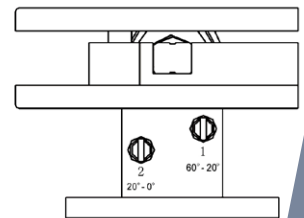
- Box Includes:**
- 1 Hydraulic Hinge
  - 1 Spring Hinge

**Panorama Hinges Are Sold As a Set**

**180 DEGREE GLASS-TO-GLASS HINGES**

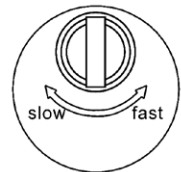
ITEM NO.	MODEL	FINISH
PAN2GBS	Non Hold Open	Brushed Stainless
PAN2GPS	Non Hold Open	Polished Stainless
PAN2HGBS	Hold Open	Brushed Stainless
PAN2HGPS	Hold Open	Polished Stainless

Minimum Order: 1 Set.



**Speed Adjustment**

1. Fully Tighten the No. 1 and No. 2 Speed Adjustment Valves.
2. Loosen the No 1 and No 2 Valves by 1/4 Turn.
3. Adjust the No 2 Valve to Ideal Closing Speed.
4. Adjust the No 1 Valve to Ideal Closing Speed.
5. It's Suggested to Turn No More Than 1/4 Turn Each Time You Adjust the Valves.



**WARNING:** Do Not Loosen the Speed Adjustment Screws Completely Out to Maintain Factory Standards and Ensure Proper Functioning.

visit [fhc-usa.com](http://fhc-usa.com) to search for

**Self Closing Hinges** 🔍

Enter the Item Number or scan QR code with your smartphone for complete product details



4361 Firestone Blvd. South Gate, CA 90280  
 Toll Free: (888) 295-4531 | Direct: (323) 968-2031  
 Fax: (323) 336-8307 | [fhc-usa.com](http://fhc-usa.com)



## FHC Self-Closing Hinges

### FHC Polaris 125 Series Gate Hinge Glass-to-Wall Or Post

- Tested to 10,000 Cycles
- 2205 Grade Stainless Steel
- Non-Hold Open
- Each Pair of Hinges Includes One Anti-Foothold Cap
- For 3/8" or 1/2" Tempered Glass
- Available in Three Popular Finishes

**Polaris Hinges  
Are Sold As a Set**



Speed Adjustment Slot

**NOW AVAILABLE IN A  
TRUE MATTE BLACK FINISH**



Anti-Foothold Cap

The **Polaris Soft Close Hinge** uses a spring and shock absorbers to ensure gentle closing every time from any position, whether fully or only slightly open. The **Polaris Soft Close Hinge** closes with a soft yet positive closing action not only making it safe, but also quiet in operation.

**GLASS-TO-WALL OR POST HINGE**

ITEM NO.	FINISH
PL5WBS	Brushed Stainless
PL5WPS	Polished Stainless
PL5WMB	Matte Black

Minimum Order: 1 Pair.

**Box Includes:**

- 1 Soft Close Hinge With Anti-Foothold
- 1 Soft Close Hinge Standard Cap

MAXIMUM DOOR CAPACITY	3/8" - 1/2" GLASS	
	DOOR WEIGHT	DOOR WIDTH
USING 2 HINGES	100 LBS. (66 kg)	36" (914.4 mm)

**NOTE:** Do not exceed either maximum weight or width when choosing proper quantity of hinges.

### FHC Polaris 125 Series Gate Hinge 180 Degree Glass-to-Glass

- 180 Degree Glass To Glass
- Self Closing From Any Position
- Used with 3/8"-1/2" Glass
- 2205 Duplex Stainless Steel
- Sold By Pair
- 9-Degree One Way Swing
- Available in 3 Architectural Finishes

**Great for Pool and  
Safety Fencing**



Anti-Foothold Cap

**NEW**



**Box Includes:**

- 1 Soft Close Hinge With Anti-Foothold
- 1 Soft Close Hinge Standard Cap

**GLASS-TO-WALL HINGE**

ITEM NO.	FINISH
PL5GBS	Brushed Stainless
PL5GPS	Polished Stainless
PL5GMB	Matte Black

Minimum Order: 1 Pair.

MAXIMUM DOOR CAPACITY	3/8" - 1/2" GLASS	
	DOOR WEIGHT	DOOR WIDTH
USING 2 HINGES	100 LBS. (66 kg)	36" (914.4 mm)

**NOTE:** Do not exceed either maximum weight or width when choosing proper quantity of hinges.



**THE GLAZING SUPPLY COMPANY**  
EXPERIENCE AND INNOVATION



visit [fhc-usa.com](http://fhc-usa.com) to search for

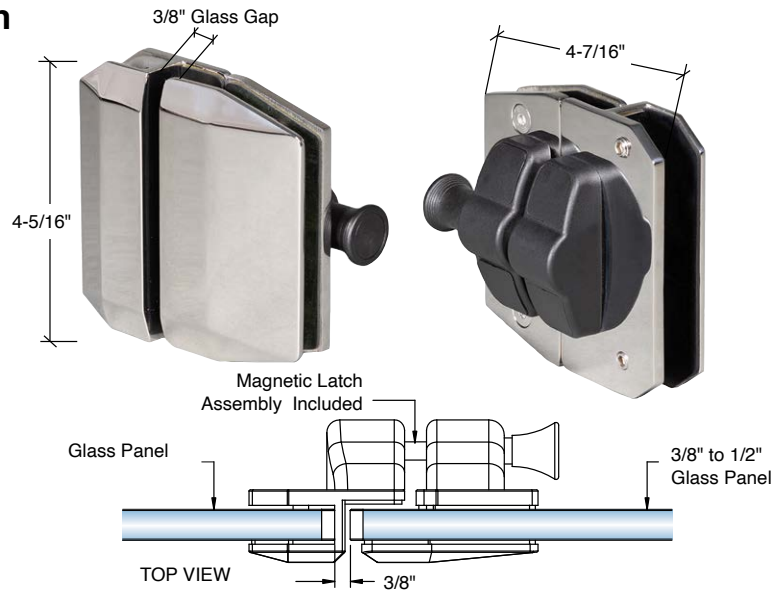
**Self Closing Hinges**

Enter the Item Number and scan QR code with your smartphone for complete product details

## FHC Glass Gate Latches

### FHC Polaris 180 Degree Gate Latch Glass-to-Glass With Side Pull Magnetic Latch

- For 180 Degree Glass-to-Glass Applications
- Used With 3/8"-1/2" Glass
- Includes Black Magnetic Side Pull Latch
- Available in 3 Architectural Finishes
- Available in Wall Mount, 180 Degree Glass-to-Glass and 90 Degree Glass-to-Glass Configurations
- Matching Self Closing Hinges Are Sold Separately (See Page 126)
- Glass Fabrication Required Visit [fhc-usa.com](http://fhc-usa.com) for Template



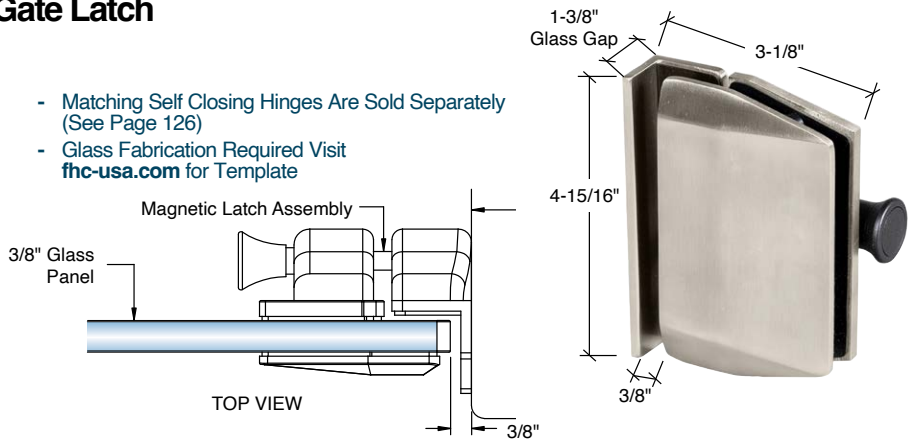
**GLASS-TO-GLASS HINGE**

ITEM NO.	FINISH
L180BS	Brushed Stainless
L180PS	Polished Stainless
L180MB	Matte Black

Minimum Order: 1 Each.

### FHC Polaris Wall/Post Mount Gate Latch With Side Pull Magnetic Latch

- For Wall Mount or Post Mount Applications
- Used with 3/8"-1/2" Glass
- Includes Black Magnetic Side Pull Latch
- Available in 3 Architectural Finishes
- Available in Wall Mount, 180 Degree Glass-to-Glass and 90 Degree Glass-to-Glass Configurations
- Matching Self Closing Hinges Are Sold Separately (See Page 126)
- Glass Fabrication Required Visit [fhc-usa.com](http://fhc-usa.com) for Template



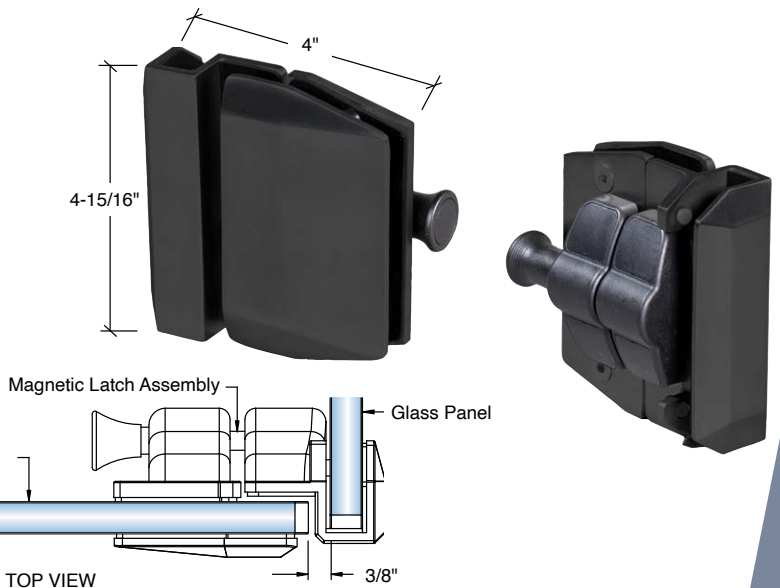
**GLASS-TO-WALL HINGE**

ITEM NO.	FINISH
LW1BS	Brushed Stainless
LW1PS	Polished Stainless
LW1MB	Matte Black

Minimum Order: 1 Each.

### FHC Polaris 90 Degree Gate Latch Glass-to-Glass With Side Pull Magnetic Latch

- For 90 Degree Glass to Glass Applications
- Used with 3/8"-1/2" Glass
- Includes Black Magnetic Side Pull Latch
- Available in 3 Architectural Finishes
- Available in Wall Mount, 180 Degree Glass-to-Glass and 90 Degree Glass-to-Glass Configurations
- Matching Self Closing Hinges Are Sold Separately (See Page 126)



**GLASS-TO-WALL HINGE**

ITEM NO.	FINISH
L90BS	Brushed Stainless
L90PS	Polished Stainless
L90MB	Matte Black

Minimum Order: 1 Each.

visit [fhc-usa.com](http://fhc-usa.com) to search for

Gate Latches



Enter the Item Number or scan QR code with your smartphone for complete product details

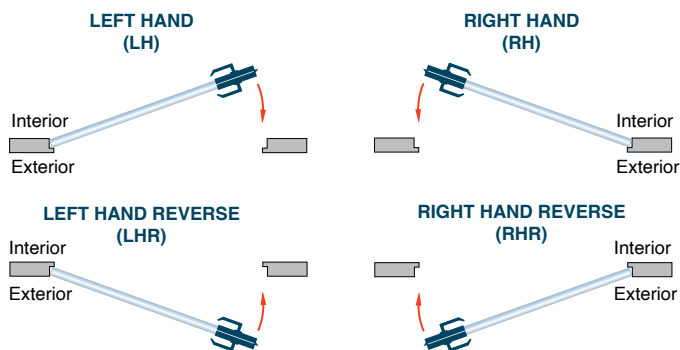


4361 Firestone Blvd. South Gate, CA 90280  
Toll Free: (888) 295-4531 | Direct: (323) 968-2031  
Fax: (323) 336-8307 | [fhc-usa.com](http://fhc-usa.com)



# FHC 6" x 10" Center Locks and Glass Keepers

- Three Lock Functions Available  
**Office, Entrance, and Storefronts**
- For 1/2" Tempered Glass
- 3/4" and 5/8" Glass Options Available On Special Order
- Four Popular Architectural Finishes
- Easy to Install, No Silicone or Cement Required



### Available Finishes



Shown: Center Lock and Center Lock Glass Keeper With Electric Strike

## FHC 6" x 10" Center Lock Office Function

- Outside Lever Locked by Rocker in Faceplate or By Exterior Key
- Inside Lever Always Retracts Lock
- Glass Fabrication Required



MADE IN U.S.A.



RHR Shown

### FHC 6" X 10" CENTER LOCK OFFICE FUNCTION FOR 1/2" GLASS

LH ITEM NO.	RH ITEM NO.	LHR ITEM NO.	RHR ITEM NO.	FINISH
CL6100LHBS	CL6100RHBS	CL6100LHRBS	CL6100RHRBS	Brushed Stainless
CL6100LHPS	CL6100RHPS	CL6100LHRPS	CL6100RHRPS	Polished Stainless
CL6100LHSA	CL6100RHSA	CL6100LHRSA	CL6100RHRSA	Satin Anodized
CL6100LHMB	CL6100RHMB	CL6100LHRMB	CL6100RHRMB	Matte Black

Minimum Order: 1 Each.



THE GLAZING SUPPLY COMPANY  
EXPERIENCE AND INNOVATION



visit [fhc-usa.com](http://fhc-usa.com) to search for

Center Locks

Enter the Item Number or scan QR code with your smartphone for complete product details



## FHC Center Locks and Glass Keepers

### FHC 6" x 10" Center Lock Entrance Function

- Deadbolt Operated By Exterior Key or Interior Thumbturn
- Latchbolt Operated By Lever on Either Side Except When Locked by Rocker in Faceplate
- Inside Lever Opens Both Deadbolt and Latchbolt at the Same Time
- Glass Fabrication Required

**NOW AVAILABLE IN A TRUE MATTE BLACK FINISH**



RH Shown

FHC 6" X 10" CENTER LOCK ENTRANCE FUNCTION FOR 1/2" GLASS

LH ITEM NO.	RH ITEM NO.	LHR ITEM NO.	RHR ITEM NO.	FINISH
CL610ELHBS	CL610ERHBS	CL610ELHRBS	CL610ERHRBS	Brushed Stainless
CL610ELHPS	CL610ERHPS	CL610ELHRPS	CL610ERHRPS	Polished Stainless
CL610ELHSA	CL610ERHSA	CL610ELHRSA	CL610ERHRSA	Satin Anodized
CL610ELHMB	CL610ERHMB	CL610ELHRMB	CL610ERHRMB	Matte Black

Minimum Order: 1 Each.

### FHC 6" x 10" Center Lock Storeroom Function

- Exterior Lever Always Fixed
- Latchbolt Operated by Inside Lever or Exterior Key
- Used With Electric Strikes (See Opposite Page)
- Glass Fabrication Required



MADE IN U.S.A.



FHC 6" X 10" CENTER LOCK STOREROOM FUNCTION FOR 1/2" GLASS

LH ITEM NO.	RH ITEM NO.	LHR ITEM NO.	RHR ITEM NO.	FINISH
CL610SLHBS	CL610SRHBS	CL610SLHRBS	CL610SRHRBS	Brushed Stainless
CL610SLHPS	CL610SRHPS	CL610SLHRPS	CL610SRHRPS	Polished Stainless
CL610SLHSA	CL610SRHSA	CL610SLHRSA	CL610SRHRSA	Satin Anodized
CL610SLHMB	CL610SRHMB	CL610SLHRMB	CL610SRHRMB	Matte Black

Minimum Order: 1 Each.

### FHC 6" x 10" Center Lock Glass Keeper for Office & Storeroom Locks

- Used With Office and Storeroom Locks (CL6100 and CL610S)
- For 1/2" Tempered Glass
- Dual Latch Entry Ramp Strike Plate Allows for Any Door Swing Application
- Glass Fabrication Required

Chat With FHC On Our Website to Get Real Time Expert Support from Knowledgeable Reps



FHC 6" X 10" CENTER LOCK GLASS KEEPER FOR OFFICE & STOREROOM LOCKS

ITEM NO.	FINISH
CLK610BS	Brushed Stainless
CLK610PS	Polished Stainless
CLK610SA	Satin Anodized
CLK610MB	Matte Black

Minimum Order: 1 Each.

visit [fhc-usa.com](http://fhc-usa.com) to search for

Enter the Item Number or scan QR code with your smartphone for complete product details



4361 Firestone Blvd. South Gate, CA 90280  
Toll Free: (888) 295-4531 | Direct: (323) 968-2031  
Fax: (323) 336-8307 | [fhc-usa.com](http://fhc-usa.com)



## FHC Center Locks and Glass Keepers

### FHC 6" x 10" Center Lock Glass Keeper for Entrance Lock

- Used With Entrance Locks (CL610E Series)
- For 1/2" Tempered Glass
- Dual Latch Entry Ramp Strike Plate Allows for Any Door Swing Applications
- Glass Fabrication Required
- Available in Four Architectural Finishes

**NOW AVAILABLE IN A  
TRUE MATTE BLACK FINISH**



#### FHC 6" X 10" CENTER LOCK GLASS KEEPER FOR ENTRANCE LOCKS

ITEM NO.	FINISH
CLK610EBS	Brushed Stainless
CLK610EPS	Polished Stainless
CLK610ESA	Satin Anodized
CLK610EMB	Matte Black

Minimum Order: 1 Each.

### FHC 6" x 10" Center Lock Glass Keeper With Electric Strike

- Works With Storeroom Function Center Locks
- For 1/2" Tempered Glass
- Includes 24V DC Electric Strike
- Glass Fabrication Required
- Available in Four Architectural Finishes



**NOTE:** When Ordering  
Specify the Same Handing  
as 6" x 10" Center Lock.

#### FHC 6" X 10" CENTER LOCK GLASS KEEPER WITH ELECTRIC STRIKE

LH/RHR ITEM NO.	RH/LHR ITEM NO.	FINISH
CLKE610LHBS	CLKE610RHBS	Brushed Stainless
CLKE610LHPS	CLKE610RHPS	Polished Stainless
CLKE610LHSA	CLKE610RHSA	Satin Anodized
CLKE610LHMB	CLKE610RHMB	Matte Black

Minimum Order: 1 Each.

### Adams Rite® 7160 24V DC Electric Strike

- Designed for Use with Mortise or Cylindrical Type Locksets
- Up to 3/4" Latchbolt Projection Without Deadbolt
- Used in Aluminum Applications
- Available in Satin Anodized and Dark Bronze Anodized
- Mounting Clips, Adhesive Shims and Mounting Screws Included
- Comes Fail-Secure, Can be Converted to Fail-Safe at Jobsite

#### 7160 24V DC ELECTRIC STRIKE

ITEM NO.	FINISH
AR7160SA	Satin Anodized
AR7160DU	Dark Bronze Anodized

Minimum Order: 1 Each.

Adams Rite is a registered trademark of Adams Rite Manufacturing Co., an ASSA ABLOY Group Company.



### Adams Rite® Lip Extensions

The 7160 Electric Strike has a lip length for a 1-3/4" thick door. When door thickness or jamb depth differs, Lip Extension Kits are available.



#### LIP EXTENSIONS

ITEM NO.	DESCRIPTION
7160L1P4	For 4" Frame Jamb
7160L1P45	For 4-1/2" Frame Jamb
7160L1P6	For 6" Frame Jamb

Minimum order: 1 each.

RHR Shown



**THE GLAZING SUPPLY COMPANY**  
EXPERIENCE AND INNOVATION



visit [fhc-usa.com](http://fhc-usa.com) to search for

**Center Locks**

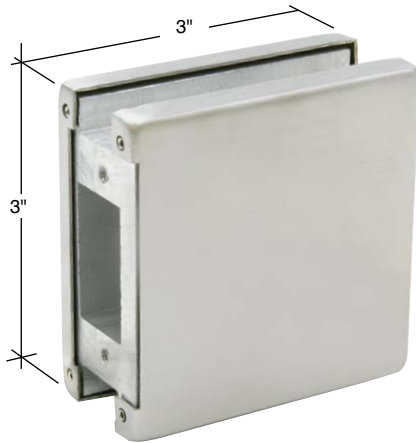


Enter the Item Number or scan QR code with your smartphone for complete product details

## FHC Latch Locks and Keepers

### FHC PFL Series Glass Mount Patch Lock Keeper

- Works With PFL900 Glass Mount Lever Latch Lock
- For 3/8" and 1/2" Tempered Glass
- Requires Cut Out In Glass



ITEM NO.	FINISH
PFL901BS	Brushed Stainless
PFL901PS	Polished Stainless
PFL901SA	Satin Anodized
PFL901MB	Matte Black
PFL901DU	Dark Bronze

Minimum Order: 1 Each.

### FHC PFL Series Glass Mount Latch Lock

- For 3/8" and 1/2" Tempered Glass
- Works With PFL901 Series Glass Mount Keeper
- Glass Cut Out Required



ITEM NO.	FINISH
PFL900BS	Brushed Stainless
PFL900PS	Polished Stainless
PFL900SA	Satin Anodized
PFL900MB	Matte Black
PFL900DU	Dark Bronze

Minimum Order: 1 Each. Includes: Keyed Lock, Thumbturn, and Lever Handles

### FHC Deadthrow Low Profile Center Lock

- Slender Profile Center Lock
- Available In Four Architectural Finishes
- Uses RCT1 Cylinders and Thumbturn (Sold Separately)
- For 3/8" and 1/2" Tempered Glass
- Non Handed
- Requires Cutout in Glass

**Note:**  
Keyed Cylinder & Thumbturn Rings Sold Separately

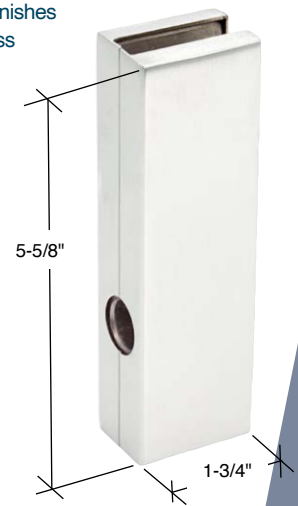


ITEM NO.	FINISH
CL26BS	Brushed Stainless
CL26PS	Polished Stainless
CL26SA	Satin Anodized
CL26MB	Matte Black

Minimum Order: 1 Each.

### FHC Deadthrow Low Profile Keeper

- Slender Profile Center Lock Keeper
- Used With CL26 Series Center Locks
- Available In Four Architectural Finishes
- For 3/8" and 1/2" Tempered Glass
- Non Handed
- Requires Cutout in Glass



ITEM NO.	FINISH
CLK26BS	Brushed Stainless
CLK26PS	Polished Stainless
CLK26SA	Satin Anodized
CLK26MB	Matte Black

Minimum Order: 1 Each.

visit [fhc-usa.com](http://fhc-usa.com) to search for

Latch Locks



Enter the Item Number or scan QR code with your smartphone for complete product details



4361 Firestone Blvd. South Gate, CA 90280  
Toll Free: (888) 295-4531 | Direct: (323) 968-2031  
Fax: (323) 336-8307 | [fhc-usa.com](http://fhc-usa.com)



## FHC Panic Exit Device and Accessories

### FHC 1900 Series Rim Panic Exit Device

- Rim Type Narrow Stile Exit Device
- Non Handed
- For 1-3/4" Thick Doors and FHC Glass Gate Mounting Pads
- U.L. Listed
- Available in (2) Architectural Finishes
- Fits Doors and Gates Up to 48" Wide
- Can Be Trimmed to Size



7160 24V DC ELECTRIC STRIKE

ITEM NO.	FINISH
N1900A	Aluminum
N1900MB	Matte Black

Minimum Order: 1 Each.

### FHC Trim For N1900A Exit Device

- Trim for N1900 Series Panic
- Available in (2) Architectural Finishes
- Works with SFH7 Mortise Housing
- Non-Handed and Reversible



ITEM NO.	FINISH
N604BS	Brushed Stainless
N604MB	Matte Black

Minimum Order: 1 Each.

### FHC Mortise Housing 7-Pin SM Format SFIC

- Allows Building Owners Quick and Easy Replacement Keying of Doors
- Used with FHC Herc-Door Rails, Locking Ladder Pulls, Center Locks and Other FHC Hardware
- SF1C02 or 1CKD Interchangeable Core to Be Purchased Separately
- Available In Three Architectural Finishes



ITEM NO.	FINISH
SFH7BS	Brushed Stainless
SFH7PS	Polished Stainless
SFH7DU	Dark Bronze Anodized
SFH7SA	Satin Anodized

Minimum Order: 1 Each.

### FHC Rim Cylinder Housing 7-Pin SM Format SFIC

- Used with FHC SF1C02 or 1CKD Interchangeable Core
- Replaceable with any 7-Pin Small Format Core



ITEM NO.	FINISH
SFH8BS	Brushed Stainless
SFH8PS	Polished Stainless
SFH8DU	Dark Bronze Anodized
SFH8SA	Satin Anodized

Minimum Order: 1 Each.

### FHC 7-Pin Small Format Interchangeable Core (SFIC) Keyed Different

- Use with FHC HERC-DOOR® Rails, Locking Ladder Pulls, Center Locks and Other FHC Hardware
- Control Key Allows Easy Replacement and Rekeying



ITEM NO. 1CKD  
Minimum Order 1 Each

### FHC 7-Pin Key #2 Small Format Interchangeable Core (SFIC)

- Use with FHC HERC-DOOR® Rails, Locking Ladder Pulls, Center Locks and Other FHC Hardware
- Control Key Allows Easy Replacement and Rekeying
- Best "A" Keyway



ITEM NO. SF1C02  
Minimum Order 1 Each



**THE GLAZING SUPPLY COMPANY**  
EXPERIENCE AND INNOVATION



visit [fhc-usa.com](http://fhc-usa.com) to search for

**Panic Device**

Enter the Item Number or scan QR code with your smartphone for complete product details

## FHC Panic Exit Device and Accessories

### FHC Rim Panic Glass Gate Mounting Patches

- 2-15/16 x 8-7/8" Patches
- Designed for use with N1900 Panic and N604 Trim
- For 1/2"-9/16" Glass Thickness
- Pre-Drilled and Ready to Install



N1900 Rim Panic  
(See Page 132)



N604 Trim  
(See Page 132)



SFH7 Mortise Housing  
(See Page 132)



ITEM NO.	FINISH
P1900BS	Brushed Stainless
P1900PS	Polished Stainless
P1900MB	Matte Black

Minimum Order: 1 Each.

### FHC Rim Panic Glass Gate Mounting Low Profile Patches

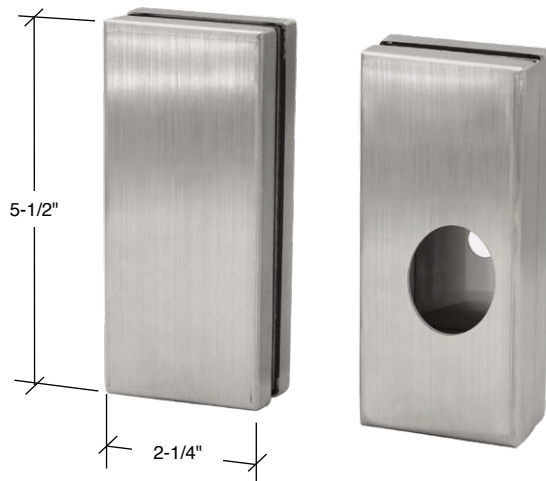
- 2-15/16 x 5-1/2" Patches
- Designed for use with N1900 Panic without Trim
- For 1/2"-9/16" Glass Thickness
- Pre-Drilled and Ready to Install



N1900 Rim Panic  
(See Page 132)



SFH8 Rim Cylinder Housing  
(See Page 132)



ITEM NO.	FINISH
LP1900BS	Brushed Stainless
LP1900PS	Polished Stainless
LP1900MB	Matte Black

Minimum Order: 1 Each.

visit [fhc-usa.com](http://fhc-usa.com) to search for

Panic Device



Enter the Item Number or scan QR code with your smartphone for complete product details



4361 Firestone Blvd. South Gate, CA 90280  
Toll Free: (888) 295-4531 | Direct: (323) 968-2031  
Fax: (323) 336-8307 | [fhc-usa.com](http://fhc-usa.com)



## FHC Glass Gate Accessories

### FHC Square Back-to-Back Door Pulls

- 1" Square Tubing
- For 3/8" to 3/4" Tempered Glass
- Available in 5 Standard Architectural Finishes
- Requires 2 Mounting Holes for Installation
- Installation Hardware is Included

#### Hole Size Requirements

- Two 5/8" Diameter Holes

12" CTC PULL ITEM NO.	FINISH
CPSQ12X12BS	Brushed Stainless
CPSQ12X12PS	Polished Stainless
CPSQ10X12SA	Satin Anodized
CPSQ12X12MB	Matte Black
CPSQ12X12DU	Dark Bronze Anodized

Minimum Order: 1 Each.

24" CTC PULL ITEM NO.	FINISH
CPSQ24X24BS	Brushed Stainless
CPSQ24X24PS	Polished Stainless
CPSQ24X24SA	Satin Anodized
CPSQ24X24MB	Matte Black
CPSQ24X24DU	Dark Bronze Anodized

Minimum Order: 1 Each.



### FHC Single Door Stop Header Mounted

- Available in Two Sizes of 2" or 6" Long
- Use With (2) #8 Flat Head Fasteners (Sold Separately)



#### 1/2" X 1/2" X 2" LONG

ITEM NO.	FINISH
0HDS2BS	Brushed Stainless
0HDS2PS	Polished Stainless
0HDS2DU	Dark Bronze Anodized
0HDS2SA	Satin Anodized

Minimum Order: 1 Each.

#### 1/2" X 1/2" X 6" LONG

ITEM NO.	FINISH
0HDS4BS	Brushed Stainless
0HDS4PS	Polished Stainless
0HDS4DU	Dark Bronze Anodized
0HDS4SA	Satin Anodized

Minimum Order: 1 Each.

### FHC Back-to-Back Pull Handles

- 1" Diameter Tubing
- Back-to-Back Round Pull for 3/8" to 3/4" Glass
- Available in Five Standard Architectural Finishes
- Requires Two Mounting Holes for Installation
- Installation Hardware is Included

#### Hole Size Requirements

- Two 5/8" Diameter Holes

10" PULL ITEM NO.	12" PULL ITEM NO.	FINISH
CP10X10BS	CP12X12BS	Brushed Stainless
CP10X10PS	CP12X12PS	Polished Stainless
CP10X10SA	CP12X12SA	Satin Anodized
CP10X10MB	CP12X12MB	Matte Black
CP10X10DU	CP12X12DU	Dark Bronze Anodized

Minimum Order: 1 Each.

18" PULL ITEM NO.	24" PULL ITEM NO.	FINISH
CP18X18BS	CP24X24BS	Brushed Stainless
CP18X18PS	CP24X24PS	Polished Stainless
CP18X18SA	CP24X24SA	Satin Anodized
CP18X18MB	CP24X24MB	Matte Black
CP18X18DU	CP24X24DU	Dark Bronze Anodized

Minimum Order: 1 Each.



### HES® 9600 Surface Mount Electric Strike

- 3/4" Thick Stainless Steel Housing
- Non Handed
- Field Selectable Fail Safe/Fail Secure
- Tamper Resistant
- Dual Voltage 12 or 24 VDC
- Horizontal Adjustment



ITEM NO. **H9600BS**  
Minimum Order: 1 Each

HES is a registered trademark of Henchett Systems, Inc., an ASSA ABLOY Group Company



THE GLAZING SUPPLY COMPANY  
EXPERIENCE AND INNOVATION



visit [fhc-usa.com](http://fhc-usa.com) to search for

Fence Hardware



Enter the Item Number or scan QR code with your smartphone for complete product details



PROFESSIONAL GRADE

# Section 8

FHC RAILING INSTALLATION TOOLS & SUPPLIES

Pages 135 to 158

- Laser Levels & Measuring Devices
- Glass Dollies and Staging Tools
- Scratch Removal Tool
- Cutting Tools and Abrasives
- Gloves & Protective Equipment
- Silicone & Caulking Guns
- Adhesives & Tapes
- Glass Cleaners & Lubricants
- Utility Blades, Knives, & Hand Tools

Chat With FHC On Our Website to Get Real Time Expert Support from Knowledgeable Reps

Chat With Us!



**THE GLAZING SUPPLY COMPANY**  
EXPERIENCE AND INNOVATION

4361 Firestone Blvd. South Gate, CA 90280  
Toll Free: (888) 295-4531 | Direct: (323) 968-2031  
Fax: (323) 336-8307 | fhc-usa.com

**FHC**<sup>®</sup>  
FRAMELESS HARDWARE COMPANY

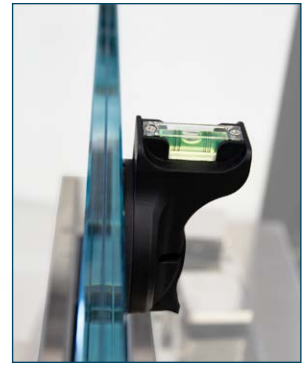
## FHC Glass Tools, Supplies and Equipment

### FHC Suction Cup with Spirit Levels

- Two Spirit Levels Allow for Easier and Faster Glass Panel Positioning
- Ideal for All-Glass Shower Doors, Glass Railings, Windscreens and Glass Partition Installations
- Easily Attaches to Glass, Metal, and Wood Nonporous Smooth Flat Surfaces
- 3-1/4" Diameter Suction Cup
- Manufactured From Durable Engineered Polymer



ITEM NO. **VCL325**  
Minimum Order: 1 Each.



### FHC 2 Line Laser Level Green Beam With Magnetic L-Stand

- Horizontal and Vertical Cross Line 2 Beam Laser Level
- Self Leveling with Lock Function
- Accuracy, Plus/Minus 5/16" at 30ft
- Includes Magnetic Mounting Bracket
- Green Beam Color, Interior and Exterior Use
- Requires (2) AA Batteries Not Included



ITEM NO. **LLT2**  
Minimum Order: 1 Each

### Kapro® 5 Dot Green Laser Level

- LL862G has a Green Beam Laser with a 5-Dot Pattern
- Projects a Horizontal Dot, Right and Left 90° Dots, and Plumb Up and Down Dots
- Includes a Multi-Function Magnetic Base, (2) AA Batteries, and a Soft Carrying Case



ITEM NO. **LL896G**  
Minimum Order: 1 Each

### Kapro® Cross-Line Green Laser Level

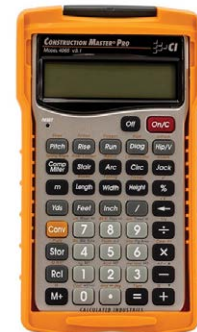
- Designed with a Manual Mode for Angular Layout or Tilted Marking
- Ideal for Tiling, Cabinet Installation, Framing, Trim Carpentry, and Picture Hanging
- Includes (2) AA Batteries and a Soft Carrying Case



ITEM NO. **LL862G**  
Minimum Order: 1 Each

### Construction Master® Pro Calculator

- Advanced Construction Based Math
- Solves Difficult Out-of-Square Measurements
- Converts Feet-Inch-Fractions, Decimal Feet-Inches, Yards and Metric, Including Area and Volume
- Includes Protective Cover



ITEM NO. **CM4065**

### AccuMASTER® Digital Caliper Fractional 1/64" and Metric



- Large Easy-Read Display-5/8" Tall
- Micrometer Easily Switches Between Units with a Single Button.
- Includes CR2032 Battery and (1) Spare

ITEM NO. **AM7410**  
Minimum Order 1 Each

### AccuMASTER® Digital Protractor Angle Finder and 7" Ruler



- Pivot Allows Full Rotation in Both Directions so you can Precisely Measure Inside or Outside Angles
- Large LCD Display Digits
- Includes Protective Case, Long-Life CR2032 3V Battery and Manual
- Stainless Steel

ITEM NO. **AM7455**  
Minimum Order 1 Each

Construction Master and AccuMaster are registered trademarks of Calculated Industries, Inc. Kapro is a registered trademark of Kapro Industries LTD.

**FHC**  
FRAMELESS HARDWARE COMPANY

THE GLAZING SUPPLY COMPANY  
EXPERIENCE AND INNOVATION



visit [fhc-usa.com](http://fhc-usa.com) to search for

Tools



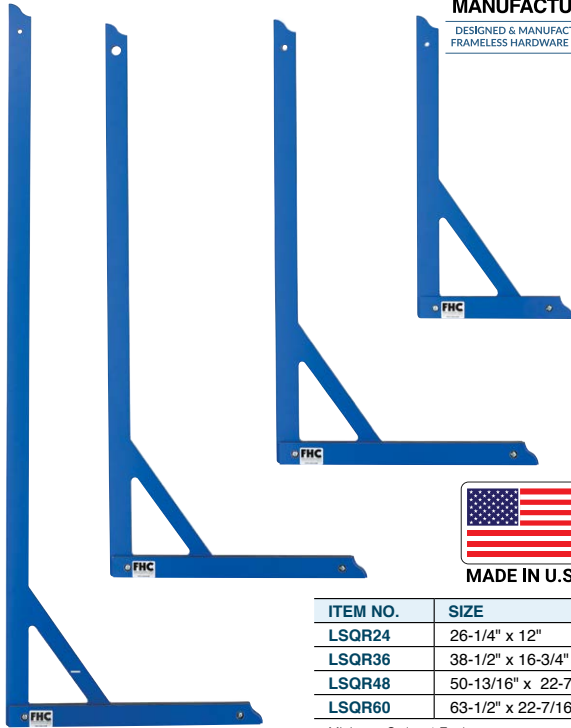
Enter the Item Number or scan QR code with your smartphone for complete product details



## FHC Glass Tools, Supplies and Equipment

### FHC Phenolic L-Squares

- Great for Making Square Accurate Cuts
- Designed and Manufactured from 1/4" High-Strength Phenolic Material
- Factory Tested and Calibrated
- Available in Multiple Sizes
- Three Piece Design for Strength and Longevity
- A Must Have Tool for Any Glass and Glazing Professional
- Proudly Made in the USA

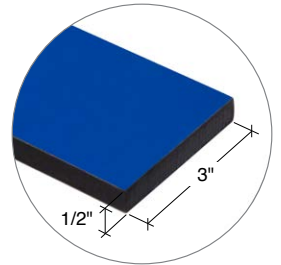


ITEM NO.	SIZE
LSQR24	26-1/4" x 12"
LSQR36	38-1/2" x 16-3/4"
LSQR48	50-13/16" x 22-7/16"
LSQR60	63-1/2" x 22-7/16"

Minimum Order: 1 Each.

### FHC Phenolic Straight Edges

- 3" Width
- Available in Three Sizes
- Strong Phenolic Material That Will Not Absorb Fluids or Warp
- An Essential Tool When Cutting Glass
- Heavy Duty 1/2" Thickness Built to Last
- A Must Buy for Any Glass & Glazing Professional
- Proudly Made in the USA



ITEM NO.	SIZE
PSE48	48" Length
PSE72	72" Length
PSE96	96" Length

Minimum Order: 1 Each.



ITEM NO. B06700  
Straight Edge Holder

### FHC 3/4" X 16' Fractional Pro Tape

- 3/4" X 16' Metal Blade
- Fractional Markings Shown to 8ths
- Thumb Lock



ITEM NO. TM16G  
Minimum Order 1 Each

### FHC Professional Tradesman's Tape

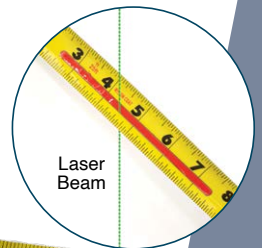
- Black Case Enclosed in a Rugged Rubber Grip
- 1" Wide Blade Width
- Fractional Markings



ITEM NO. PTM25  
Minimum Order: 1 Each

### FHC Gambit 25' Laser Lens Tape Measure

- 5" Red Translucent Window for Use With Lasers (Sold Separately)
- 25' Length With Nylon Wrapped Blade



ITEM NO. GLL25  
Minimum Order 1 Each

visit [fhc-usa.com](http://fhc-usa.com) to search for

Tools



Enter the Item Number or scan QR code with your smartphone for complete product details



4361 Firestone Blvd. South Gate, CA 90280  
Toll Free: (888) 295-4531 | Direct: (323) 968-2031  
Fax: (323) 336-8307 | [fhc-usa.com](http://fhc-usa.com)



## FHC Glass Tools, Supplies and Equipment

### FHC Magnetic Box Levels



- Three Sizes Available
- Magnified Horizontal Vial
- Plumb Site Dual-View Vial
- Solid Acrylic Shockproof Vials
- Shock-Proof Rubber End Caps Offer Optimized Impact Resistance

ITEM NO.	LENGTH
BL24M	24"
BL48M	48"
BL72M	72"

Minimum Order: 1 Each.

### FHC 9" Magnetic Torpedo Level

- Features 3 Cylindrical Vials, Horizontal, Vertical, and 45° Angle.
- Designed with a V-Groove for Use on Pipe/Conduits
- Rubber End Caps add Extra Durability



ITEM NO. **MTL9**  
Minimum Order: 1 Each

### AccuMASTER® PRO Digital Level/ Protractor With LED Display

- Sturdy I-Beam Aluminum Frame, Rubber Endcaps and Ip54 Dust/Water Splash Resistant Protection for Harsh Working Environments
- Accurate To +/- 0.2 Degrees
- Includes User's Guide and Protective Zipper Case
- Requires (2) AA Batteries Included



ITEM NO. **AM7210**  
Minimum Order: 1 Each

### FHC Magnetic Mini Post Level

- Ideal for Leveling Posts, Pipes, and Signs
- 4 Magnets Assist With Hands-Free Level Readings
- Compact, with 2 Horizontal and 1 Vertical Cylindrical Vials
- Adjustable Elastic Strap for Non-Magnetic Surfaces



ITEM NO. **MPL341**  
Minimum Order: 1 Each

### FHC 12.5" Diameter Measuring Wheel

- Designed for Heavy Duty Professional Use
- Has a Sturdy Frame
- Wide Stance Folding Kickstand, and Hefty Pistol Grip Designed for Increased Durability
- Suitable for Measuring Longer Distances Over Rough Surfaces
- Measure in Ft/10ths or Meters/Centimeters



ITEM NO. **125MW**  
Minimum Order: 1 Each

### FHC 100' Measuring Tape

- Closed Reel Design With Holding Rewind Crank
- Durable ABS Plastic Case



ITEM NO. **CMT100**  
Minimum Order: 1 Each

### FHC Chalkshot Marking Tool

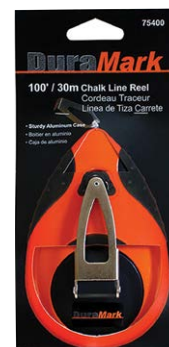
- Quick and Easy Highly Visible Non-Permanent Marking Solution for Drilling Blind Holes
- Works on Greasy, Dirt, and Rust Covered Surfaces
- Marks Up to 2" Away Sending a Spray of Bright Neon Green Chalk



ITEM NO. **CSMT**  
Minimum Order: 1 Each

### FHC Chalk Line In Aluminum Box

- Sturdy Aluminum Case
- 100' Chalk Line
- Folding Rewind Crank



ITEM NO. **CL100**  
Minimum Order: 1 Each

AccuMaster is a registered trademark of Calculated Industries, Inc.

**FHC**  
FRAMELESS HARDWARE COMPANY

THE GLAZING SUPPLY COMPANY  
EXPERIENCE AND INNOVATION



visit [fhc-usa.com](http://fhc-usa.com) to search for

Tools



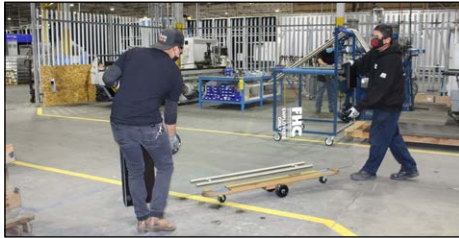
Enter the Item Number or scan QR code with your smartphone for complete product details

## FHC Glass Tools, Supplies and Equipment

### FHC Plate Glass Dolly

- Our Most Popular Glass Dolly
- Durable Phenolic Wheels and Wood Frame Construction
- Caster Rollers Allow Precise Pivot Control
- Felt Pads Add a Layer of Protection for Glass to Rest
- Designed for a Variety of Thicknesses of Glass
- 350 Pound Capacity

**NEW**



ITEM NO.	DESCRIPTION
GD60	60" Plate Glass Dolly
GD72	72" Plate Glass Dolly

Minimum order: 1 each.

### FHC Glazier Saver Rolling Cart

**NEW**



- Portable, Easy to Use for Glass, Wood or Stone 3/8" - 1/2" Thick Panels
- Sturdy, Durable Construction
- Works Great in Tight Spaces
- 1000 Lb. Load Capacity
- Easy to Disassemble for Convenient Storage
- 36" Length

ITEM NO. **GSRC3**  
Minimum Order: 1 Each

### FHC Glass Express Dolly

- Hold and Transport Sheets of Glass, Granite, Drywall, Doors, Plywood, and More
- Self-Adjusting Rubber Lined Clamp Holds up to 3.5" of Material
- Two Large 12.25" All-Terrain Foam Filled Tires with 700 lb Capacity
- Able to Traverse a Variety of Terrains
- Includes Locking Casters for Easy Loading and a Convenient Handle for Moving when Empty

**NEW**



ITEM NO. **GED1**  
Minimum Order: 1 Each

### FHC Glass Staging/ Positioning Pads

- Used to Set Glass During Installation to Prevent Damage
- 80 Durometer
- Sold in Pairs
- A Must for Every Glass Truck
- Two Sizes Available

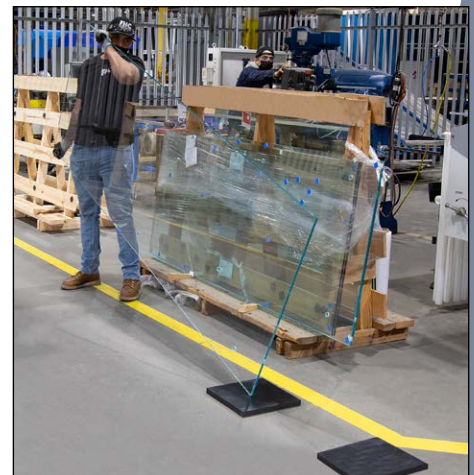


**NEW**



ITEM NO.	SIZE
GRPAD8	4" x 8" x 1"
GRPAD12	12" x 12" x 1"

Minimum Order: 1 Pair.



visit [fhc-usa.com](http://fhc-usa.com) to search for

**Tools**

Enter the Item Number or scan QR code with your smartphone for complete product details



4361 Firestone Blvd. South Gate, CA 90280  
Toll Free: (888) 295-4531 | Direct: (323) 968-2031  
Fax: (323) 336-8307 | [fhc-usa.com](http://fhc-usa.com)



## FHC Glass Tools, Supplies and Equipment

### FHC Gforce Max Scratch Removal Kit

- Perfect Solution for On-the-Go Jobs and Versatile scratch removal
- Repair Scratches On Flat Glass, Auto Glass, and Practically Any Type of Glass
- 120 Volt
- Kit Includes Everything You Need to Perform Basic Scratch Removal



#### Kit Includes:

- Gforce Max
- Complete Water Feed System
- Water Feed Bottle Holders
- Polishing Compound
- 2" Backer Pad
- 2" Polishing Disks
- IR Thermometer
- Wrench
- Wire Roughing Brush
- Compound-mixing Tool
- Ear Plugs
- Safety Glasses
- Medium Ballistic Case



ITEM NO. **SRP1**  
Minimum Order: 1 Kit

### Makita® 10" Compound Miter Saw

- Powerful 110 Volt 15 AMP Direct Drive Motor for Improved Performance; 4,600 RPM
- Miter Cuts 0°-45° Left and 0°-52° Right
- Bevel Cuts up to 45° to the Left
- 5/8" Arbor
- Positive Miter Stops at 9 Settings: 15°, 22.5°, 30°, 45° Right or Left and 0° (90° cuts)



ITEM NO. **CMS1040**  
Minimum Order: 1 Each

### Makita® 1/2" Spade Handle Heavy-Duty Drill

- 110 Volt 8.5 AMP Motor with Variable Speed
- Variable Speed (0 – 600 RPM) for Mixing and Drilling in a Wide Variety of Materials
- Forward and Reverse Lever for Operator Convenience
- Rubberized Grip for Comfortable Use
- Includes Drill Chuck, Chuck Key and Side Handle



ITEM NO. **DS4012**  
Minimum Order: 1 Each

### Makita® 10" x 5/8" Arbor 80 Tooth Saw Blade

- Tungsten Carbide Tipped Blades and Ultra Fine Kerf Provide Smoother Cuts
- Alternate Face Tooth Design for Ultra Precision Cutting



ITEM NO. **A93681**  
Minimum Order: 1 Each

### FHC Wax Lube

- Improves Saw Blade, Drill Bit and Sanding Belt/Disc Performance
- Reduces Friction to Increase Working Life
- Helps Keep Cutting Surfaces Sharp and Rust Free



ITEM NO. **TW535**  
Minimum Order: 1 Each

Makita is a registered trademark of Makita Corporation.

**FHC**  
FRAMELESS HARDWARE COMPANY

THE GLAZING SUPPLY COMPANY  
EXPERIENCE AND INNOVATION



visit [fhc-usa.com](http://fhc-usa.com) to search for

Tools



Enter the Item Number or scan QR code with your smartphone for complete product details

## FHC Glass Tools, Supplies and Equipment

### FHC Metal Cutting Band Saw With Stand

- Automatic Off Feature Prevents Unexpected Accidents
- Can be Used Either Horizontally or Vertically
- 3/4HP Motor with Blade Speeds of 80', 120' and 180' Per Minute
- Bevel Range of 0 to 60 Degrees
- Firm Stand and Wheel for Greater Stability



ITEM NO. **BS645**  
Minimum Order: 1 Each

### FHC Metal Band Saw Blade

- Fits BS645 Band Saw
- Blade 64-1/2" x 1/2"
- 14 TPI

ITEM NO. **BSB64514**  
Minimum Order: 1 Each



### Makita® 3/8" X 21" Belt Sander

- 110 Volt 4.4 AMP Motor
- Essential Tool for Glaziers, Woodworkers, Welders and Cabinet Installers
- Ideal When Working in Close Quarters
- Speed Dial Allows User to Adjust Speed Based on Project
- Locking "On" Button Allows Uninterrupted Use
- Lightweight with Excellent Maneuverability for Working With Irregular Shapes
- Includes (2) 80 Grit Abrasive Belts
- For Replacement Belts Go To [fhc-usa.com](http://fhc-usa.com)



ITEM NO. **BS9032**  
Minimum Order: 1 Each

### Makita® 1-1/8" X 21" Belt Sander

- 110 Volt 5 AMP Motor
- Speed Dial Allows User to Adjust Speed Based On Project
- Adjustable Side Handle for Easy and Comfortable Operation
- Compact and Lightweight with Excellent Maneuverability
- Narrow Belt and Exposed Front Pulley for Use on Irregular Shapes
- Includes (2) 40 Grit, (2) 60 Grit, (2) 80 Grit, (2) 100 Grit, and (2) 120 Grit
- For Replacement Belts Go To [fhc-usa.com](http://fhc-usa.com)



ITEM NO. **BS9031**  
Minimum Order: 1 Each

### Makita® 4-1/2" Angle Grinder

- 110 Volt 6 AMP Motor Delivers Up to 11,000 RPM for Tougher Jobs
- Easy to Handle: 2-1/4" Diameter Barrel and 4 lbs. Weight
- Side Handle Positioned to Increase User Comfort
- Includes 4-1/2" Grinding Wheel
- Order ITEM NO. B46159 for Ultra Thin Cut-Off Wheel



ITEM NO. **AG4530**  
Minimum Order: 1 Each

### Makita® 12V Cordless 1 CXT™ Tile/Glass Saw Kit

- 1,600 RPM for Faster and Powerful Cutting
- 3-3/8" Blade, 1" Maximum Cutting Depth
- Lightweight Ergonomic Design
- Nickel-Plated Base Tilts 0° to 45° for Bevel Cuts
- Includes 6.9 oz. Water Supply Tank, (2) 12V Lithium-Ion Batteries, (1) Charger and (1) 3-3/8" Diamond Tile/Glass Blade



ITEM NO. **CC02R1**  
Minimum Order 1 Each

Makita is a registered trademark of Makita Corporation.

visit [fhc-usa.com](http://fhc-usa.com) to search for

Tools



Enter the Item Number or scan QR code with your smartphone for complete product details



4361 Firestone Blvd. South Gate, CA 90280  
Toll Free: (888) 295-4531 | Direct: (323) 968-2031  
Fax: (323) 336-8307 | [fhc-usa.com](http://fhc-usa.com)

**FHC**  
FRAMELESS HARDWARE COMPANY

## FHC Glass Tools, Supplies and Equipment

### FHC 1-Cup Suction Lifter With Black Metal Body

**NEW**

- Ideal for Small Surfaces
- Offers a Firm Hold in Situations Where There is Insufficient Space for a 2-Cup Suction Lifter
- One-Hand Operable Lever with Comfortable Grip
- 55 Lb. Capacity



ITEM NO. **FHC5061**  
Minimum Order: 1 Each

### FHC 2-Cup Suction Lifter With Black Metal Body

**NEW**

- Sturdy 2-Cup Lever-Activated Suction Lifter for Lifting and Carrying Different Loads
- Suitable for All Materials With Flat Airtight Surfaces
- 110 Lb. Capacity



ITEM NO. **FHC5062**  
Minimum Order: 1 Each

### FHC 3-Cup Suction Lifter with Black Metal Body

**NEW**

- Safe Grip and Comfortable to Use
- High-Quality, Rubber Pads
- Suitable for All Materials and Objects With Flat, Airtight Surfaces
- 190 Lb. Capacity



ITEM NO. **FHC5063**  
Minimum Order: 1 Each

Wood's Powr-Grip Is a registered trademark of Wood's Powr-Grip, Inc.

### FHC 6" Wood's Vertical Handle Vacuum Cup For Curved And Flat Surfaces

- For Handling Smooth or Nonporous Surfaces
- 70 lbs. (32 kg) Load Capacity
- Ideal for Installing or Removing Windshields
- Vacuum Loss Measured With Red-Line Indicator
- Vacuum Pad Protector Included



ITEM NO. **WLJ6VH**  
Minimum Order: 1 Each

**FHC**<sup>®</sup>  
FRAMELESS HARDWARE COMPANY

THE GLAZING SUPPLY COMPANY  
EXPERIENCE AND INNOVATION



visit [fhc-usa.com](http://fhc-usa.com) to search for

Vacuum Cups



Enter the Item Number or scan QR code with your smartphone for complete product details

## FHC Glass Tools, Supplies and Equipment

### FHC Wood's Powr-Grip® 8" Flat Surface Vacuum Cup

- 125 Lb. Lifting Capacity on Glass and Other Smooth, Nonporous Flat Surfaces
- Visual Red-Line Vacuum Loss Indicator
- Carrying Case Included
- Eligible For Vacuum Cup Exchange Program



ITEM NO. **WN4950**  
Minimum Order: 1 Each

### FHC Wood's Powr-Grip® 8" Flat Surface Vacuum Cup - ABS Handle

- Rust Resistant ABS Pump and Handle
- Provides 125 lb Lifting Capacity on Glass and Other Smooth, Nonporous Flat Surfaces
- Visual Red-Line Vacuum Loss Indicator
- Carrying Case Included



ITEM NO. **WN4000**  
Minimum Order: 1 Each

### FHC Wood's Powr-Grip® 9" Curved Surface Vacuum Cup

- Quickly Attaches to Non-Porous Flat and Curved Surfaces
- Red Line Warns of Vacuum Loss
- 150 lb Lifting Capacity
- Storage Case Included



ITEM NO. **WN5450CS**  
Minimum Order: 1 Each

### FHC Wood's Powr-Grip® 9" Flat Surface Vacuum Cup

- 150 Lb. Lifting Capacity on Glass and Other Smooth, Non-Porous Flat Surface
- Durable Metal Handle
- Visual Red-Line Vacuum Loss Indicator
- Carrying Case Included
- Eligible For Vacuum Cup Exchange Program



ITEM NO. **WN5450**  
Minimum Order: 1 Each

### FHC Wood's Any Terrain Glass Dolly

- Move Glass Lites, Patio Doors and Windows on the Jobsite
- Pneumatic Tire Easily Handles Curbs, Doorsills, Scrap Lumber and Other Obstacles
- Equipped with a Powr-Grip Hand Cup

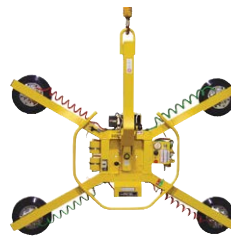


ITEM NO. **ATGD**  
Minimum Order: 1 Each

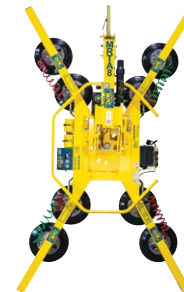


### FHC Wood's Powr-Grip® Vacuum Lifting Frame Rental Program

- Complete Your Large Project and Return Without a Major Investment
- Rent by the Week



ITEM NO. **WMRT411LDC**  
Minimum Order 1 Each



ITEM NO. **WMRTA811LDC3**  
Minimum Order 1 Each



ITEM NO. **WP11104DC3**  
Minimum Order: 1 Each

For Availability and rental rates please contact FHC at **(888) 295-4531** or email us at [woodsrental@fhc-usa.com](mailto:woodsrental@fhc-usa.com).

Wood's Powr-Grip is a registered trademark of Wood's Powr-Grip, Inc.

visit [fhc-usa.com](http://fhc-usa.com) to search for

**Vacuum Cups**



Enter the Item Number or scan QR code with your smartphone for complete product details



4361 Firestone Blvd. South Gate, CA 90280  
Toll Free: **(888) 295-4531** | Direct: **(323) 968-2031**  
Fax: **(323) 336-8307** | [fhc-usa.com](http://fhc-usa.com)



## FHC Glass Tools, Supplies and Equipment

### FHC Roller Tools

- Great for Roll-In Gaskets and Glazing Vinyl In Base Shoe
- Manufactured with a Precision Bearing and Nylon Wheel
- Knurl Non-Slip Hand Grip
- 11" and 17" Long Heavy-Duty Multi-Use Roller Tools



ITEM NO. **VRT10**  
11" Polymer Handle  
Minimum Order 1 Each

**BEST  
SELLER**

ITEM NO. **VRT17**  
17" Extra Long Aluminum Handle  
Minimum Order: 1 Each

### FHC Plastic Glazier's Stick With Tapered Ends

- Tapered Ends on Both Sides With Endless Uses
- Won't Scratch or Harm Glass or Metal Surfaces
- Great for Tooling Silicone, Pushing Vinyl, Mixing, Prying, and Adjusting Glass
- Made From High Strength Engineered Polymer
- A Glazers Must Have With Endless Uses On Job Sites



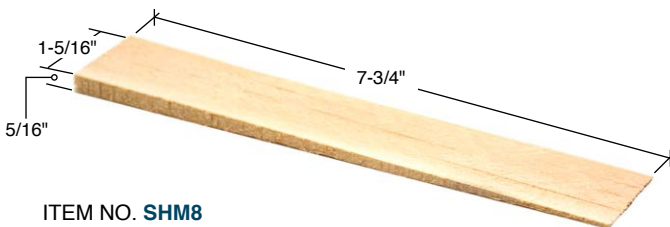
ITEM NO. **FHC778**  
Minimum Order: 1 Each

### FHC Wood Shims

- Best Snap of Any Wood Shim
- Easy to Cut and Resists Splitting When Nailed or Screwed
- Clean, Consistent, Dependable Quality
- 100% Kiln Dried Shims - No Mold or Rot
- Thin-Feathered Tips
- Used When Installing Doors, Windows, Cabinets, Counter-tops, and Other Building Applications
- Shims are Available in 7-3/4" and 11-3/8" Lengths

Chat With FHC On Our Website  
to Get Real Time Expert Support  
from Knowledgeable Reps

**Chat With Us!**



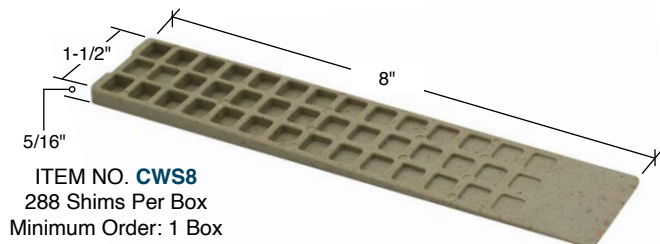
ITEM NO. **SHM8**  
84 Shims Per Box  
Minimum Order: 1 Box



ITEM NO. **SHM12**  
36 Shims Per Pack  
Minimum Order: 1 Pack

### FHC Wood Composite Tapered Shims

- Excellent for External Use
- Composite Shims are Waterproof and Resist Mold and Mildew
- Cleaner and Easier to Snap Than Traditional Wood Shims



ITEM NO. **CWS8**  
288 Shims Per Box  
Minimum Order: 1 Box



**THE GLAZING SUPPLY COMPANY**  
EXPERIENCE AND INNOVATION



visit [fhc-usa.com](http://fhc-usa.com) to search for

Tools



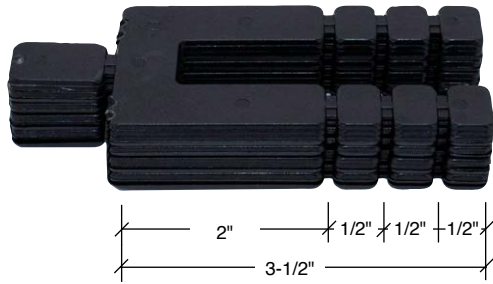
Enter the Item Number or scan QR code with your smartphone for complete product details



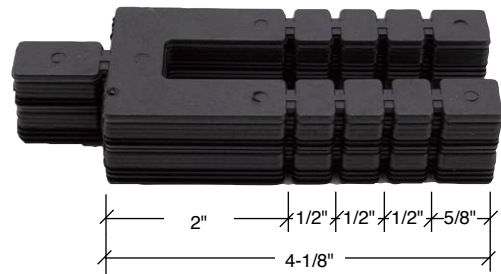
## FHC Glass Tools, Supplies and Equipment

### FHC Shimstack Shims

- Adjustable Lengths and Thickness
- Unaffected by Ground Chemicals and Will Not Rust, Rot, Stain or Leach
- Excellent Comprehensive Strength
- Two Lengths: 3-1/2" and 4-1/8" Available
- 1000 Shims Per Pack
- Thickness 1/16" to 1" (Stacked)



ITEM NO. **PSS16S**  
Minimum Order: 1 Pack



ITEM NO. **PSS16L**  
Minimum Order: 1 Pack

### FHC Plastic Horseshoe Shims

- Color Coded for Easy Thickness Identification
- Use When Installing Windows, Doors, Storefronts, Curtain Walls, etc.
- 100 Shims Per Pack
- Three Different Lengths Available As Well As 4" Jumbo



**Blue**  
1/16" Thick

**Red**  
1/8" Thick

**Black**  
1/4" Thick

ITEM NO.	COLOR	SIZE (T x L x W)
HSS6	Blue	1/16" x 2" x 1-1/2"
HSS26	Blue	1/16" x 3" x 2-1/4"
HSS16	Blue	1/16" x 3-1/2" x 1-1/2"
HSS8	Red	1/8" x 2" x 1-1/2"
HSS28	Red	1/8" x 3" x 2-1/4"
HSS18	Red	1/8" x 3-1/2" x 1-1/2"
HSS4	Black	1/4" x 2" x 1-1/2"
HSS24	Black	1/4" x 3" x 2-1/4"
HSS14	Black	1/4" x 3-1/2" x 1-1/2"

Minimum Order: 1 Pack (100 Per Pack).

### FHC Jumbo Size Plastic Horseshoe Shims

- Color Coded for Easy Thickness Identification
- Large 4" x 3" Size



**Blue**  
1/16" Thick

**Red**  
1/8" Thick

**Black**  
1/4" Thick

ITEM NO.	COLOR	SIZE (T x L x W)
HSS36	Blue	1/16" x 4" x 3"
HSS38	Red	1/8" x 4" x 3"
HSS34	Black	1/4" x 4" x 3"

Minimum Order: 1 Pack (100 Per Pack).

### FHC Aluminum Horseshoe Shims

- Fireproof Aluminum Shims Meet With Building Codes and Regulations
- 3" Long Aluminum Shims are Available in 1/6", 1/8" and 1/4" Thicknesses
- 100 Shims Per Pack

ITEM NO.	SIZE (T x L x W)
HSSA66	1/16" x 3" x 2"
HSSA68	1/8" x 3" x 2"
HSSA64	1/4" x 3" x 2"

Minimum Order: 1 Pack (100 Per Pack).



### FHC Clear Horseshoe Shims

- Translucent Plastic Hides the Existence of the Shim
- Available in Three Thicknesses
- 100 Shims Per Pack

ITEM NO.	SIZE (T x L x W)
HSSC16	1/16" x 3-1/2" x 1-1/2"
HSSC18	1/8" x 3-1/2" x 1-1/2"
HSSC14	1/4" x 3-1/2" x 1-1/2"

Minimum Order: 1 Pack (100 Per Pack).



visit [fhc-usa.com](http://fhc-usa.com) to search for

Shims



Enter the Item Number or scan QR code with your smartphone for complete product details



4361 Firestone Blvd. South Gate, CA 90280  
Toll Free: (888) 295-4531 | Direct: (323) 968-2031  
Fax: (323) 336-8307 | [fhc-usa.com](http://fhc-usa.com)



## FHC Glass Tools, Supplies and Equipment

### FHC Gauntlet Cuff Smooth Natural Rubber Gloves

- Most Popular Glove
- Heavy-Duty Protection In a Universal Size
- Outstanding Wet and Dry Smooth Grip
- Soft Cotton Flannel Linner Provides Comfort and Flexibility



3132X

ITEM NO. **YGG12S**  
Minimum Order 1 Pair

### FHC Gauntlet Cuff Non-Slip Wrinkle Natural Rubber Gloves

- Heavy-Duty Protection In a Universal Size
- Outstanding Wet and Dry Wrinkle Grip
- Soft Cotton Flannel Linner Provides Comfort and Flexibility



3132X

ITEM NO. **YGG12SW**  
Minimum Order 1 Pair

### FHC Fully Coated Nitrile Smooth Grip Low-E Gloves

- Approved for Handling Low-E Glass
- Oil Resistant Nitrile Palm Coating
- Reinforced Cuff and Cotton Linner Increase Safety and Comfort
- Smooth Grip Provides Good Dry Grip



4111X

ITEM NO. **NGG66**  
Minimum Order 1 Pair

### FHC A4 Cut Resistant Nitrile Palm Gloves

- ANSI A4 Cut Resistant
- Nitrile Coating Resists Oil and Grease for Increased Wet and Dry Grip
- Seamless Knit for Increased Dexterity



ANSI CUT



4X42D

ITEM NO.	SIZE
<b>GBG4M</b>	Medium
<b>GBG4L</b>	Large
<b>GBG4XL</b>	Extra Large

Minimum Order: 1 Pair.

### FHC A3 Cut Resistant Hi-Vis Blue Latex Wrinkle Palm Gloves

- Most Popular Fitted Glaziers' Glove
- ANSI A3 Cut Resistant
- 7 Gauge High Visibility Yellow Polyester Shell
- Blue Crinkle Latex Coating
- Acrylic/Polyester Linner Provides Extra Protection and Warmth



ANSI CUT



4111X

ITEM NO.	SIZE
<b>RRWG27S</b>	Small
<b>RRWG27M</b>	Medium
<b>RRWG27L</b>	Large
<b>RRWG27XL</b>	Extra Large

Minimum Order: 1 Pair.

### Atlas® Slip Resistant Latex Palm Work Gloves

- Designed for Optimal Fit and All Day Comfort
- Lightweight Rough Textured Coating Provides Maximum Grip and Dexterity
- Open-Back Ensures Breathability and Reduces Perspiration



ITEM NO.	SIZE
<b>BBGM</b>	Medium
<b>BBGL</b>	Large
<b>BBGXL</b>	Extra Large

Minimum Order: 1 Pair.

Atlas is a registered trademark of Showa Glove Company.



**THE GLAZING SUPPLY COMPANY**  
EXPERIENCE AND INNOVATION



visit [fhc-usa.com](http://fhc-usa.com) to search for

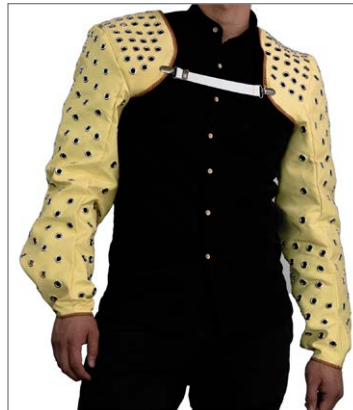
Gloves

Enter the Item Number or scan QR code with your smartphone for complete product details

## FHC Glass Tools, Supplies and Equipment

### FHC 27" Cutguard Protective Shoulder Cap Sleeve

- Kevlar® Twill Provides Level 3 Cut Resistance
- Aluminum Eyelets for Increased Cut Protection and Breathability
- Includes Two Replaceable 9" Alligator Clips to Hold Sleeves Together
- Bound Edges and Snap Wrist Closure
- Made in the USA



ITEM NO.	LENGTH
S30KV27	27"
S30KV29	29"

Minimum Order: 1 Pair.

### FHC Protective Wristlet

- Cut Level 4
- Hook and Loop Closure
- Provides Excellent Cut, Puncture, and Abrasion Protection
- Mesh Provides Extra Comfort
- Available in Both Black and White



7" LENGTH BLACK ITEM NO.	7" LENGTH WHITE ITEM NO.	9" LENGTH BLACK ITEM NO.	9" LENGTH WHITE ITEM NO.	SIZE
S07BM	S07WM	S09BM	S09WM	Medium
S07BL	S07WL	S09BL	S09WL	Large
S07BXL	S07WXL	S09BXL	S09WXL	X-Large

Minimum Order: 1 Pair.

### FHC Protective Cut Resistant Sleeves



- Protects the Arms Vital Areas with a Level A4 Cut Resistance
- Excellent Comfort and Flexibility
- Elastic Thumb Loop to Assure Wrist Coverage
- Launderable for Re-Use
- Available in 10" and 14" Lengths

ITEM NO.	LENGTH
PPS4510	10"
PPS4514	14"

Minimum Order: 1 Pair.

### FHC Disposable Ear Plugs

- High Quality Foam
- One Size Fits-All
- Bulk Pack



ITEM NO.	DESCRIPTION
RFP70	50 Pairs Per Pack
RFP90	200 Pairs Per Pack

Minimum Order: 1 Pack.

### FHC Universal Earmuff Ear Protection

- High Quality Hearing Protection
- Padded Headband



ITEM NO. **RSL0130CS**  
Minimum Order: 1 Each

### FHC Safety Vest

- Reflective Stripes and Contrasting Trim Greatly Increases Visibility
- 2" Silver Tape Reflective Material and One Horizontal Stripe
- 100% Polyester Mesh
- Meets ANSI/ISEA 107-2015 Standards



GREEN ITEM NO.	ORANGE ITEM NO.	SIZE
RSV22LG	RSV22L0	Large
RSV22XLG	RSV22XL0	X-Large
RSV22XXLG	RSV22XXL0	XX-Large

Minimum Order: 1 Each.

### FHC Hard Hats

- Adjustable Strap
- Universal Fit



ITEM NO.	COLOR
RGPH4W	White
RGPH4B	Blue
RGPH4Y	Yellow

Minimum Order: 1 Each.

### FHC Safety Eyewear



Visit [fhc-usa.com](http://fhc-usa.com) for the Largest Offering of Protective Eyewear in the Glazing Industry.

Kevlar is a registered trademark of Dupont Safety and Construction Inc.

visit [fhc-usa.com](http://fhc-usa.com) to search for

Protection Equipment

Enter the Item Number or scan QR code with your smartphone for complete product details



4361 Firestone Blvd. South Gate, CA 90280  
Toll Free: (888) 295-4531 | Direct: (323) 968-2031  
Fax: (323) 336-8307 | [fhc-usa.com](http://fhc-usa.com)

**FHC**  
FRAMELESS HARDWARE COMPANY

## FHC Glass Tools, Supplies and Equipment

### FHC S150 Series Acetic Cure Silicone Sealant

- Excellent Adhesion to Glass - Professional Grade
- Window and Door Approved
- Mildew Resistant, For Interior and Exterior Use
- Non-Sag & Slump- Easy Tooling and Easy Cleaning
- Available in Five Colors
- Acetic Cure Sealant
- 10.1 Fl. Oz. Cartridge



**BEST  
SELLER**

ITEM NO.	COLOR
S150C	Clear
S150W	White
S150BRZ	Bronze
S150AL	Aluminum
S150BL	Black

Minimum Order: 1 Each.



### FHC S1000C Series TRU-Clear Silicone Sealant

- Offers Exceptional Clarity
- Professional Grade 100% Acetic Silicone
- Quick Cure Waterproof Sealant
- For Interior Use
- Acetic Cure Sealant
- 10.1 Fl. Oz. Cartridge



Chat With FHC On Our Website  
to Get Real Time Expert Support  
from Knowledgeable Reps

**Chat With Us!**



ITEM NO. **S1000C**  
Minimum Order: 1 Each

### FHC S450 Series RTV Neutral Cure Silicone

- Superior Adhesion to KYNAR® Coated Materials
- Excellent Adhesion to Glass - Professional Grade
- Window and Door Approved
- UV Resistant / Non-Yellowing
- Available in Five Colors
- Compatible for Insulated and Laminated Glass
- Neutral Cure Sealant, Low Odor Formula  
AAMA Approved
- 10.1 Fl. Oz. Cartridge



ITEM NO.	COLOR
S450C	Clear
S450W	White
S450BRZ	Bronze
S450AL	Aluminum
S450BL	Black

Minimum Order: 1 Each.



### FHC S790 Series Neutral Cure Silicone Building Sealant

- Excellent Primerless Adhesion
- Waterproofing Applications
- Plus/Minus 50% Joint Width Movement
- Interior / Exterior Use, Non-Paintable
- Long Tooling Time
- AAMA Approved Neutral Cure  
Silicone Sealant
- 10.1 Fl. Oz. Cartridge



ITEM NO.	COLOR
S790W	White
S790BRZ	Bronze
S790BL	Black

Minimum Order: 1 Each.



KYNAR is a registered trademark of Elf Atochem North America, Inc.



**THE GLAZING SUPPLY COMPANY**  
EXPERIENCE AND INNOVATION



visit [fhc-usa.com](http://fhc-usa.com) to search for

**Silicone**



Enter the Item Number or scan QR code with  
your smartphone for complete product details

## FHC Glass Tools, Supplies and Equipment

### FHC COX® Wexford Easiflow Heavy-Duty 7 to 1 Ratio Caulking Gun

- Exceptional Quality at An Economical Price
- Most Popular Dispenser for Low Viscosity Sealants



ITEM NO. **CC41R**  
Minimum Order: 1 Each

### FHC COX® Chilton PowerFlow 12 to 1 Ratio Deluxe Strap Frame Caulking Gun

- For Standard Cartridges
- Seal Puncture Device Built Into the Handle
- Rotating Barrel



ITEM NO. **CC41**  
Minimum Order: 1 Each

### FHC COX® Chilton PowerFlow HP 18 to 1 Ratio Extra Thrust Strap Frame Caulking Gun

- Ideal Choice for Medium and High Viscosity Sealants
- Convenient Switchable Pressure Relief Device



ITEM NO. **CC41XT**  
Minimum Order: 1 Each

### FHC COX® Avon 300 PowerFlow Caulking Gun

- Can Be Used for Sausage Packs, 10 Oz. Cartridges or Bulk
- Its Versatility Makes This a Very Popular Gun



ITEM NO. **CC51**  
Minimum Order: 1 Each

### FHC Albion Skelton Frame Caulking Gun

- Lightweight
- Smooth and Comfortable Trigger
- Tool Features: Puncture Wire and Ladder Hook
- For 10 Oz. Cartridges



ITEM NO. **AB1**  
Minimum Order: 1 Each

### FHC COX® Ascot Ultra Flow 25 to 1 Ratio Strap Frame Caulking Gun

- 25:1 Ratio Provides Effortless Dispensing of High Viscosity Sealants
- Epoxy Coated Aluminum Handle and Anodized Rotating Frame for Increased Durability



ITEM NO. **CC412T**  
Minimum Order: 1 Each

### FHC COX® Avon 600 Caulking Gun With Hook

- Used With Standard Cartridges or Sausage Packs
- Lightweight Aluminum
- Includes Three Extra Nozzles



ITEM NO. **CC511H**  
Minimum Order: 1 Each



ITEM NO. **CCYC1**  
FHC COX Yellow Cone Plastic Nozzle For Caulk Sausage Guns

### FHC Albion 12V Cordless Caulking Gun

- 400 lbs of Dispensing Force
- Dispenses a 10 oz. Cartridge In 16 Seconds
- Long Lasting 12 Volt Lithium-Ion Battery
- One Charge can Dispense Up to 40 Cartridges
- Dial with Various Speeds and Auto-Reverse
- Features: Cartridge Puncture Wire, Swivel Carriage, Ladder Hook and Battery Gauge
- Includes Gun, Charger and 12V Lithium Battery



ITEM NO. **AE12**  
Minimum Order: 1 Each

Cox is a registered trademark of PC Cox Limited Corporation.

visit [fhc-usa.com](http://fhc-usa.com) to search for

Caulking Guns

Enter the Item Number or scan QR code with your smartphone for complete product details



4361 Firestone Blvd. South Gate, CA 90280  
Toll Free: (888) 295-4531 | Direct: (323) 968-2031  
Fax: (323) 336-8307 | [fhc-usa.com](http://fhc-usa.com)



## FHC Glass Tools, Supplies and Equipment

### Loctite® Metal Contact Cement

- Provides a 60 Second Fixture Time and 24 Hour Final Cure
- Delivers Great Performance with a Shear Strength of 2200 PSI and Tensile Strength of 4900 PSI
- Use Primer Item No. LT7649
- Comes in a 50 ml Bottle



ITEM NO. **LT32629**  
Minimum Order: 1 Each

### Loctite® 60 Second Primer

- 60 Second Activation Time
- Compatible with Metal Materials
- For use with Metal Contact Cement Item No. LT32629
- 1.75 fl oz Bottle



ITEM NO. **LT7649**  
Minimum Order: 1 Each

### Loctite® 5 Minute Primer

- For use With Acrylic
- Comes in a 4.5 oz Aerosol Can
- Used with Metal Contact Cement Item No. LT32629



ITEM NO. **LT7387**  
Minimum Order 1 Each

### Loctite® Superbond® Adhesive

- Compatible with Metal, Plastic and Rubber Materials
- 20 second Fixture Time and 24 Hour Final Cure
- Delivers Great Performance: Shear Strength of 2750 PSI, Tensile Strength of 1740 to 3625 PSI and Peel Strength of 2.8 PLI
- Operating Temperatures Are -65 F to +250 F
- 1 oz Bottle



ITEM NO. **LT49550**  
Minimum Order: 1 Each

### Loctite® Threadlocker

- Locks Threads and Prevents Loosening
- Fights Corrosion
- Tensile Strength of 110 PSI
- Operating Temperatures Are -65 F to +300 F
- Comes in a 9 g Stick



ITEM NO. **LT37684**  
Minimum Order: 1 Each

### Loctite® Threadlocker

- Removable Effective Strong Bond
- Locks and Protects Threads
- Helps Prevent Rust Buildup
- Performs Up to 360-degrees F
- .5 ml Size Ideal for Single-Job or Smaller Periodic Needs



ITEM NO. **LT24205**  
Minimum Order: 1 Each

### Loctite® Clear Poxy-Pak Two-Part Epoxy

- Sets in 5 Minutes and Achieves Full Strength in 1 Hour
- Bonds Virtually Any Material
- High Temperature Resistance
- Repairs, Fills and Seals Holes, Cracks and Worn Surfaces
- Sandable and Paintable



ITEM NO. **LT1324007**  
Minimum Order: 1 Each

Loctite and Superbond are registered trademarks of Henkel Corporation.



**THE GLAZING SUPPLY COMPANY**  
EXPERIENCE AND INNOVATION



visit [fhc-usa.com](http://fhc-usa.com) to search for

**Adhesives**

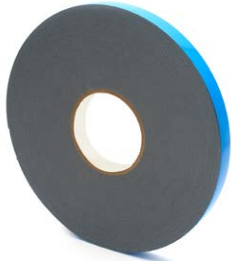


Enter the Item Number or scan QR code with your smartphone for complete product details

## FHC Glass Tools, Supplies and Equipment

### FHC PVC Very Hi-Bond Adhesive Tape

- Excellent to Install Cladding On Base Shoes and Architectural Metal Applications
- 108' Rolls (Double Sided)
- Acrylic Grey .043 x 3/4" Very Hi-Bond Tape



ITEM NO.	SIZE
CT040	.043" x 3/4" x 180'

Minimum Order: 1 Roll.

### FHC Blue Pro Grade Masking Tape

- Blue Tape Now with Bloc-It Clean Line Technology
- Clean Removal With No Adhesive Residue



ITEM NO.	SIZE
BT34	3/4" x 180'
BT1	1" x 180'
BT112	1-1/2" x 180'
BT2	2" x 180'

Minimum Order: 1 Roll.

### FHC PVC Very Hi-Bond Adhesive Tape

- Excellent to Install Cladding
- Double Sided Very Hi-Bond PVC Tape with Orange Backing
- Universal Usage for Many Applications



ITEM NO.	SIZE
HBT110	1" x .010" x 180'

Minimum Order: 1 Roll.

### FHC Orange Contractor Grade Masking Tape

- Orange Tape Offers Superb Paint Lines With Up To 1 Day Clean Removal
- Excellent Quick-Stick, Panel Adhesion and Holding Properties

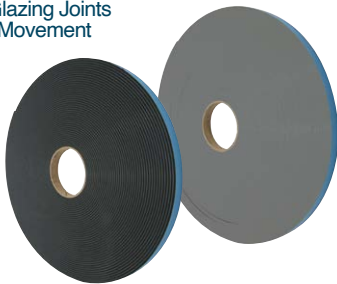


ITEM NO.	SIZE
OT34	3/4" x 180'
OT1	1" x 180'
OT112	1-1/2" x 180'
OT2	2" x 180'

Minimum Order: 1 Roll.

### Norseal® Double Sided Foam Glazing Tape

- Easy-Peel PE Liner, Does Not Tear Like Paper Liners
- Closed-Cell, Polyvinyl Chloride Foam Glazing Tape
- Excellent Resistance to Weathering, Oxidation and Ultraviolet Light
- Ideal for Glazing Joints with High Movement
- Compatible With Most Glazing Components
- Exceeds the Requirements of AAMA 810.1

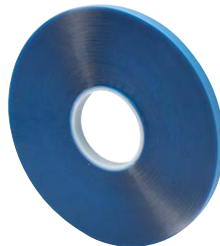


BLACK ITEM NO.	GRAY ITEM NO.	SIZE
V9981412BL	---	1/4" x 1/2" 50'
V99814375BL	---	1/4" x 3/4" x 50'
V99412512BL	V99412512GY	1/8" x 1/2" x100'
V99412538BL	---	1/8" x 1/2" x 100'
V99412575BL	---	1/8" x 3/4" 100'
V99211614BL	---	1/16" x 1/4" x 200'
V992116375BL	V992116375GY	1/16" x 3/8" x 200'
V99211650BL	V99211650GY	1/16" x 1/2" x 200'
V99211675BL	V99211675GY	1/16" x 3/4" x 200'

Minimum Order: 1 Roll.

### FHC Transparent Acrylic Very Hi-Bond Adhesive Tape

- Transparent Very Hi-Bond Tape With Blue Backing
- Use to Adhere Wipes and Seals to Glass Edge



ITEM NO.	Caps
HBT142036	1/4" x .020" x 36'
HBT1420	1/4" x .020" x 216'
HBT144036	1/4" x .040" x 36'
HBT1440	1/4" x .040" x 108'
HBT124036	1/2" x .040" x 36'
HBT1240	1/2" x .040" x 108'

Minimum Order: 1 Roll.

### FHC Double Sided Acrylic Foam Tape

- High Tack Adhesive for Interior or Exterior Use
- Use on Smooth or Irregular Surfaces
- Great with Glass, Metals, Plastics, Mirrors, and Other Surfaces



BLACK ITEM NO.	WHITE ITEM NO.	SIZE
FHC423212	FHC213212	1/32" x 1/2" x 216'
FHC421612	FHC211612	1/16" x 1/2" x 108'
FHC421634	FHC211634	1/16" x 3/4" x 108'
FHC420812	---	1/8" x 1/2" x 50'

Minimum Order: 1 Roll.

Norseal is a registered trademark of Saint-Gobain

visit [fhc-usa.com](http://fhc-usa.com) to search for

Tapes



Enter the Item Number or scan QR code with your smartphone for complete product details



4361 Firestone Blvd. South Gate, CA 90280  
 Toll Free: (888) 295-4531 | Direct: (323) 968-2031  
 Fax: (323) 336-8307 | [fhc-usa.com](http://fhc-usa.com)



## FHC Glass Tools, Supplies and Equipment

### FHC Glass Cleaner

- Ammonia-Free / Clean Fresh Fragrance
- Leaves No Residue "Streak-less Shine"
- Great for Windows, Mirrors, Windshields, and Other Surfaces
- Evaporates Quickly
- Case of 12, 19 Oz. Spray Cans



Private Label Available

ITEM NO. **GW19**  
Minimum Order: 1 Case

### FHC Glass Cleaner Ammoniated Formula

- Ammoniated / No Hazing or Streaking
- Great for Windows, Mirrors, Windshields, and Other Surfaces
- Dissolves Grit, Dirt, Grease and Grime
- Case of 12, 19 Oz. Spray Cans



Private Label Available

ITEM NO. **GWA19**  
Minimum Order: 1 Case

### FHC Heavy-Duty Glass Wipes

- Heavy-Duty, Lint Free and Highly Absorbent
- High Performance Wipes Maintain Their Strength Wet or Dry
- Convenient Interfold Pop-Up Dispenser
- Each Box Has 150 Wipes

Lint Free & Heavy-Duty



ITEM NO. **FHC3255**  
Minimum Order: 1 Box

### FHC Glass Cleaner Concentrate

- Produces 10 Gallons of Glass Cleaner for Every Gallon of Concentrate
- Leaves No Film On Surface
- Ammoniated



ITEM NO. **CGC1**  
Minimum Order: 1 Each

### FHC All Purpose Solvent

- Softens and Removes Uncured Urethane, Tar, Adhesive, Oil, Grease, Body Sealer and Undercoating
- Contents One Quart (.9461)



ITEM NO. **APS1**  
Minimum Order: 1 Each

### FHC Co-Polymer Glass Surface Protector

- Great for Shower Glass, Windows, Counter Tops, Sinks, Fixtures, Back splashes and Wall Tiles
- Bonds to the Surface Molecular Structure
- Easy to Apply With Use of Applicator Pad APAD1 (Included)
- Contents 16 Fl. Oz.

BEST SELLER



ITEM NO.	DESCRIPTION
<b>GSP16</b>	Glass Surface Protector Kit (16 oz.)
<b>APAD1</b>	Replacement Applicator Pad

Minimum Order: 1 Each.



THE GLAZING SUPPLY COMPANY  
EXPERIENCE AND INNOVATION



visit [fhc-usa.com](http://fhc-usa.com) to search for

Glass Cleaners

Enter the Item Number or scan QR code with your smartphone for complete product details



## FHC Glass Tools, Supplies and Equipment

### FHC Scrubs In-A-Bucket Pre-Moistened Towels

- Easy Pop and Pull On Demand Dispenser With 72 Towels
- Removes, Grease, Paint, Caulk, Tar, Oils, Dirt, Ink, Dye, Sealants & More
- Rough Texture Aids to Clean-Up and Trap Industrial Soil
- Pleasant Citrus Scent



ITEM NO. **SB222**  
Minimum Order: 1 Each

### FHC Bio-Clean Hard Water Stain Remover

- Use When Cleaning Glass, Windows, Tile, Fiberglass, Porcelain and More
- Uniquely Made From a Non-Chemical Compound
- Simply Apply in a Circular Motion
- Contents 20 Oz.



ITEM NO. **BC20**  
Minimum Order: 1 Each

### FHC Bituminous Substrate Primer

- Creates a Barrier to Prevent Electrolytes and Corrosion Occurring When Base Shoe, Posts, Railings, or Stanchions are Embedded in Concrete
- 3 Gallon Pail



ITEM NO. **B3GL**  
Minimum Order: 1 Each

### FHC All Purpose Dry Lubricant & Release Agent

- Stops Squealing, Sticking, and Binding
- Dries Rapidly; Leaves No Greasy or Oily Film
- Protects and Preserves Equipment and Delays Corrosion
- Saves Time and Labor, Eliminates Sticking Problems
- Prevents Power Tools From Binding
- Heat-Stable Release Agent
- 12 Cans Per Case
- Made in the USA



ITEM NO. **SW077**  
Minimum Order: 1 Each

### FHC Professional Grade Metal Lube

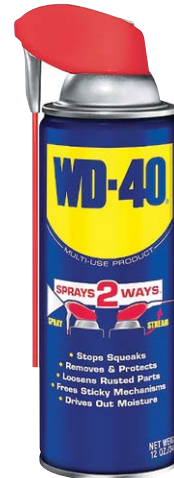
- Thousands of Uses, Lubricates and Prevents Rust
- Contains No Silicones
- Great for Hinges and Rollers
- Contents 11 Oz.



ITEM NO. **ML16**  
Minimum Order: 1 Each

### WD-40®

- WD-40 Multi-Use Product, 12 Oz.
- Acts As A Corrosion Inhibitor To Shield Against Moisture And Other Corrosive Elements To Prevent Rust
- Lubricates Moving Parts Such As Hinges, Wheels, Pulleys, Rollers, Chains, And Gears



ITEM NO. **WD40**  
Minimum Order: 1 Each

WD-40 is a registered trademark of WD-40 Manufacturing Company.

visit [fhc-usa.com](http://fhc-usa.com) to search for

Cleaners



Enter the Item Number or scan QR code with your smartphone for complete product details



4361 Firestone Blvd. South Gate, CA 90280  
Toll Free: (888) 295-4531 | Direct: (323) 968-2031  
Fax: (323) 336-8307 | [fhc-usa.com](http://fhc-usa.com)



## FHC Glass Tools, Supplies and Equipment

### FHC Stainless Steel Cleaner

- Rust Removal, Passivation, and Cleaning for Stainless Steel.
- 22-Ounce Bottle With A Convenient Trigger Sprayer
- Treats Up to 90 Square Feet of Surface Area.



**NEW**

ITEM NO. **CS77P**  
Minimum Order: 1 Each

### FHC Treated Polishing Cloth

- Cleans and Polishes Brass, Stainless Steel, Aluminum and Chrome
- Infused Coconut Oil Provides a Bright Luster and Pleasant Smell
- One 7" x 11" Cloth Per Package

**NEW**



ITEM NO. **19PC**  
Minimum Order: 1 Pack

### FHC Micro Fiber Cloths

- Large 16" X 16" Size
- Traps Dirt and Grime
- Washable & Re-usable
- 4 Per Pack

**NEW**

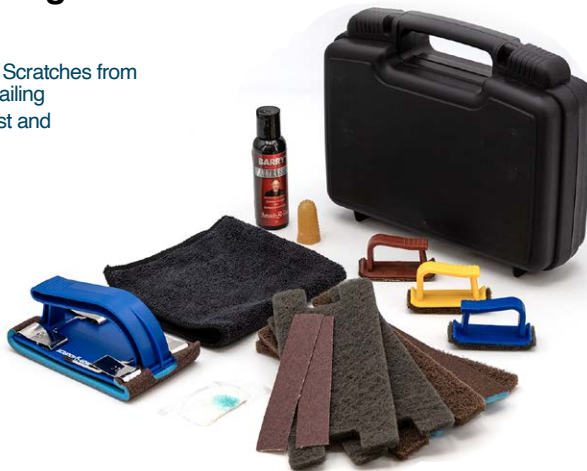


ITEM NO. **MFC16**  
Minimum Order: 1 Pack

### FHC Stainless Railing Restoration Kit

- Removes Scruff and Light Scratches from Brushed Stainless Steel Railing
- Excellent Results With Rust and Discoloration Removal

**NEW**



ITEM NO. **BSR1**  
Minimum Order: 1 Each

### FHC Stainless Surface Protectant

- Clear Acrylic Coating Protects Against Weathering, Corrosion and Harsh Chemicals
- Protects Other Metals Including Aluminum, Brass, Steel and Copper
- 1 Quart



ITEM NO. **32SP**  
Minimum Order: 1 Each

### FHC Micro-Mesh Polishing Sheets

- Used to Remove Light Scratches on Glass Surfaces
- Effective in Removing Heat Stains Caused By Tempering Ovens
- No Additional Water or Abrasive Solutions Required
- 6" x 12" Sheets are Available In Three Sizes



ITEM NO.	DESCRIPTION
<b>MMX6M</b>	6000 Grit Polishing Sheet
<b>MMX8M</b>	8000 Grit Polishing Sheet
<b>MMX12M</b>	12000 Grit Polishing Sheet

Minimum Order: 1 Each.

**NEW**

### FHC Abrasive Finishing Hand Pads

- Fine and Heavy Grit Abrasive
- Great for Hand Cleaning, Finishing and Blending Brushed Stainless Steel Finishes
- Deburrs Metal Edges and Cleans
- 6" x 9" Finishing Pads

**NEW**



ITEM NO.	DESCRIPTION
<b>FHCFF1</b>	Fine Grit Abrasive
<b>FHCAP2</b>	Heavy Grit Abrasive

Minimum Order: 1 Each.



**THE GLAZING SUPPLY COMPANY**  
EXPERIENCE AND INNOVATION



visit [fhc-usa.com](http://fhc-usa.com) to search for

**Cleaners**

Enter the Item Number or scan QR code with your smartphone for complete product details

## FHC Glass Tools, Supplies and Equipment

### FHC Single Edge Razor Blades

- Carbon Steel Construction
- Famous Duro Edge
- Individually Wrapped Blades
- 100 Razor Blades Per Pack
- .09 and .12 Thick Blades Available



ITEM NO. **RB9**  
Premium  
.09 Carbon Steel  
Minimum Order: 1 Pack



ITEM NO. **RB12**  
Heavy-Duty  
.12 Thick Carbon Steel  
Minimum Order: 1 Pack

### FHC Heavy-Duty Utility Blades

- For Professional Use
- Safety Dispenser Included
- Carbon Steel Construction
- Sold in Packs of 100



ITEM NO. **HD2UB**  
Minimum Order: 1 Pack

### FHC Double Edge Plastic Blades

- Durable and Will Not Rust
- Pliable to Prevent Damage to Surface
- 25 Blades Per Pack



ITEM NO. **DSPB9**  
Minimum Order: 1 Pack

### FHC Autoloading Retractable Utility Knife

- Automatic Blade Loading Mechanism
- Heavy-Duty Zinc Alloy Material
- Five Double Ended Heavy-Duty Blades Included Within The On Board Spare Blade Compartment
- Variable Blade Length Settings
- Simply Press Slide Mechanism to Expose the Blade



ITEM NO. **FHCUK1**  
Minimum Order: 1 Each

### FHC Folding Quick Change Blade Utility Knife

- Quick Blade Change
- Fixed Blade Design
- Folds for Convenient Storage
- Includes Six Blades



ITEM NO. **FRUK1**  
Minimum Order: 1 Each

### FHC Deluxe Single Edge Scraper

- Used to Hold Single Edge Razor Blades
- A Safe Option When Using a Razor Blade
- Ideal for Scraping Windows, Paints, Labels and Walls
- Essential Tool for Most Glaziers
- Durable and Easy to Use
- Retractable Blade Sold Separately



ITEM NO. **RBSCR1**  
Minimum Order: 1 Each

### FHC Traditional Retractable Utility Knife

- Traditional Metal Handle Design
- Fully Retractable
- Overlap Nose for Safety
- Includes One Blade



ITEM NO. **MRUK1**  
Minimum Order: 1 Each

### FHC Original PipeKnife®

- Used to Remove Sealant and Caulk
- Provides Extra Reach and Leverage in Tight Spaces
- Blade Storage in Handle
- Available in 14" and 18" Extra Long Lengths
- Uses Blade ITEM NO. HD2UB



ITEM NO. **OPK18XL**  
18" Extra Long Handle  
Minimum Order: 1 Each

ITEM NO. **OPK14**  
14" Handle  
Minimum Order: 1 Each

PipeKnife is a registered trademark of PHC, Inc.

visit [fhc-usa.com](http://fhc-usa.com) to search for

Utility Knives



Enter the Item Number or scan QR code with your smartphone for complete product details



4361 Firestone Blvd. South Gate, CA 90280  
Toll Free: (888) 295-4531 | Direct: (323) 968-2031  
Fax: (323) 336-8307 | [fhc-usa.com](http://fhc-usa.com)



## FHC Glass Tools, Supplies and Equipment

### FHC 1.5 Lb. Dead Blow Hammer

- Dead Blow Impact With Minimal Vibration and Rebound
- Textured Grip Reduces Slippage Risk and Decreases Arm Fatigue



ITEM NO. **DBH15**  
Minimum Order: 1 Each

### FHC 2 Lb. Dead Blow Hammer

- Dead Blow Impact With Minimal Vibration and Rebound
- Textured Grip Reduces Slippage Risk and Decreases Arm Fatigue



ITEM NO. **DBH2**  
Minimum Order: 1 Each

### FHC 1 Lb. Rubber Mallet

- Hardwood Handle With Rubber Head
- Ideal for Installations of Painted or Delicate Materials



ITEM NO. **RM1**  
Minimum Order: 1 Each

### FHC 16 Oz. Hammer Wood Handle Rip Claw

- General Purpose Hammer
- Fully Heat-Treated Head on Polished Bell Face
- Durable Hickory Handle



**NEW**

ITEM NO. **16HMR**  
Minimum Order: 1 Each

### FHC 8 Oz. Soft Face Hammer

- Soft-Face Minimizes Marring
- Hardwood Handle for Increased Durability
- Light Weight for Increased Managability and Reduced Damage Risk



**NEW**

ITEM NO. **8SHMR**  
Minimum Order: 1 Each

### FHC Blue Plastic Glazing Shovel

- Extra Sturdy
- Glass Lifter
- For Shifting Glass or Shimming Under Glass Panels



ITEM NO. **B05165301**  
Minimum Order: 1 Each

### FHC Pryctor Pry Bar

- Ideal for Glaziers Lifting Door Frames While Shimming for Alignment
- Protects Surface, Eliminates Chance of Damage or Marring
- Rubber Coated Fulcrum
- Made in the U.S.A.



ITEM NO. **PRYTR1**  
Minimum Order: 1 Each

### FHC 3-Piece Pry Bar/Scraper Set

- High Quality Steel
- 3 Popular Size's: 9" Pry Bar/Scraper, 7-1/2" Flat Pry Bar, 5-1/2" Flat Pry Bar



ITEM NO. **FHCPB3**  
Minimum Order: 1 Set

### FHC Allen Keys Folding 3 Piece Set Sae / Metric / Torx

- Grey= Metric 1.5mm, 2mm, 2.5mm, 3mm, 4mm, 5mm, 6mm, 8mm
- Red= SAE 5/64", 3/32", 7/64", 1/8", 9/64", 5./32", 3/16", 7/32", 1/4"
- Green= Torx T10, T15, T20, T25, T27, T30, T30



ITEM NO. **AK3ST**  
Minimum Order :1 Set

**FHC**<sup>®</sup>  
FRAMELESS HARDWARE COMPANY

THE GLAZING SUPPLY COMPANY  
EXPERIENCE AND INNOVATION



visit [fhc-usa.com](http://fhc-usa.com) to search for

Tools



Enter the Item Number or scan QR code with your smartphone for complete product details

## FHC Glass Tools, Supplies and Equipment

### FHC GMT Power Tip *Granite, Marble, and Tile* Drill Bits

- Effectiveness on Porcelain Tile has Made these Bits a Favorite with Glaziers
- Specially Designed Carbide Tip for Stone, Ceramic and Porcelain Tile
- Designed to Be Used With Light-Duty Hammer and Rotary Drill Motors



INSTALLER'S FAVORITE

MOST POPULAR



ITEM NO.	SIZE
GMT18	1/8" x 3"
GMT316	3/16" x 4"
GMT14	1/4" x 4"
GMT38	3/8" x 4-3/4"

Minimum Order: 1 Each.

### Hilti® TE-CX Carbide Head Hammer Drill Bits

- Concrete and Masonry Drill Bit
- Used to Drill Anchor Holes in Reinforced and Unreinforced Concrete
- Can Also Drill Holes for Post-Installed Rebar Connections
- Tungsten Carbide Head
- Four Cutting Edges



ITEM NO.	SIZE
TECX14	1/4" x 8"
TECX38	3/8" x 12"
TECX12	1/2" x 12"

Minimum Order: 1 Each.

### FHC Heavy-Duty Masonry Drill Bits

- For Use in Concrete, Cement, Brick and Stone
- Available in Four Sizes



ITEM NO.	SIZE
MDB2	1/8" x 2-15/16"
MDB3	3/16" x 3-7/8"
MDB4	1/4" x 3-7/8"
MDB6	3/8" x 5-7/8"

Minimum Order: 1 Each.

### FHC Tap Wrench for Tap Sizes 1/4"-1/2"

- 3-1/2" Long
- Sliding T Handle Design
- Use With 1/4" to 1/2" Tap Sizes



ITEM NO. TW1412  
Minimum Order 1 Each

### FHC Combination Drill Bit/Taps

- Combination Drill Bit and Tap
- Available 5/16"-18 or 3/8"-12" Threads
- Cuts Into Metal
- For Use On Steel, Stainless Steel, Aluminum, Brass, Copper
- 1/4" Hex Shank



ITEM NO.	SIZE
CDT516	5/16"-18
CDT38	3/8"-12

Minimum Order: 1 Each.

### FHC Titanium-Nitride Coated Cobalt Steel Taps

- Available 5/16"-18 or 3/8"-12" Threads
- Cuts Into Metal
- For Use On Steel, Stainless Steel, Aluminum, Brass, Copper
- Requires 1/4" Diameter Hole Size in Metal, Reference FHC # 14DB
- Used With Tap Wrench Part # TW1412



ITEM NO.	SIZE
TAP516	5/16"-18
TAP38	3/8"-12

Minimum Order: 1 Each.

### FHC Titanium-Nitride Coated Cobalt Steel Drill Bits

- Jobber Length / Fractional Size Diameter
- Available in 1/4" and 5/16" Diameter
- 4-1/2" Overall Length
- For Drilling into Stainless Steel, Steel and Hardened Steel
- Use With TAP38 for 3/8"-16 thread



ITEM NO.	SIZE
14DB	1/4" Diameter
516DB	5/16" Diameter

Minimum Order: 1 Each.

Hilti is a registered trademark of Hilti Aktiengesellschaft Corporation.

visit [fhc-usa.com](http://fhc-usa.com) to search for

Tools



Enter the Item Number or scan QR code with your smartphone for complete product details



4361 Firestone Blvd. South Gate, CA 90280  
Toll Free: (888) 295-4531 | Direct: (323) 968-2031  
Fax: (323) 336-8307 | [fhc-usa.com](http://fhc-usa.com)

**FHC**<sup>®</sup>  
FRAMELESS HARDWARE COMPANY

## A to Z Product Index

- A**
- Accessories and Tools ..... 135-157
  - AccuMASTER® Digital Caliper ..... 136
  - AccuMASTER® Angle Finder ..... 136
  - AccuMASTER® Pro Level ..... 138
  - ACHIEVE™
  - A1M Series Base Shoe ..... 15
  - A3M Series Base Shoe ..... 16
  - A5M Series Base Shoe ..... 17
  - Base Shoe Sample Sets ..... 14
  - Cladding ..... 18-19
  - Dry Glaze Shim Sets ..... 13
  - End Caps ..... 19
  - Frameless Glass Railing... 08-19
  - Glass Rail Setting Tool ..... 27
  - Installation Tool Kit ..... 12
  - One Seal Gasket ..... 19
  - Spacer Blocks ..... 19
  - ADA Door Closers ..... 122
  - Adams Rite® Electric Strikes... 130
  - Adhesive Tapes ..... 151
  - Adjustable Bottom Pivots ..... 123
  - Adjustable Brackets, Handrailing... 86-87
  - Adjustable Saddles, Handrailing... 67, 70, 73, 86-87
  - Advance Series
  - HERC-DOOR® Patches.. 116-117
  - HERC-DOOR® Rails ..... 114-115
  - All Purpose Lubricant ..... 153
  - All Purpose Solvent Cleaner... 152
  - Allen Keys ..... 156
  - Aluminum
  - Base Shoes ..... 14-17, 20-21
  - Cap Rails ..... 46-51
  - Drain Blocks ..... 24
  - Horseshoe Shims ..... 145
  - Anchors ..... 25, 61, 91, 104
  - Angle Grinder ..... 141
  - Angle Measuring Tools ..... 136
  - Any Terrain Dolly ..... 143
  - Architectural Railing Systems ..... 07-30
  - Awning Brackets ..... XIII
- B**
- Back-to-Back Door Pulls ..... 134
  - Band Saw ..... 141
  - Base Shoe
  - ACHIEVE™ Shims ..... 13
  - Cladding ..... 18, 22, 104
  - Drain Blocks ..... 24
  - End Caps ..... 19, 23
  - Fasteners and Accessories..... 25-29
  - Glass Railing System ... 14-17, 20-21
  - Low Profile ..... 20
  - Quick Reference Guide ..... 14
  - Sample Sets ..... 14
  - Setting Blocks ..... 20-21
  - Smoke Baffle ..... 30
  - Spacer Blocks ..... 19
  - Top Rubber Gasket ..... 19, 23
  - Weld Blocks ..... 24
  - Windscreen ..... 20
  - Wood Mount Angles ..... 25
  - Bio-Clean Water Stain Remover ... 153
  - Bituminous Primer ..... 29, 153
  - Blue Masking Tape ..... 151
  - Bottom Hydraulic Patch Fitting ... 118
  - Bottom Pivot Sets ..... 123
- C**
- Bucket, FHC 5 Gallon ..... 29
  - C-Bore Drill Bit ..... 26
  - Cap Rail
  - Aluminum ..... 46-51
  - Connector Sleeves ..... 35, 37, 39, 41, 43, 45, 47, 49, 51
  - Corners ..... 34, 36, 38, 40, 42, 44, 52
  - Edge Protector ..... 52
  - End Caps ..... 35, 37, 39, 41, 43, 45, 47, 49, 51, 53
  - Internal Splice Sleeves... 46, 48, 50
  - Rectangular Profile ..... 38
  - Roll Formed ..... 34-39
  - Round Profile ..... 34, 46
  - Rubber Gaskets .... 35, 37, 39, 41, 43, 45, 47, 49, 51, 53
  - Splice Sleeves ..... 35, 37, 39, 41, 43, 45, 47, 49, 51, 53
  - Square Profile ..... 36
  - Typical Installation Details... 32
  - V-Cut ..... 40, 42, 44
  - Wall Mount End Caps ... 35, 37, 39, 41, 43, 45, 47, 49, 51, 53
  - Caulking Guns ..... 149
  - Cement and Mixing Accessories ... 20-21, 29
  - Center Lock Keepers ..... 129-130
  - Center Locks ..... 120, 128-130
  - Chalk Line ..... 138
  - Chop Saw ..... 140
  - Cladding ..... 18, 22, 104
  - Cladding Tape ..... 28
  - Clamps ..... 76-77, 105
  - Cleaning Products ..... 152-154
  - Clear Plastic Horseshoe Shims.. 145
  - Clear Silicone ..... 148
  - Clear Very Hi-Bond Acrylic Tape .. 28
  - Closers ..... 122
  - Concrete Anchors ..... 25, 61, 104
  - Connector Sleeves ..... 35, 37, 39, 41, 43, 45, 47, 49, 51, 94, 96-98
  - Construction Master® Calculator... 136
  - Contact Cement ... 53, 82, 98, 150
  - Core Mount Windscreen Clamps ..... 102
  - Cover Flanges ..... 67, 70, 73, 94
  - Custom Services ..... 54
  - Customer Service ..... 02-03
  - Cut Resistant Gloves ..... 146
  - Cylinder Housings ..... 132
- D**
- Dead Blow Hammers ..... 27, 156
  - Dispensing Bottle ..... 29
  - Dollies ..... 139
  - Dome End Caps ..... 93
  - Dorma® Patch Fittings ..... 119
  - Double Arm Glass Fittings ..... 75
  - Double Edge Plastic Blades ... 155
  - Double Sided Tapes ..... 151
  - Drain Blocks for Base Shoe ..... 24
  - Drill Bits ..... 25-26, 61, 157
  - Dry Glaze Railing System... 08-19
- E**
- Electric Strikes ..... 130, 134
  - End Caps ..... 19, 23, 35, 37, 39, 41, 43, 45, 47, 49, 51, 53, 67, 70, 73, 78-81, 93, 96, 98, 104
  - EPDM Roll-In Gasket... 19, 23, 30
  - Epoxy, Two-Part ..... 74, 150
- F**
- Expanding Cement ..... 20-21, 29
  - F-Series Glass Clamps ..... 76, 77
  - F-Series HD Post Railing Systems ..... 63-74
  - Fascia Cladding ..... 18, 22
  - Fascia Mount Brackets ... 68, 71, 74
  - Fascia Mount Drain Blocks ..... 24
  - Fascia Mount Weld Blocks ..... 24
  - FHC Manufacturing ..... 03
  - Finishing Hand Pads ..... 53, 82
  - Flanges for Handrailing ..... 94, 96
  - Flanges for Pipe Railing ..... 67, 70, 73
  - Floor Closer Spindles ..... 122
  - Floor Mount Door Closers ..... 122
  - Floor Mount Free Swing Pivots .. 123
  - Floor Socket with Cap for Handrail.. 94
  - Frameless
  - Glass Fence Clamps... 102-103
  - Glass Fence Hardware .. 99-110
  - Glass Railing Cap Rails... 31-54
  - Glass Railing Systems ..... 07-30
  - Point Supported Railings.. 55-61
  - Windscreen Clamps ..... 102-103
  - Free Swinging Bottom Pivots..... 123
  - Free Flanges for Handrailing .. 94, 96
- G**
- Gambit Laser Lens Tape Measure ..... 137
  - Gaskets ..... 19, 23, 30, 35, 37, 39, 41, 43, 45, 47, 49, 51, 53, 60
  - Gate
  - Closers ..... 122
  - Door Rails ..... 114-115
  - Handles ..... 134
  - Hardware ..... 111-134
  - Hinges ..... 125-126
  - Latches ..... 127
  - Lever Trim ..... 132
  - Locks ..... 119-120, 128-132
  - Panic Exit Device ..... 132-133
  - Patch Hardware ..... 116-121
  - Posts ..... 124
  - Stops ..... 134
  - Strikes ..... 130
  - Typical Installation ..... 113
  - Gates, Custom ..... 112
  - Gforce Scratch Removal System .. 140
  - Glass
  - Brackets ..... 75
  - Clamp Post Systems... 106-109
  - Clamps ..... 76-77, 105
  - Cleaners ..... 152
  - Dollies ..... 139
  - Fittings ..... 75
  - Gate Systems and Hardware ... 111-134
  - Hinges ..... 125-126
  - Mounted Gate Latches ..... 127
  - Mounted Handrail Brackets ..... 86-90
  - Mounted Latch Keeper ..... 131
  - Mounted Lever Lock ..... 131
  - Mounted Pull Handle ..... 134
  - Mounting Pads for Panic... 133
  - Patch Hardware ..... 116-121
  - Rail Setting Tool ..... 27
  - Rail Standoff Fittings ..... 58-60
  - Railing Systems ..... 08-23
- H**
- Setting and Centering Blocks ... 20-21
  - Stabilizing Clamps ..... 105
  - Staging Pads ..... 27, 139
  - Surface Protector ..... 152
  - Windscreen Systems ..... 20, 102-104
  - Wipes ..... 152
  - Glazier Saver Rolling Cart ..... 139
  - Glaziers Stick ..... 144
  - Glazing Gaskets ..... 19, 23, 30
  - Glazing Shovel ..... 156
  - Gloves ..... 146
  - GMT Power Tip Drill Bits ..... 157
  - Grabo® Pro Vacuum Lifter ..... 142
  - Grout/Cement Bag ..... 29
  - Hammers ..... 156
  - Handles ..... 134
  - Handrailing
  - Brackets ..... 86-90
  - Concealed Mounting Lugs ..... 94, 96
  - Connector Sleeves... 94, 96-98
  - Contact Cement ..... 98
  - Corners ..... 92-93, 95
  - Custom Fabrication ..... 54
  - End Caps ..... 93, 96, 98
  - Fittings ..... 92-98
  - Flanges ..... 94, 96
  - Floor Socket with Cap ..... 94
  - Installation ..... 85
  - Internal Splice Corners... 97-98
  - Saddles ..... 91, 94
  - Screws and Anchors ..... 91
  - Square Tube ..... 95-96
  - Tubing ..... 92, 97
  - Handrails, Brackets, Components... 83-98
  - Hanger Bolts ..... 61, 91
  - Heavy-Duty Floor Closer ..... 122
  - Heavy-Duty Pivots ..... 123
  - Heavy-Duty Post Rail Systems ..... 63-82
  - Heavy-Duty Square Base Shoe ..... 16-17
  - Heavy-Duty Windscreen Posts..... 106-109
  - HERC-DOOR® Patch Hardware ... 116-117
  - HERC-DOOR® Rails ..... 114-115
  - HES® 9600 Series Electric Strike ... 134
  - Hex Head Screws ..... 25
  - High Bond Tape ..... 28, 151
  - Hilti® Anchors ..... 25, 61
  - Hilti® Injectable Mortar Adhesive ... 20-21, 28
  - Hilti® TE-CX Carbide Drill Bits ..... 25, 61, 157
  - Hinges ..... 125-126
  - Horizontal Band Saw ..... 141
  - Horseshoe Shims ..... 145
  - Hydraulic Patch Fitting ..... 118
  - Hydraulic Self-Closing Hinges.. 125
- I**
- ICC-ES Evaluation Report ..... 10
  - Impact Sockets ..... 26
  - Injectable Mortar Adhesive... 20-21
  - Installation Tools for Railing ..... 135-157
  - InstaQuote ..... 05
  - Interchangeable Closer Spindles .. 122
  - Interchangeable Cores ..... 132



# A to Z Product Index

**I** Internal Splice Sleeves...46, 97-98

**J** Jumbo Horseshoe Shims ..... 145

**K** Kapro® Laser Levels..... 136  
Keepers..... 120, 129-131  
Kwixset™ Cement.....20-21, 29

**L** L-Squares ..... 137  
Lag Bolts..... 61  
Laser Measuring Tools..... 136  
Levels..... 138  
Lever Handles ..... 131  
Lever Lock Housings ..... 131  
Lever Trim ..... 132  
Lifting Frame Rental Program...143  
Lint Free Wipes ..... 152  
Locks for Gate Systems.. 119-120,  
128-134  
Loctite®  
5 Minute Primer ..... 150  
60 Second Primer ..... 53, 82,  
98, 150  
Metal Contact Cement .. 53, 82,  
98, 150  
Superbond® Adhesive ..... 150  
Threadlocker..... 61, 150  
Two-Part Epoxy ..... 74, 150  
Low Profile  
Base Shoe ..... 20  
Center Locks ..... 120  
Door Rails ..... 114-115  
Patch Fittings..... 116-117  
Lubricants ..... 153

**M** Magnetic Mini Post Level...72, 138  
Makita®  
Angle Grinder..... 141  
Cordless Tile/Glass Saw Kit...141  
Drill ..... 140  
Miter Saw..... 140  
Sanders..... 141  
Saw Blade, 10"..... 140  
Manufacturing Services ..... I  
Marble, Granite, Tile Drill Bits...157  
Masking Tapes..... 151  
Masonry Drill Bits..... 157  
Measuring Tools ..... 137-138  
Metal Contact Cement ..... 53, 82,  
98, 150  
Metal Lube ..... 153  
Micro Fiber Cloths ..... 82, 154  
Micro-Mesh Polishing Sheets... 154  
Mildew Resistant Silicone ..... 148

Mixing Paddle ..... 29  
Mortise Housing ..... 132

**N** Narrow Stile RIM Panic Device.. 132  
Neutral Cure Silicone ..... 28, 148  
Nitrile Gloves ..... 146  
Norseal® Glazing Tapes ..... 151

**O** Online Catalog ..... 04  
Ordering Information ..... 03  
Outside Corner Fascia Bracket ....  
..... 68, 71

**P** Panic Exit Device ..... 132  
Panorama Self-Closing Hinges.. 125  
Partition Posts..... 106-109  
Patch Hardware..... 116-121  
Patch Inserts..... 118  
Personal Protective Equipment.....  
..... 146-147  
Pipe Rail..... 78-81  
Pipeknife® ..... 155  
Plastic Blades ..... 155  
Plastic Glazier's Stick ..... 144  
Plastic Shims ..... 145  
Plate Glass Dolly ..... 139  
Plumb and Level Locator Tools .....  
..... 138  
Point Supported Standoff Fittings  
..... 56-61  
Polaris Soft Close Hinges ..... 126  
Polishing Cloth..... 154  
Pool Gate Hinges and Latches.....  
..... 125-127  
Post  
Caps..... 67, 70, 73  
Gate Hinges..... 125-126  
Glass Fittings ..... 75-77  
Level..... 72, 138  
Mounted Handrail Brackets .....  
..... 86-90  
Partition..... 106-109  
Railing Clamps ..... 110  
Stainless Steel...64-74, 106-109  
Windscreen..... 106-109  
Power Tip Drill Bits ..... 157  
Pry Bars ..... 156  
Pull Handles..... 134  
Push-In Glazing Gaskets.....  
..... 19, 23, 30  
PVC Very Hi-Bond Tapes..... 151

**R** Rail Fasteners and Accessories....

..... 25-29  
Railing Standoffs ..... 58-60  
Railing System Information..... 11  
Razor Blades ..... 155  
Restoration Kit, Stainless Steel .....  
..... 154  
Rigid Glazing Vinyl ..... 30  
RIM Cylinder Housings ..... 132  
RIM Panic Exit Device..... 132  
Rockite™ Cement.....20-21, 29  
Roll Formed Cap Rails.....34-39  
Roller Tools ..... 27, 144  
Roll-In Glazing Gaskets.. 19, 23, 30  
Rubber Mallet ..... 156

**S** "S" Series Square Glass Clamps  
..... 110  
Saddles, Handrail ..... 68, 71, 74  
Saws ..... 140-141  
Scraper ..... 155  
Scratch Removal Kit..... 140  
Screws ..... 25, 61, 74, 91, 104  
Scrubs In-A-Bucket ..... 153  
Sealant Mixing Paddle ..... 29  
Self-Closing Hinges..... 125-126  
Shims ..... 144-145  
Silicone Sealants ..... 28, 148  
Small Format Cores ..... 132  
Smoke Baffle ..... 30  
Socket Head Cap Screws... 25, 61  
Sockets ..... 26  
Splice Sleeves ..... 46  
Squeeze Bottle, 32 Oz. .... 29  
Staging/Positioning Pads... 27, 139  
Stainless Steel Cleaner..... 82, 154  
Stainless Surface Protectant .. 154  
Standoff Cap Wrench..... 60, 62  
Standoff Railing Trim Rings ..... 60  
Standoff Spacers ..... 60  
Standoff Systems ..... 62  
Steel Drill and Tap ..... 157  
Step Drill Bit ..... 26  
Straight Edge Holder ..... 137  
Straight Edges ..... 137  
Suction Cup with Spirit Level.....  
..... 26, 136  
Sunshade.....XII  
Surface Mount  
Electric Strike ..... 134  
Frameless Windscreen Clamps  
..... 102-103  
Handrail Brackets ..... 86-90  
Stanchions..... 67, 70, 73  
Surface Protector ..... 152

**T** Tap Wrench..... 157  
Tape Rules..... 137  
Tapered Door Rails ..... 114-115  
Tapes ..... 28, 151  
Technical Assistance ..... 02  
Titanium-Nitride Drill Bits and Taps  
..... 157  
Tools, Supplies and Equipment.....  
..... 135-157  
Top Patch Gate Fitting..... 118-119  
Traditional Base Shoes ..... 20-21  
Transparent Tapes ..... 151  
TRU Clear Silicone..... 148  
Tube Wax ..... 140  
Tubing  
Handrail..... 92, 95, 97  
Pipe Rail..... 67, 70, 73  
Top Rail ..... 78-81

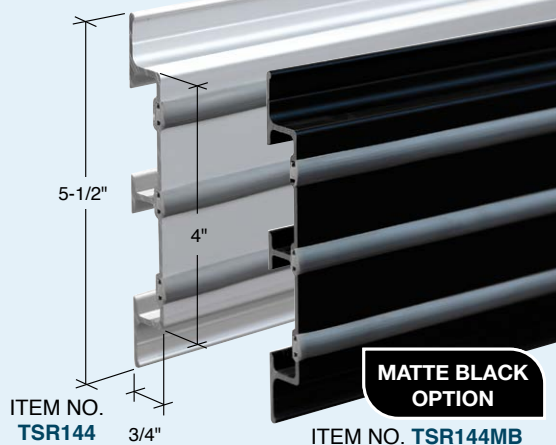
**U** U-Channels for Cap Railing.....  
..... 48-53  
Utility Blades and Knives ..... 155

**V** Vacuum Cup Levels ..... 26-136  
Vacuum Cup Lifters..... 142-143  
Very Hi-Bond Tape ..... 28, 151  
Vinyl Rollers ..... 27, 144

**W** Wall Mount Glass Panel Clamps  
..... 105  
Wall Mount Pivot Bracket ..... 121  
Wall-to-Glass Gate Hinge .....  
..... 125-126  
Water Stain Remover..... 153  
Wax Lube..... 140  
WD-40® ..... 153  
Weld Blocks..... 24  
Wet Glaze System ..... 20-21  
Windscreen  
Base Shoe ..... 20, 104  
Gate Systems ..... 111-113  
Glass Clamps ..... 105, 110  
Posts ..... 106-109  
Wipes, Lint Free ..... 152  
Wood Mount Angles ..... 25  
Wood Shims ..... 144  
Wood's Vacuum Cups..... 143

## Fix Up Your Truck With FHC Aluminum Truck Slats

- Available in Anodized Aluminum and Matte Black Finishes
- Heavy-Duty With Vinyl Glass Cushion Inserts Included
- 12' Stock Lengths



CATALOG FGR24R

# Architectural Railing Systems

05 7000 Architectural and Ornamental Railings

05 7300 Handrails and Railings

08 7160 Fence and Gate Hardware



**HERC-DOOR**  
FRAMELESS HARDWARE CO.

U.S. Patent Nos. 11,060,341 and 11,187,323

**STEINCRAFT**  
ACCESS CONTROL HANDLES

**INTRODUCING**

## FHC STEINCRAFT® Access Control Handles

FOR GLASS, ALUMINUM FRAMED, HOLLOW METAL, & WOOD DOORS

DESIGNED FOR NEW & RETROFIT APPLICATIONS

PANIC, DEADBOLT, ELECTROMAGNETIC EGRESS,  
AND DUMMY HANDLES AVAILABLE

MANY CONFIGURATIONS TO CHOOSE FROM

DESIGNED & MANUFACTURED  
TO YOUR SPECIFICATIONS



**FHC**  
MANUFACTURING  
DESIGNED & MANUFACTURED BY  
FRAMELESS HARDWARE COMPANY



SC01 FRAMELESS HARDWARE COMPANY HEADQUARTERS /WEST  
COST SERVICE CENTER SOUTH GATE, CA



MFG FRAMELESS HARDWARE COMPANY  
MANUFACTURING SOUTH GATE, CA



SC10 FRAMELESS HARDWARE COMPANY  
NORTHWEST SERVICE CENTER KENT, WA



SC22 FRAMELESS HARDWARE COMPANY  
EAST COAST SERVICE CENTER WEST COLUMBIA, SC

**FHC**  
FRAMELESS HARDWARE COMPANY  
THE GLAZING SUPPLY COMPANY  
**FHC-USA.COM**

**THE GLAZING SUPPLY COMPANY**  
EXPERIENCE AND INNOVATION

FRAMELESS HARDWARE COMPANY LLC  
4361 Firestone Blvd. South Gate, CA 90280  
Toll Free: (888) 295-4531 | Direct: (323) 968-2031  
Fax: (323) 336-8307 | Email: [railing@fhc-usa.com](mailto:railing@fhc-usa.com)

