

FHC Advance HERC-DOOR[®] Rail & Patch Rail Fitting

Frameless Glass Entrance Systems

PROFESSIONAL GRADE

HERC-DOOR[®]

FRAMELESS HARDWARE CO.

U.S. Patent Nos. 11,060,341 and 11,187,323

- » Patented Innovative UNITIZING GASKET/ Dual Inclined Control System
- » Easiest and Fastest Rail to Install in the Industry
- » New Modern Crisp Corner Design
- » Class 1 Anodizing UV Stable Finishes That Will Not Fade
- » Increased Glass Bite Improves Holding Strength and Aesthetics
- » Solid One-Piece Aluminum Housing
- » Solid Forged Brass Plated End Caps with New Innovative Anti-Clamshell Pad
- » Available With or Without Lock in a Wide Range of Architectural Finishes
- » For 3/8", 1/2", 5/8" or 3/4" Monolithic Tempered and 9/16", 11/16" or 13/16" Laminated Tempered Glass
- » Seven Standard Architectural Finishes: Polished Stainless, Brushed Stainless, Matte Black, Dark Bronze, Satin Anodized, Polished Brass, and Satin Brass, Plus Custom Powder-Coat



CSI DIVISION 08

SECTION

08 4226

BEST INNOVATION
FOR INSTALLERS



FHC's patented Advance Series HERC-DOOR[®] Frameless Door Rail System is designed, engineered, and manufactured in the U.S.A. Advance Series HERC-DOOR[®] rail and patch fittings provide glaziers and fabricators with faster, and easier installations with accelerated lead times. FHC's design and engineering team has delivered an all-glass entrance system solution that significantly improves on what is perhaps the most-specified rail system on the market.

FHC[®]
FRAMELESS HARDWARE COMPANY

The Glazing
Supply Company

EXPERIENCE AND INNOVATION



4361 Firestone Blvd. South Gate, CA 90280
Toll Free (888) 295-4531 | Fax (323) 336-8307
email architectural@fhc-usa.com
FHC-USA.COM

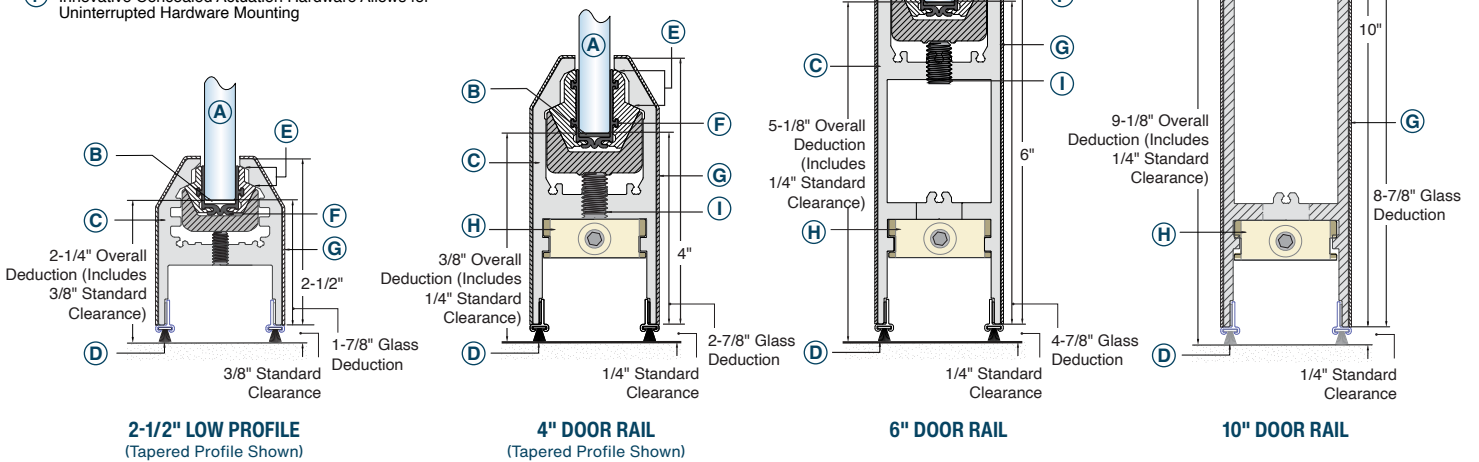


FHC Advance HERC-DOOR® Rail & Patch Rail Fittings Frameless Glass Entrance Systems



DOOR RAIL END VIEW DESCRIPTION

- (A) Monolithic Tempered or Laminated Glass
- (B) FHC Door Rails are Factory Designed to Allow for Vertical Adjustment of Plus 1/16" or Minus 1/16" With Our Included Door Rail Setting Blocks.
- (C) Solid One Piece Rail Housing
- (D) Optional Weatherstripping Seal Sold Separately Item No. RWS36
- (E) U.S. Patent No. 11,060,341 Dual-Inclined Bearing Surface Controls Angularity and Self-Centering of the Rail
- (F) U.S. Patent No. 11,187,323 Unitizing Clamping Gasket
- (G) Cladding Included in Stainless Steel and Brass Finishes
- (H) PAS Pivot Alignment System With Hardware Mounting Block Allows 3/8" Adjustments
- (I) Innovative Concealed Actuation Hardware Allows for Uninterrupted Hardware Mounting



FHC Advance HERC-DOOR® Rails

SQUARE MODEL	TAPERED MODEL	DESCRIPTION	GLASS SIZE
R25S	R25T	2-1/2" Low Profile Door Rail	For 3/8", 1/2", 5/8" or 3/4" Monolithic Tempered and 9/16", 11/16" or 13/16" Laminated Tempered Glass
R4S	R4T	4" Door Rail	For 3/8", 1/2", 5/8" or 3/4" Monolithic Tempered and 9/16", 11/16" or 13/16" Laminated Tempered Glass
R6S	---	6" Door Rail	For 3/8" or 1/2" Monolithic Tempered and 9/16" Laminated Tempered Glass
R10S	---	10" Door Rail	For 3/8", 1/2", 5/8" or 3/4" Monolithic Tempered and 9/16", 11/16" or 13/16" Laminated Tempered Glass

FHC Advance HERC-DOOR® Patch Fittings

SQUARE MODEL	TAPERED MODEL	DESCRIPTION	GLASS SIZE
PR25S	PR25T	2-1/2" Low Profile Patch Fitting	For 3/8", 1/2", 5/8" or 3/4" Monolithic Tempered and 9/16", 11/16" or 13/16" Laminated Tempered Glass
PR4S	PR4T	4" Door Rails Patch Fitting	For 3/8", 1/2", 5/8" or 3/4" Monolithic Tempered and 9/16", 11/16" or 13/16" Laminated Tempered Glass